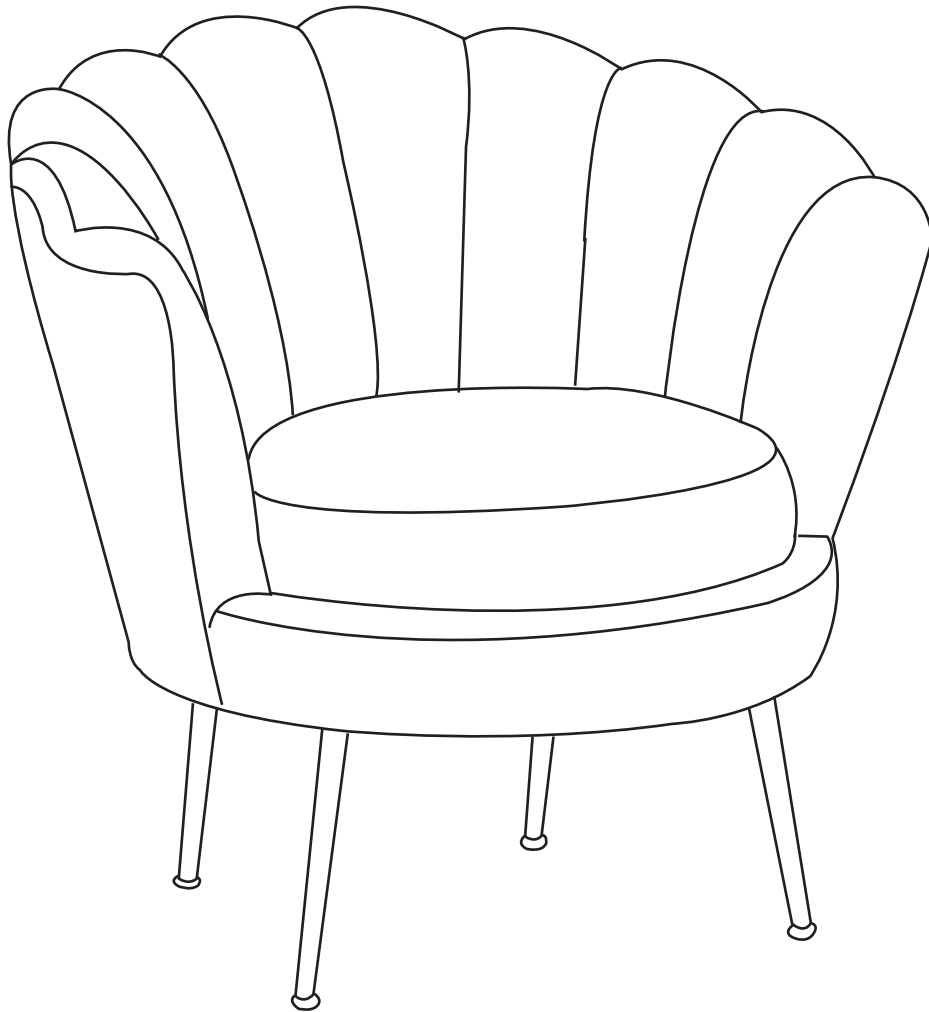
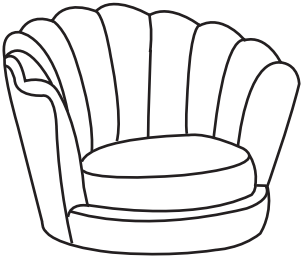
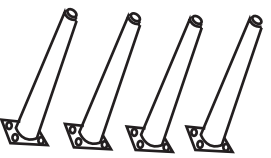
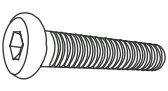
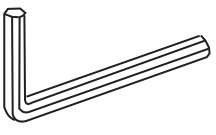
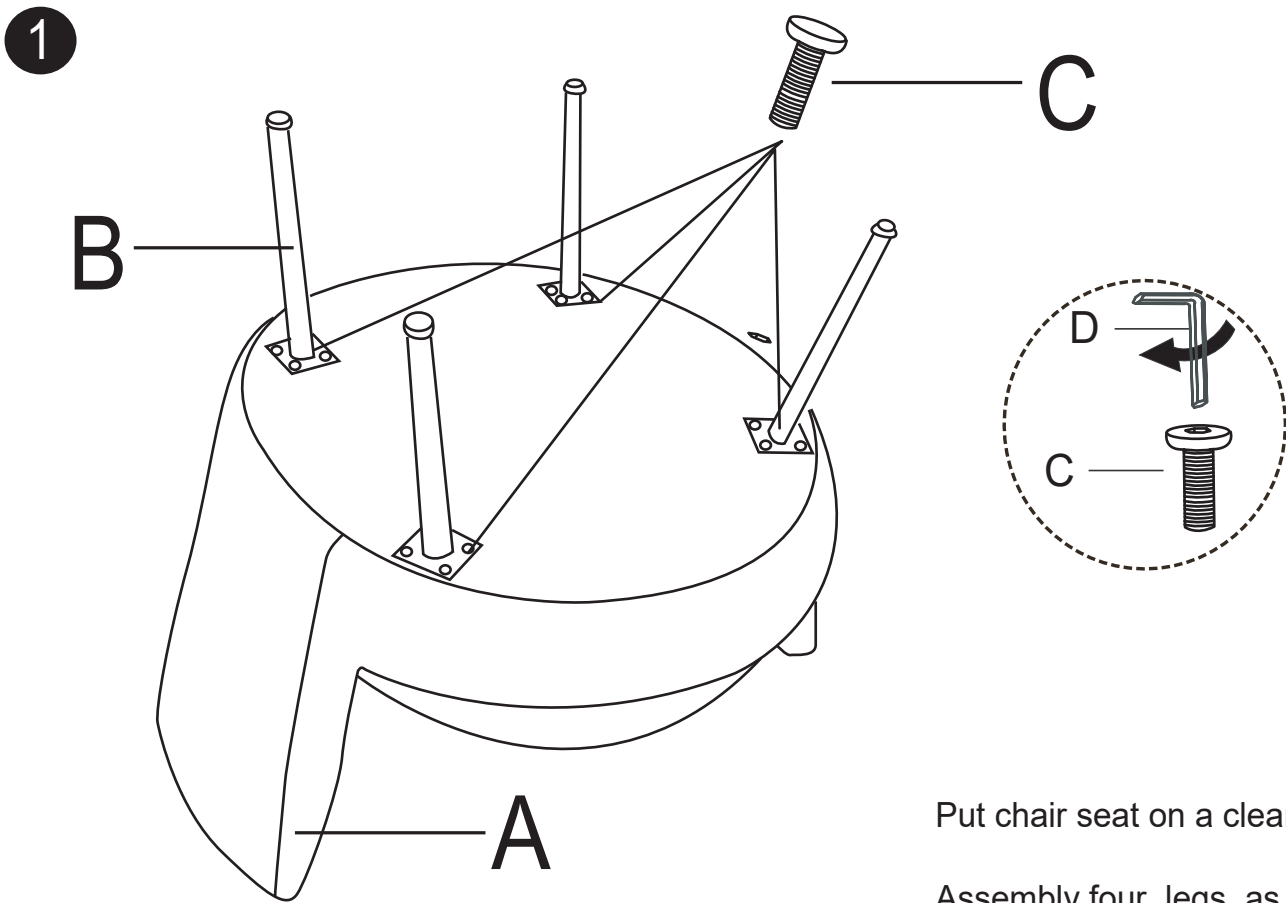


ARM CHAIR UC-17G



<p>A×1</p>  <p>Seat</p>	<p>B×4</p>  <p>Legs</p>	<p>C×16</p>  <p>M6*20CM Screw</p>	<p>D×1</p>  <p>M6 Allen key</p>
--	--	---	--



Put chair seat on a clean flat surface.

Assembly four legs as to the seat as shown in diagram.

