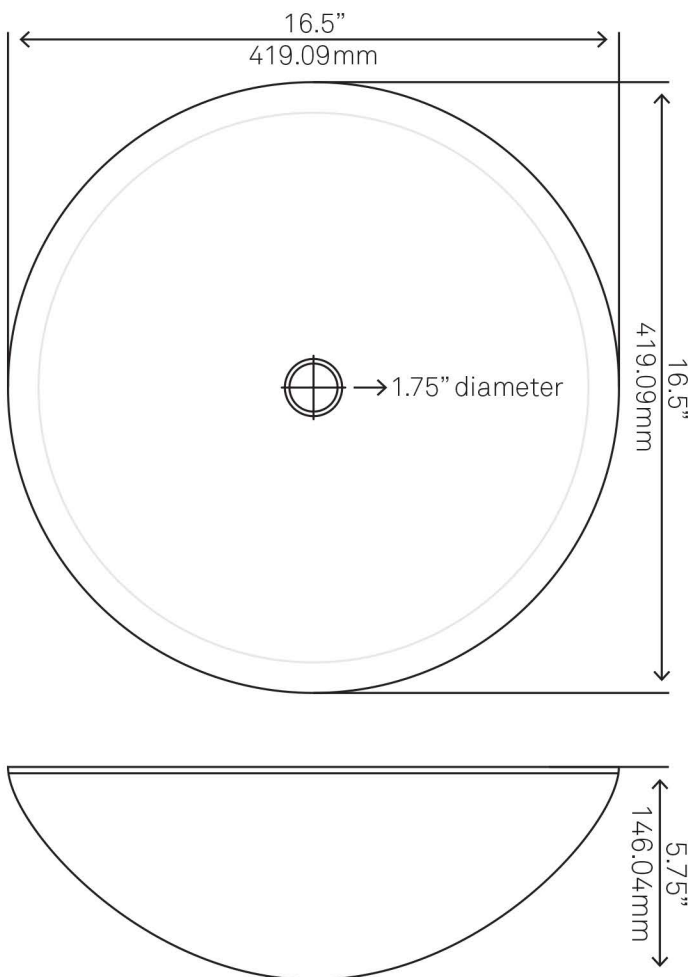




NOHP-G025 MIMETICA Painted Glass Vessel Sink

Requested By: _____

Specific Features: _____



STANDARD SPECIFICATIONS:

- Round hand painted vessel sink
- Dark rich brown camouflage
- High tempered glass
- Stain and scratch resistant inside
- Textured painted outside
- Above counter installation
- Standard U.S. plumbing connection
- Outer dimensions 16.5 x 5.75-inches
- 1.75-inch drain opening
- Novatto faucet and drain sold separately

WARRANTY:

Limited lifetime warranty

- See www.NovattoInc.com for details

COORDINATING ACCESSORIES:

- PUD-BN/CH/ORB pop-up drain
- MR-001BN/CH/ORB
- Glacier Ice Restoration and Sealer kit

NOTES

Novatto reserves the right (1) to make changes in specifications and materials, and (2) to change or discontinue models, both without notice or obligation. Dimensions are for reference only, see www.NovattoInc.com for finish options and product availability.

Novatto Inc
TOLL FREE 844.404.4242
www.NovattoInc.com