



PUD-MB-MR Vessel Sink Pop-Up Drain and Mounting Ring, Matte Black

Requested By: _____

Specific Features: _____

STANDARD SPECIFICATIONS:

- Clicker pop-up vessel sink drain and mounting ring
- Matte Black finish
- Solid brass construction
- Includes rubber seals and fastener for installation
- 9-inches total pop-up length
- Fits any standard 1.75-inch drain opening
- cUPC

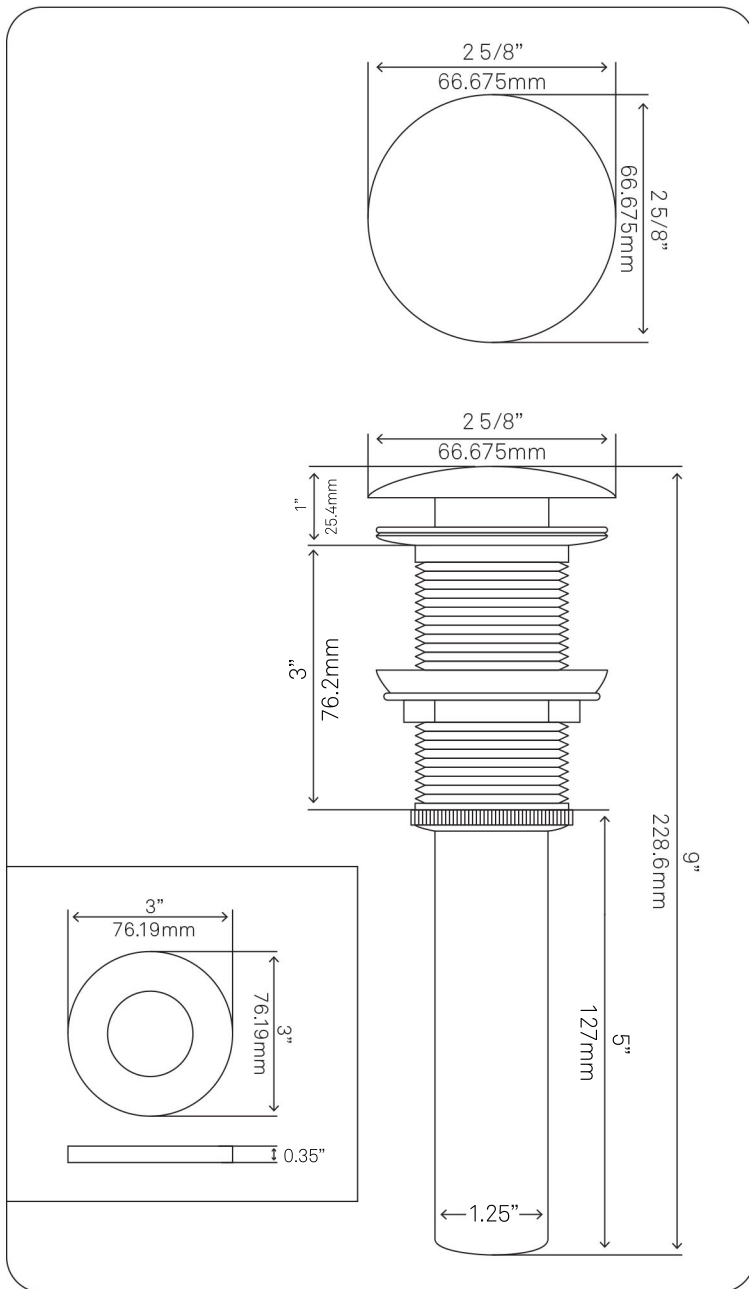
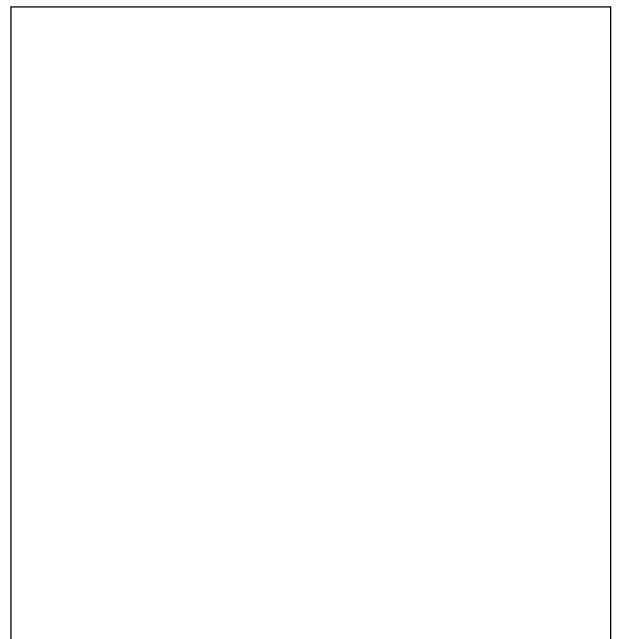
WARRANTY:

- Limited lifetime warranty
- See www.NovattoInc.com for details

COORDINATING ACCESSORIES:

- Glacier Ice Restoration and Sealer kit

NOTES



Novatto reserves the right (1) to make changes in specifications and materials, and (2) to change or discontinue models, both without notice or obligation. Dimensions are for reference only, see www.NovattoInc.com for finish options and product availability.

Novatto Inc
TOLL FREE 844.404.4242
www.NovattoInc.com