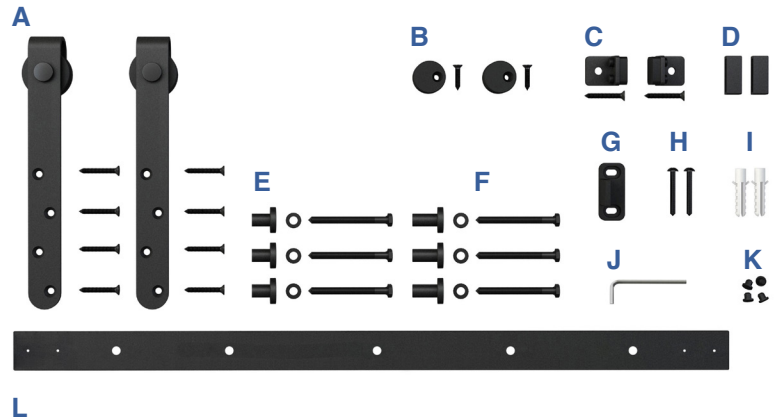


# FURNITURE

## SLIDING DOOR HARDWARE

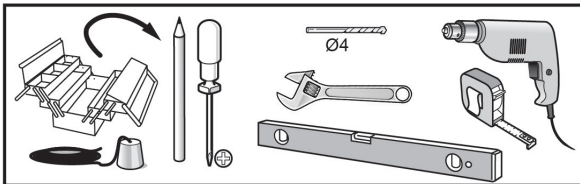
### 4 FT. KIT for SINGLE DOOR

### INSTALLATION MANUAL



#### TOOLS REQUIRED

#### INCLUDED IN KIT



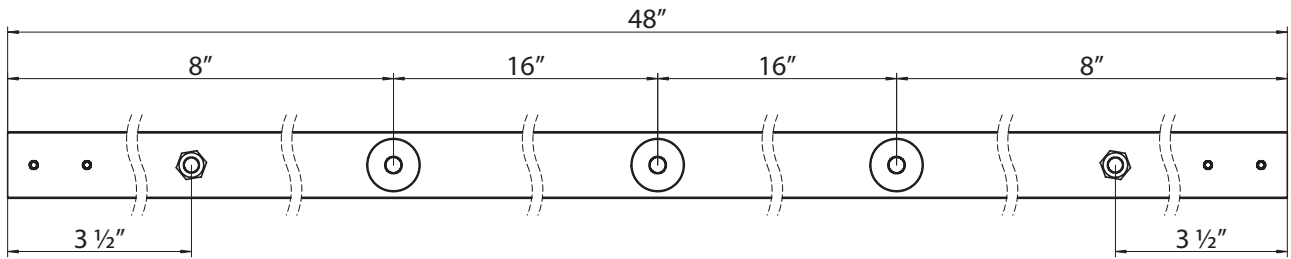
- Plumb Line
- Pencil
- Phillips Head Screwdriver
- 4mm Drill Bit
- Wrench
- Level
- Power Drill
- Tape Measure

<b>A</b>	Door Roller Hardware	x2
<b>B</b>	Anti-Jump Disk	x2
<b>C</b>	Door Stop Hardware	x2
<b>D</b>	End Cap	x2
<b>E</b>	Mounting Bracket for 3/4" and 1" Doors	x3 ea.
<b>F</b>	M6x60 Bolt + Washer	x6
<b>G</b>	Routed Door Guide	x1
<b>H</b>	ST4.2x35 Screw	x2
<b>I</b>	Anchor	x2
<b>J</b>	1.5mm Allen Key	x1
<b>K</b>	Hole Cover	x4
<b>L</b>	48" Rail	x1

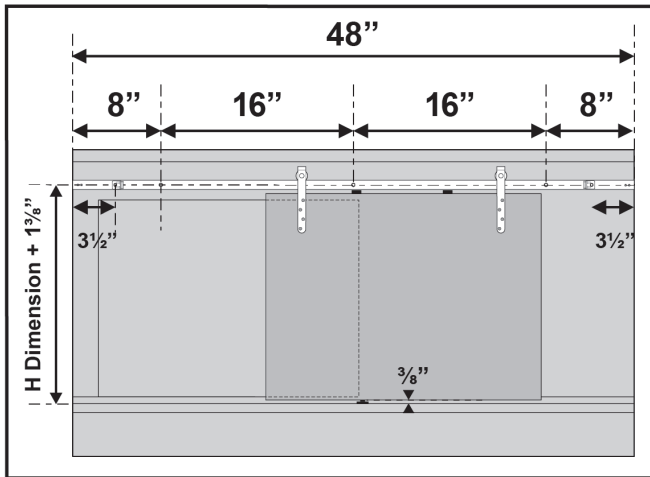
PLEASE NOTE: The installation manual is a suggested guideline. Adjustments may need to be made based on your specific application.

American Pro Decor assumes no liability for improper installation.

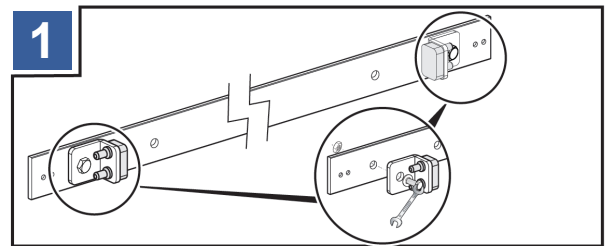
## UNDERSTANDING YOUR RAIL



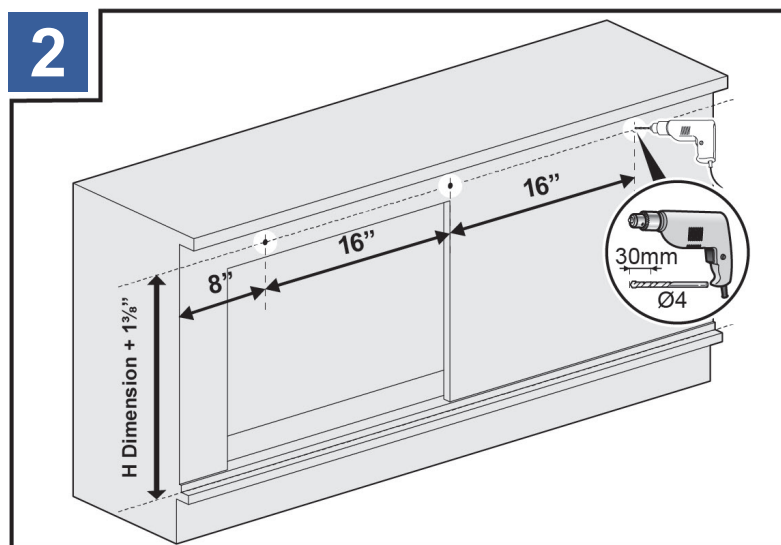
## INSTALLATION



Using a pencil, mark the locations where you will drill holes as indicated.

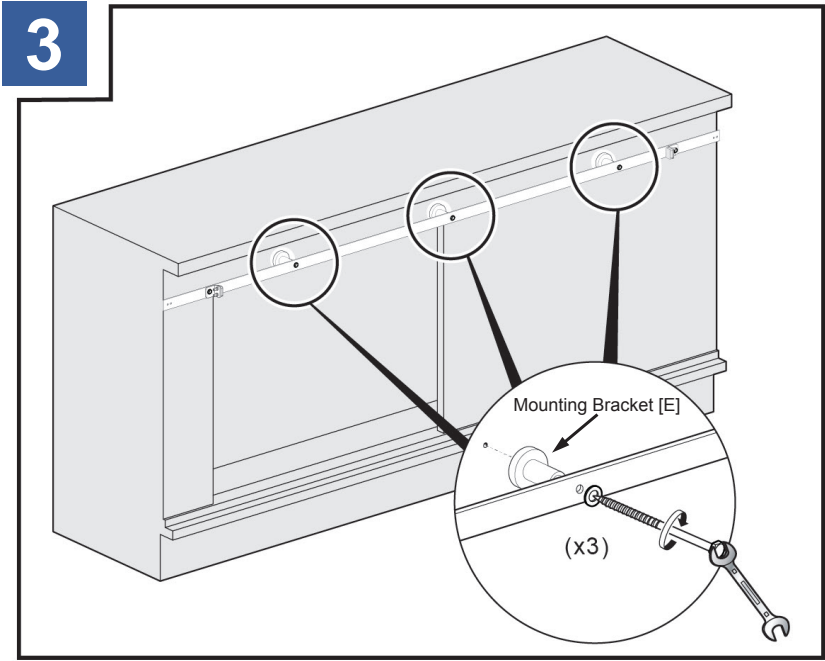


1 Before beginning installation, attach the door stops [C] to the rail [L].

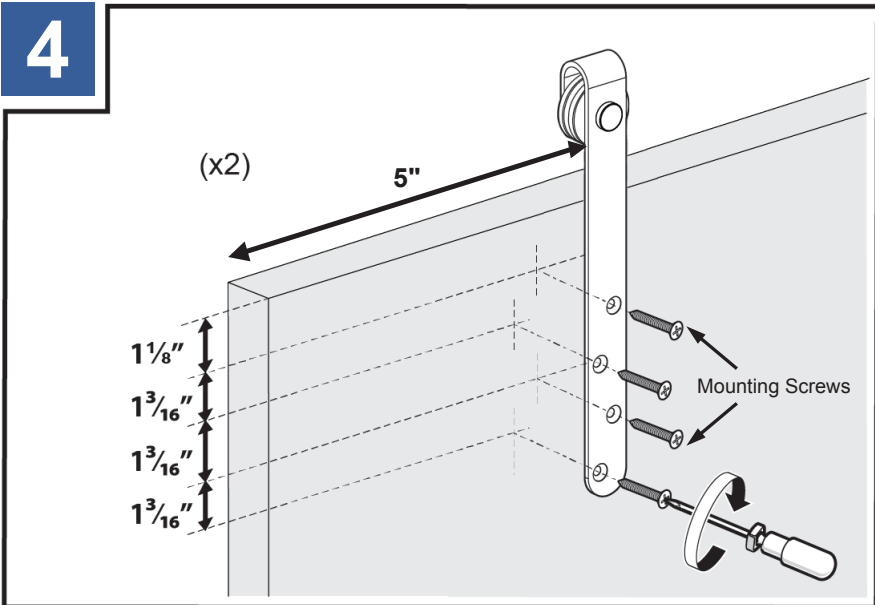


2 Using a power drill with a 4mm drill bit, drill holes as indicated.

American Pro Decor assumes no liability for improper installation.

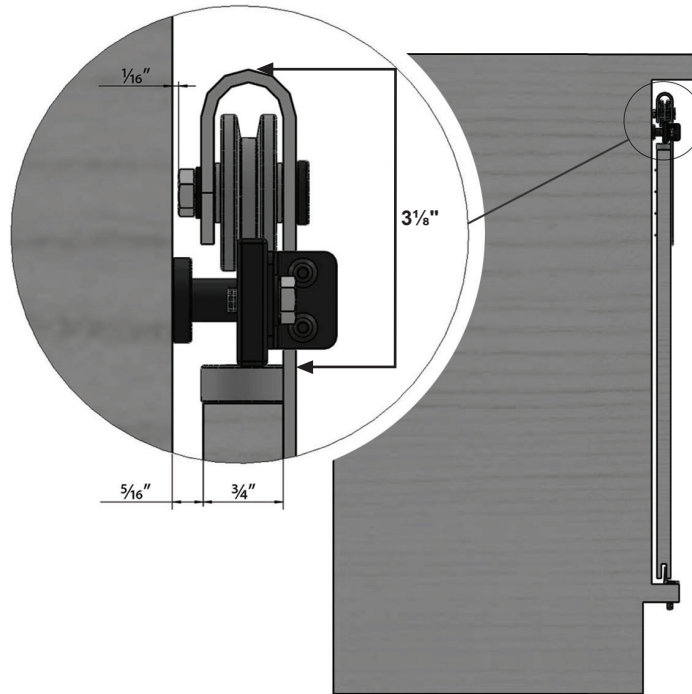


Install the rail, and mounting brackets [E].

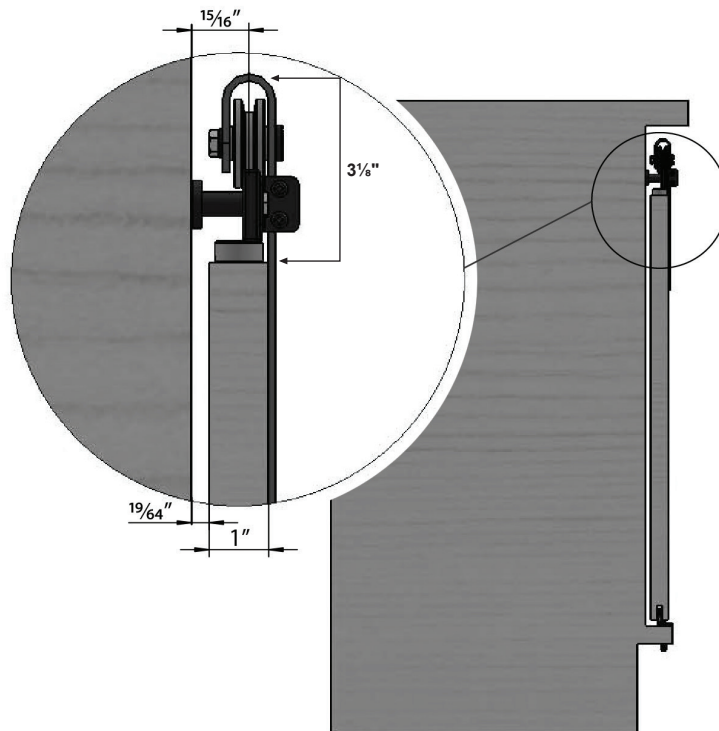


Drill holes into the doors as indicated. Attach the roller straps [A].  
 It is suggested that the roller strap [A] be mounted 5" from the edge of the door to the neck of the roller strap.  
 NOTE: Trimming the rail will alter the position of the roller hardware. Adjust accordingly.

FOR 3/4" DOORS

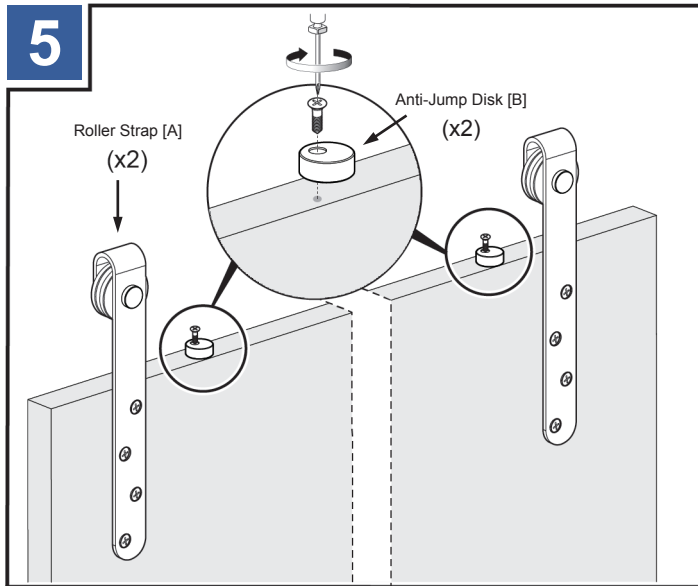


FOR 1" DOORS

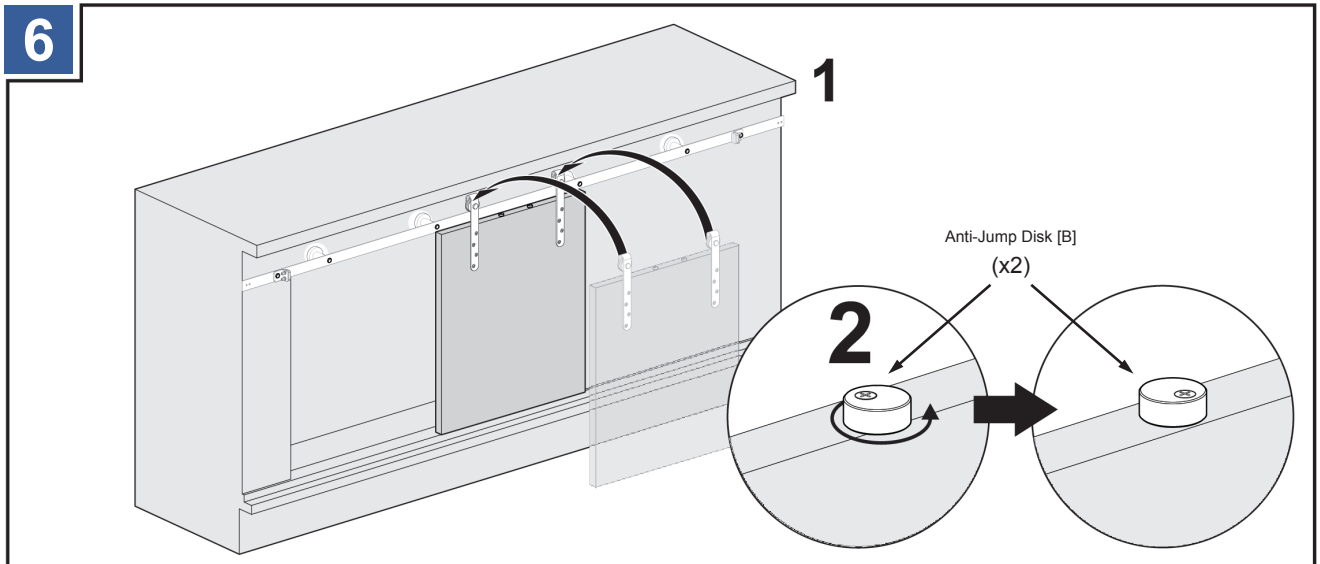


Allow a minimum 3-1/8" clearance above the doors.

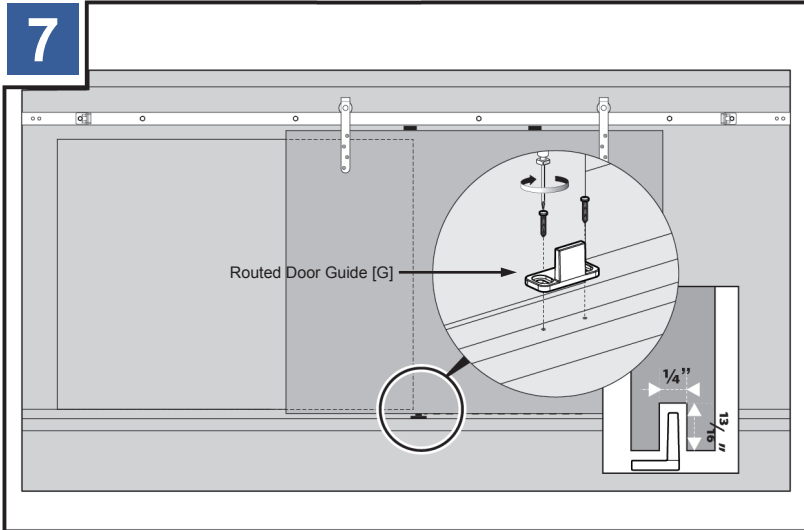
American Pro Decor assumes no liability for improper installation.



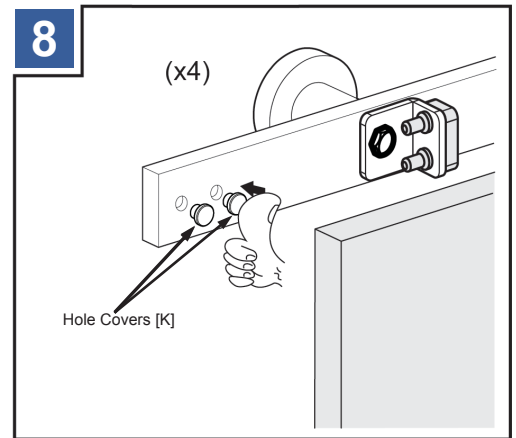
Attach the anti-jump disks [B] to the doors.



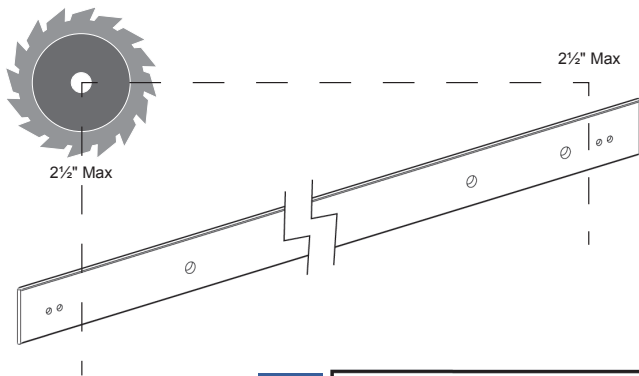
Attach the doors to the rail [L] and lock the anti-jump disks [B] into position. Doors should be routed beforehand if using the routed door guide [G].



If using the routed door guide [G], install at this time.

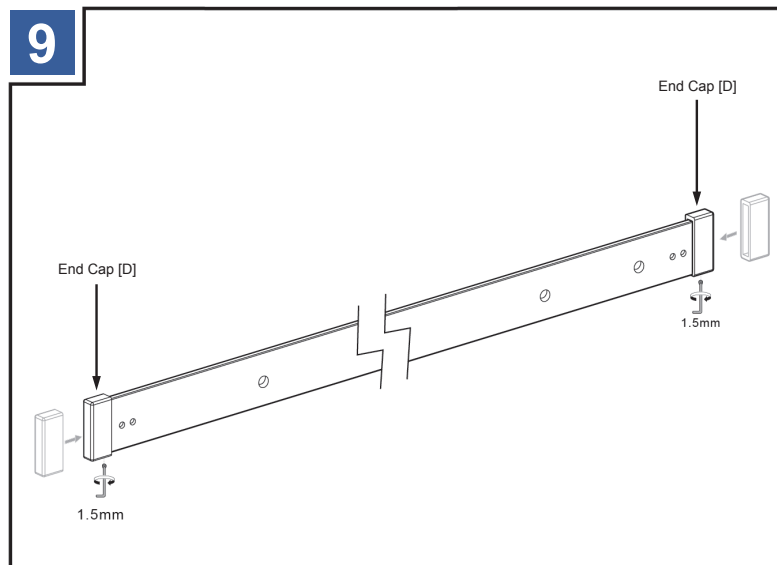


Use the hole covers [K] to give the rail a finished look.



The rail can be trimmed if necessary using a band saw. Use blades suitable for iron or stainless steel depending on your rail.

NOTE: If you are trimming the rail, do so equally. Each rail can be trimmed equally up to 2½" on both sides. However; trimming will alter the position of the roller hardware. Adjust accordingly.



Once cut, add the end caps [D] to the ends of the rail and secure with a set screw.