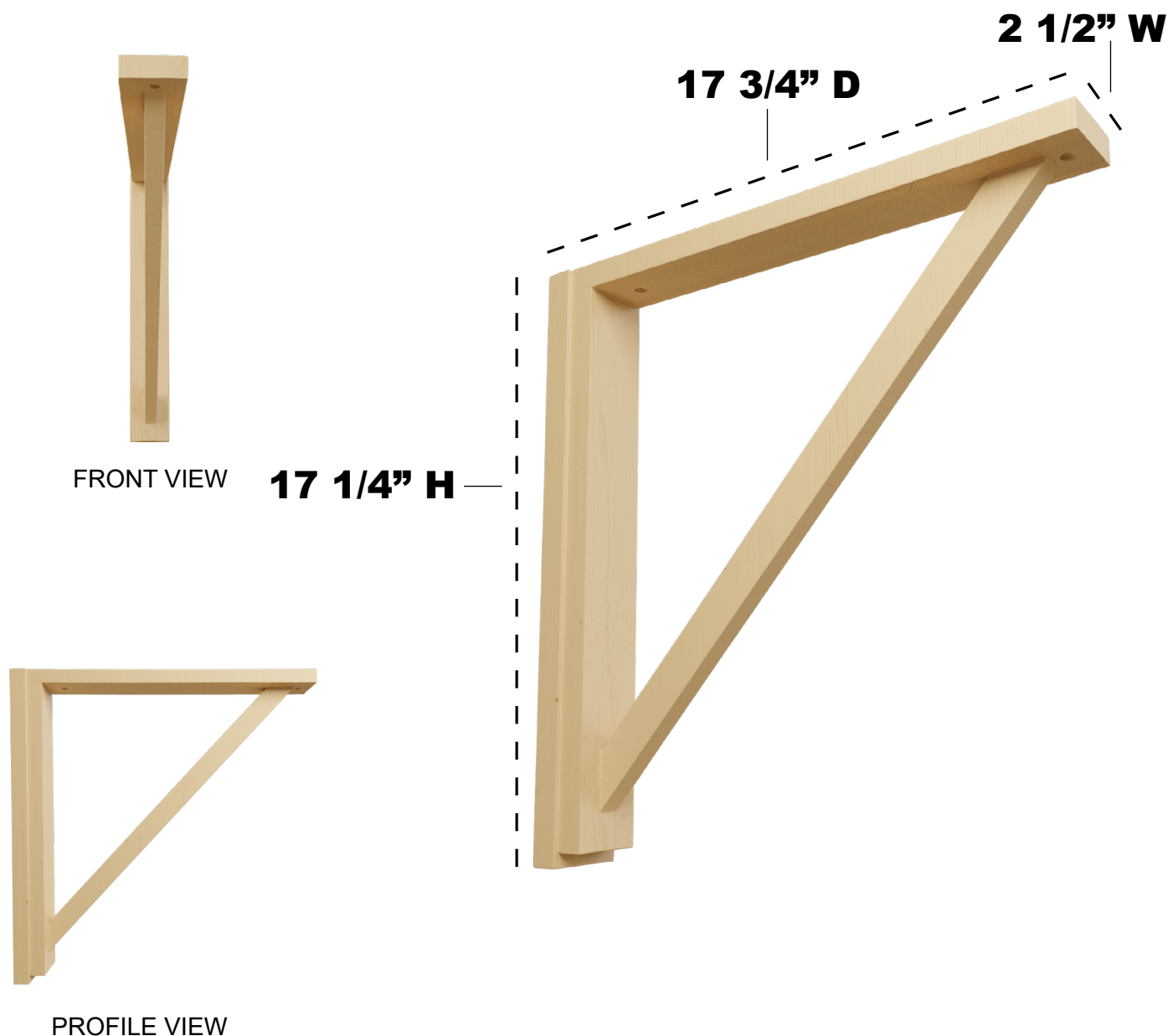


2 1/2" W X 17 3/4" D X 17 1/4" H TRADITIONAL BRACKET

ITEM NO.: BKT02X17X17TR



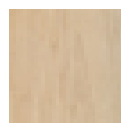
**AVAILABLE
WOOD
SPECIES:**



ALDER



CHERRY



MAPLE



RED OAK



RUBBERWOOD



EKENA
MILLWORK

P: 866.607.0453 | F: 866.591.3143

2300 W. Main St. | Clarksville, TX 75426

sales@ekenamillwork.com | www.ekenamillwork.com