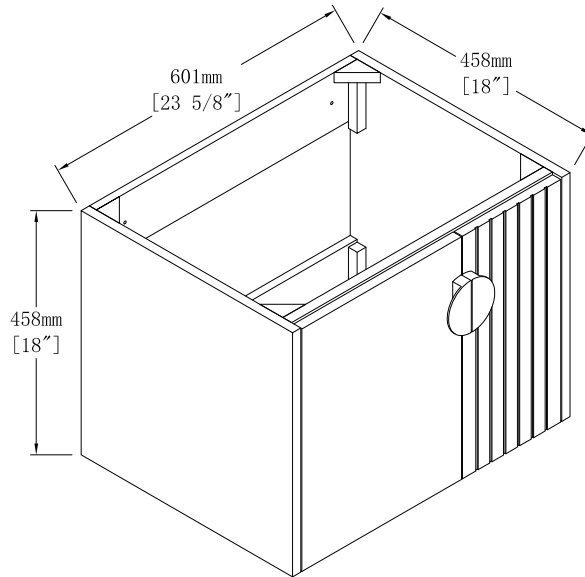
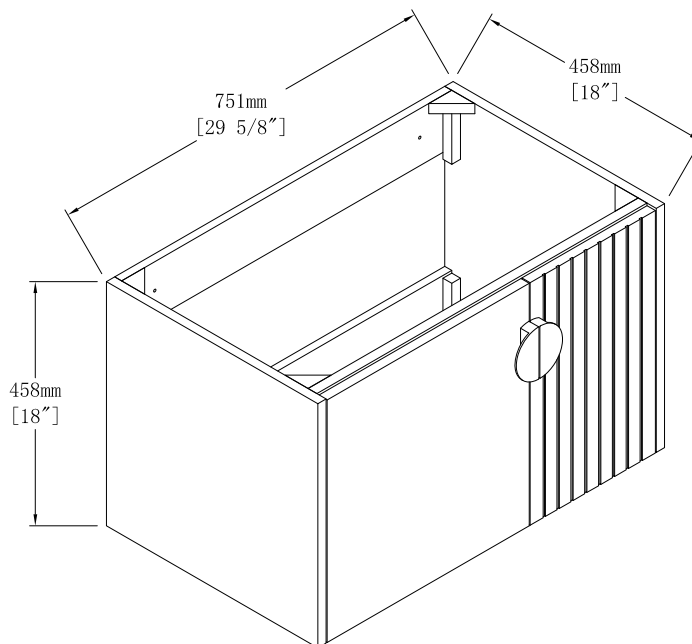




**BLOSSOM**<sup>®</sup>  
luxury made simple



V8034-24



V8034-30

[ **MOSS** ]  
Series Vanities

## Specification & Installation Guide

## Features

- Modern design with multi finishes.
- Soft-closing doors.
- Compatible LED mirror or medicine cabinet.
- Come with 2-1/2" thick edge Modern artificial stone basin.
- Door knobs come with 4 Different finishes(Chrome, Brushed Nickel, Matte Black and Brushed Gold).
- Easy installation.

## Package Dimension

**24"** 28 1/8"x 22 1/4"x 26 3/8"

**30"** 33 7/8"x 22 1/4"x 26 3/8"

## Colors / Finishes

MATT WHITE - 01  
 PASHM GREY - 15  
 SAGE GREEN - 10  
 NAVY BLUE - 25

## Gross Weight

**24"** 80 LBS

**30"** 94 LBS

## Sink Top Options

### Vanities

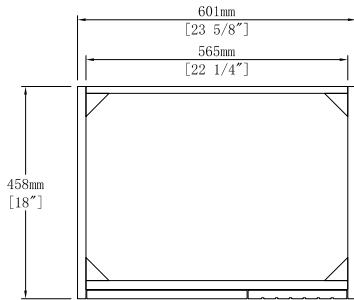
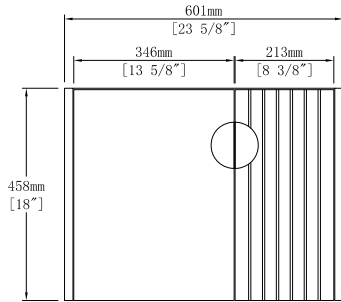
<b>24"</b>	V8034-24
<b>30"</b>	V8034-30

### Artificial stone basin

A10	2418	25
A10	3018	25

**24"**

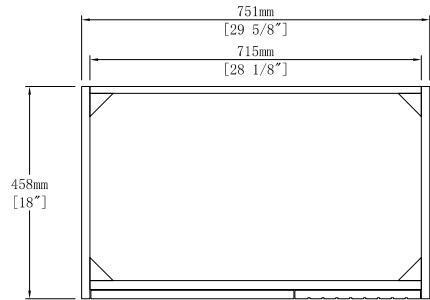
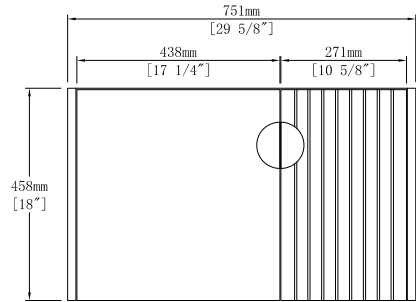
23-5/8"x18"x18"



TOP VIEW

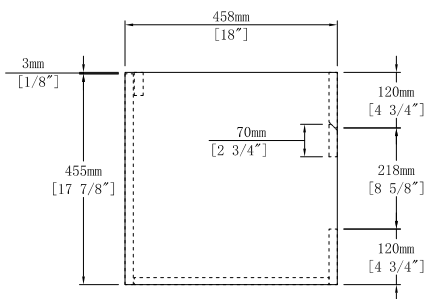
**30"**

29-5/8"x18"x18"



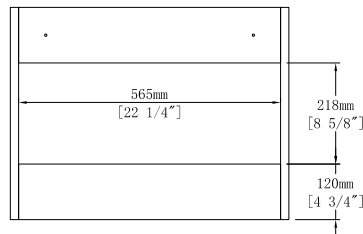
TOP VIEW

**24"**

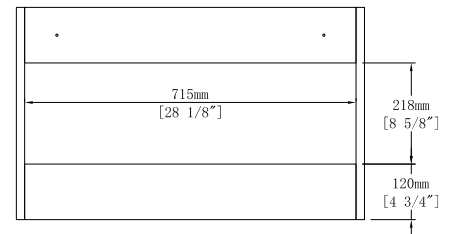


SIDE VIEW

**30"**

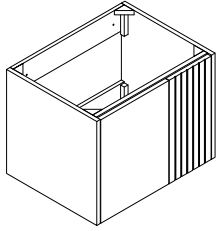


BACK VIEW

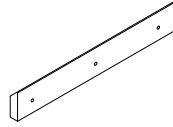


BACK VIEW

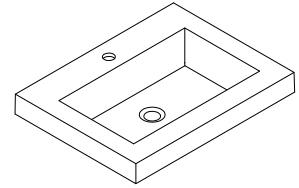
### Parts List



#1 x1

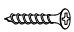





#2 x1

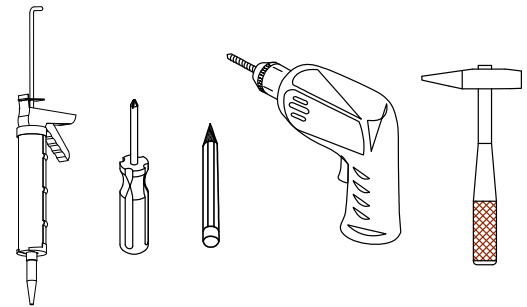


#3 x1

### Hardware (Included)

NO.		Draw	QTY
A	Screw (M4*55mm)		5
B	White rubber plug (M8*40mm)		5
C	Screws (Ø5/32*25mm)		4
D	Handle		2

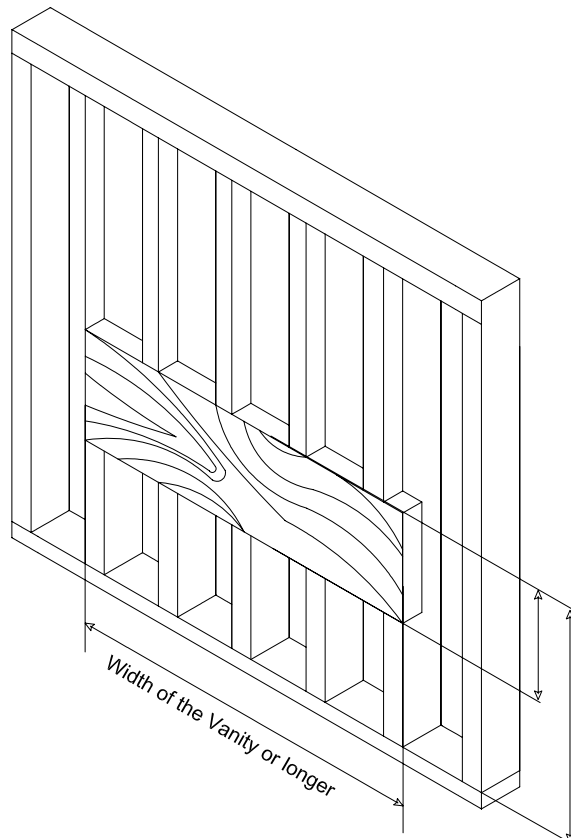
### Tools



## Wall blocking is required for all installation

The suggested heights without the sink are 30-5/8" for Blossom's artificial stone basins.

Depending on the sinks selected, the total height will vary from 33-1/2"(850mm) to 35-1/4"(895mm). If an alternate height desired, adjust the rough-in and backing material heights using the dimensions provided.



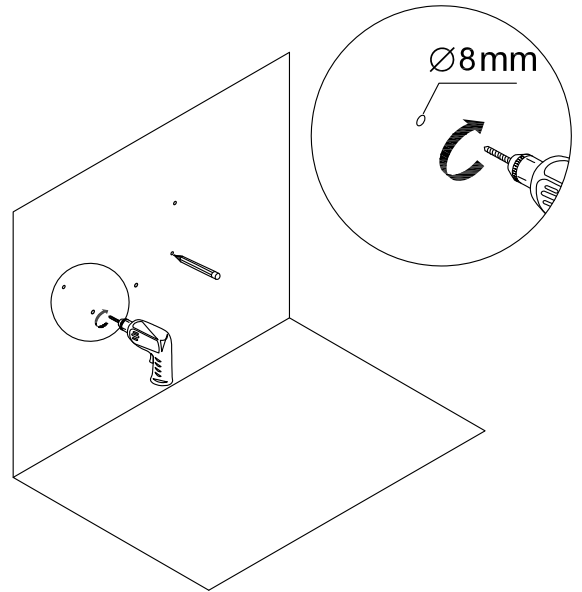
Recommended using minimum 3/4" thick plywood

Wood Reinforcement Board minimum size 8"

The suggestion install height 33-1/2"(850mm) to 35-1/4"(895mm)

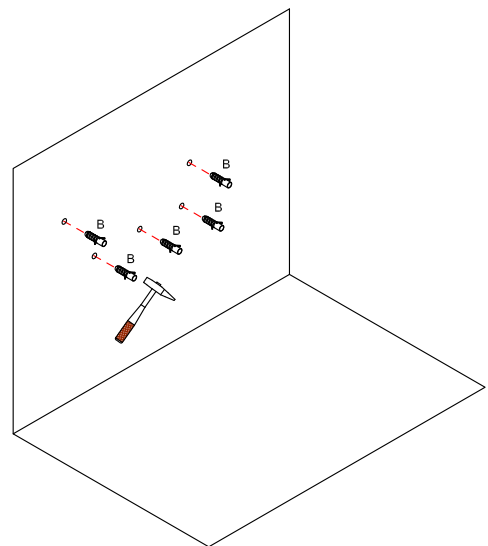
### STEP 1

- Mark 4 pre-drilled holes on part #2 with a pencil on the wall after measure, positioning and leveling the vanity.
- Drill the holes with suitable drill-bits base on different conditions of the wall.



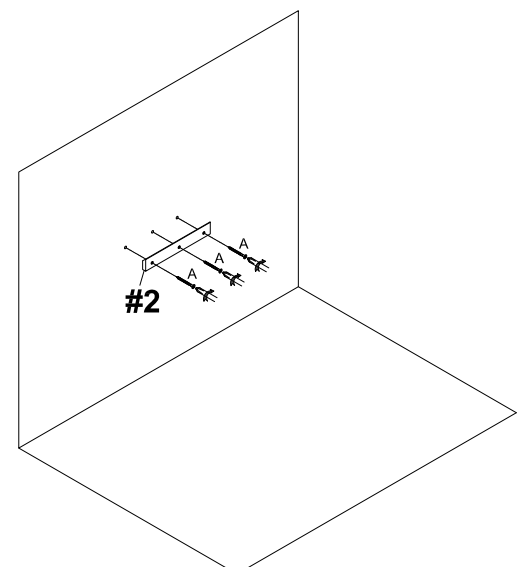
### STEP 2

- White rubber plug B for brick wall or concrete wall.



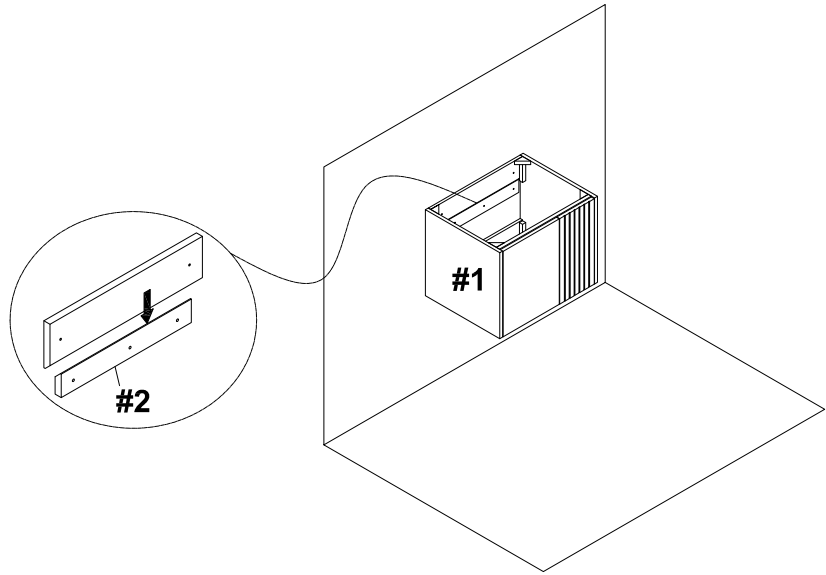
### STEP 3

- Fix part #2 (hanger) onto the wall using screw A.



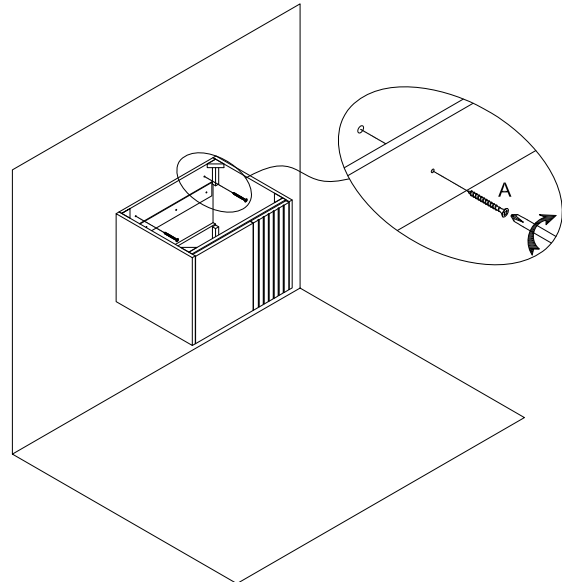
**STEP 4**

- Hang Part #1 onto Part #2 which has been installed on the wall.



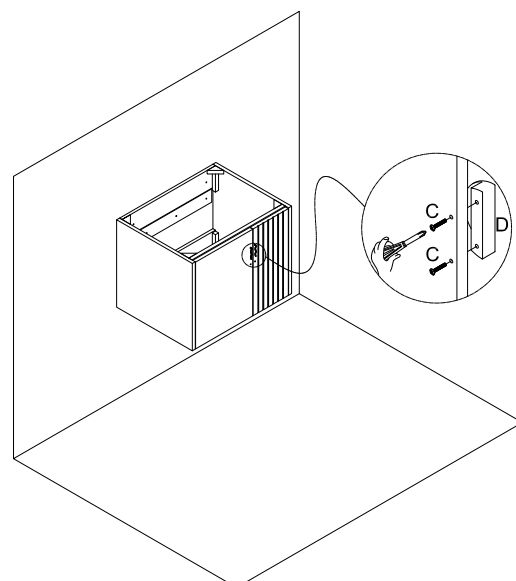
**STEP 5**

- Fix Part #1 to the wall by screws A.



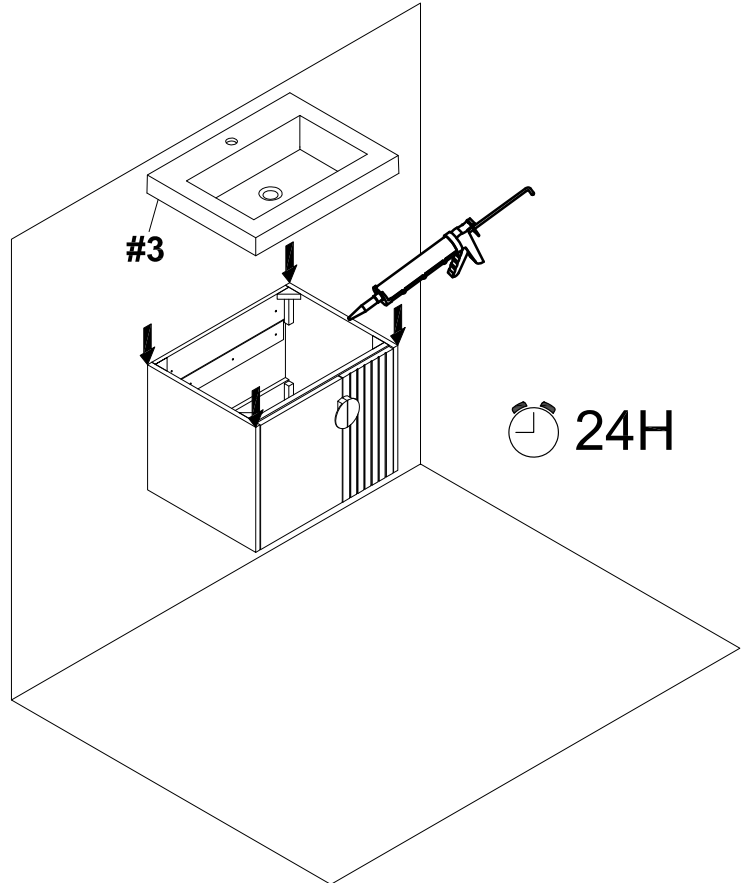
**STEP 6**

- Open the doors and install handles D with screws C.



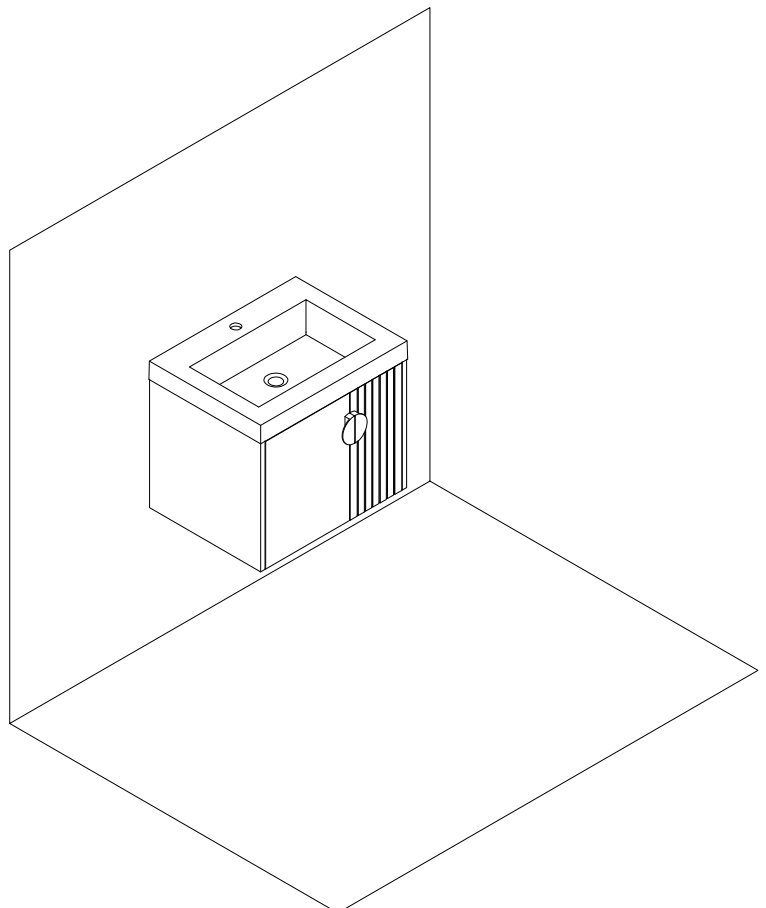
**STEP 7**

- Install the basin with silicone.



**STEP 8**

- Installation complete.





Blossom Kitchen & Bath Supply Corporation  
(718)-366-0088 | [sales@BlossomUS.com](mailto:sales@BlossomUS.com) | [www.BlossomUS.com](http://www.BlossomUS.com)

---

For clarification, please contact us at (718)-366-0088 or [sales@BlossomUS.com](mailto:sales@BlossomUS.com)  
All dimensions are approximate and subject to standard tolerance. Specifications subject to change without prior notice.