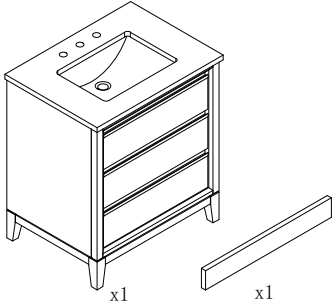
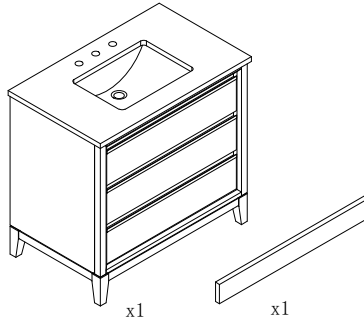


# ASSEMBLY INSTRUCTIONS

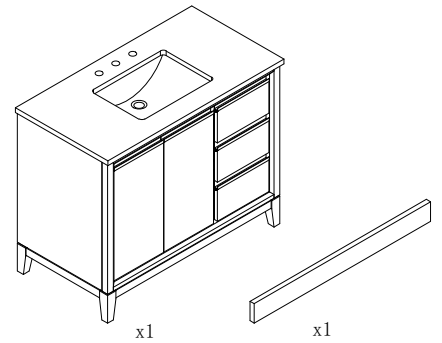
## VA80 Series



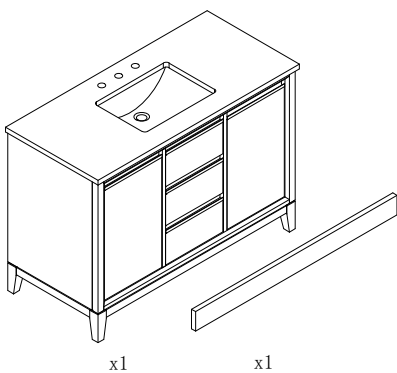
VA8030



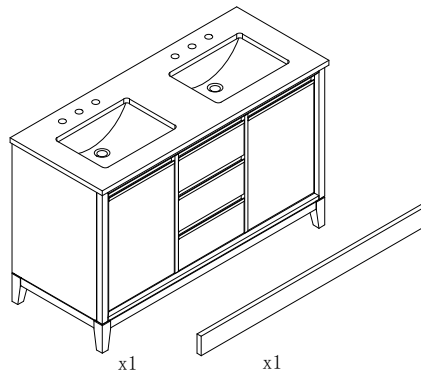
VA8036



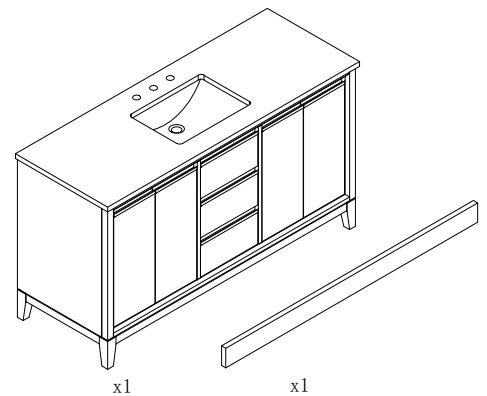
VA8042



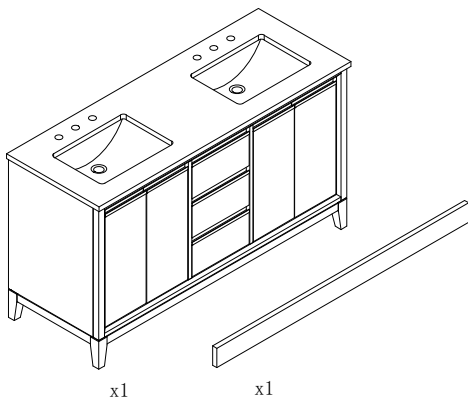
VA8048



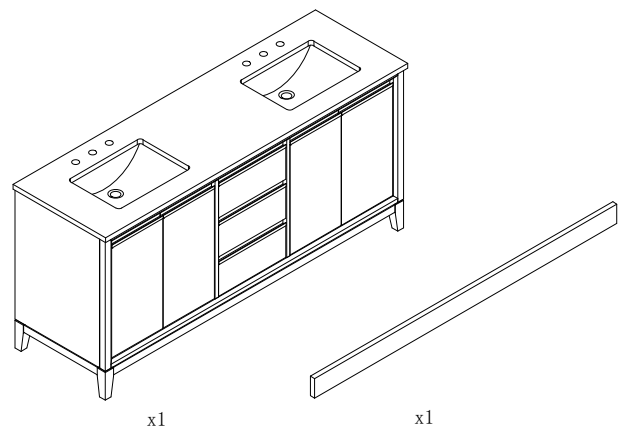
VA8054



VA8060S



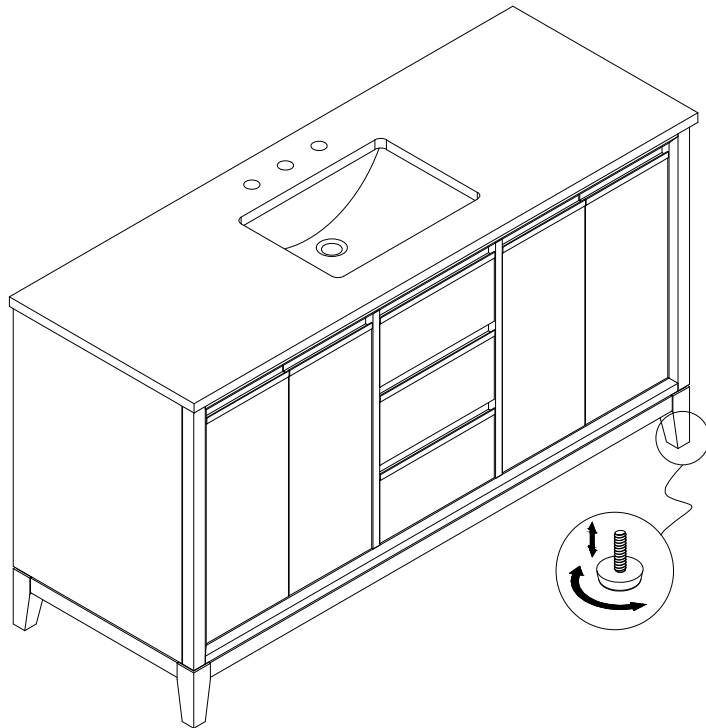
VA8060D



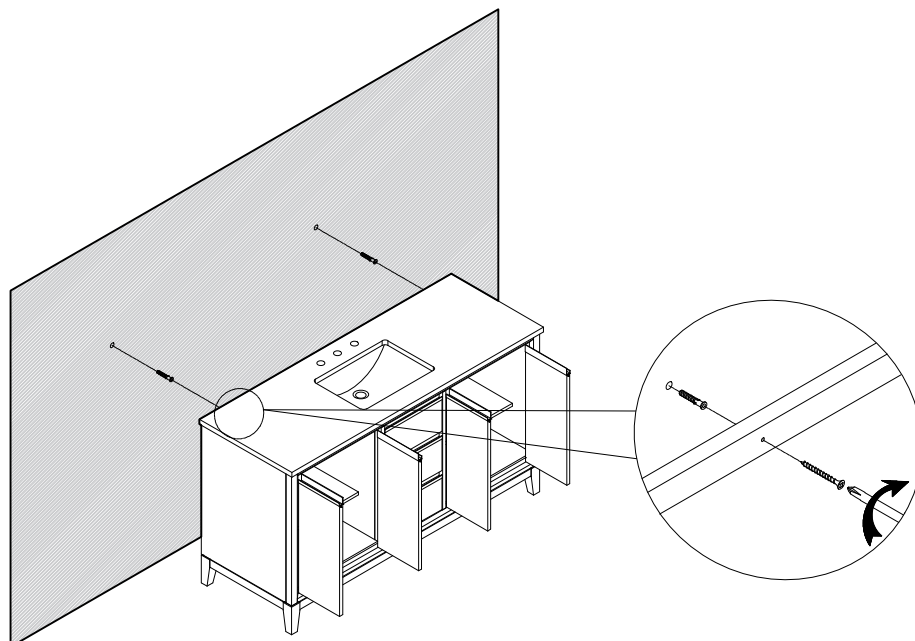
VA8072

# Assembly Instructions

**Step 1. Place the vanity at its desired location and adjust the vanity's height by rotating the adjustable leveler located on the bottom of each foot.**

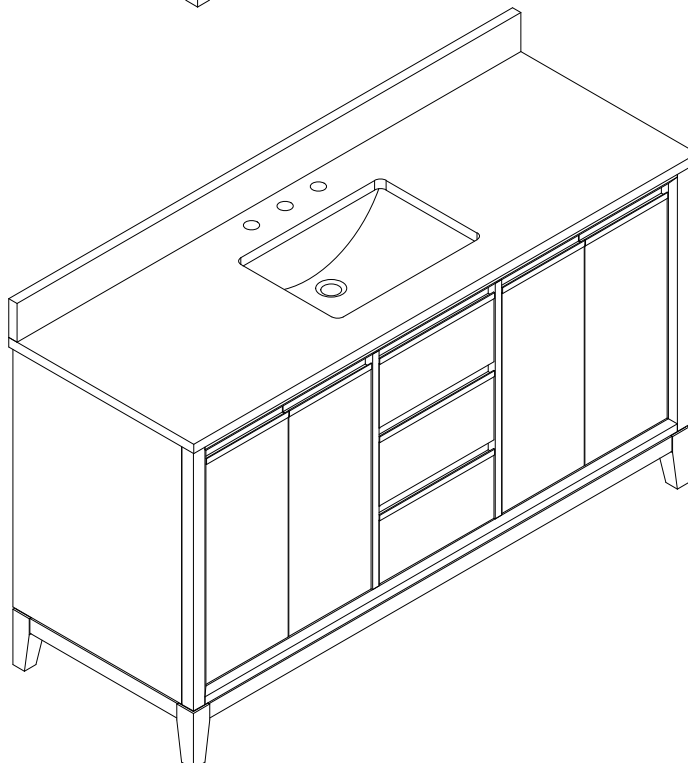
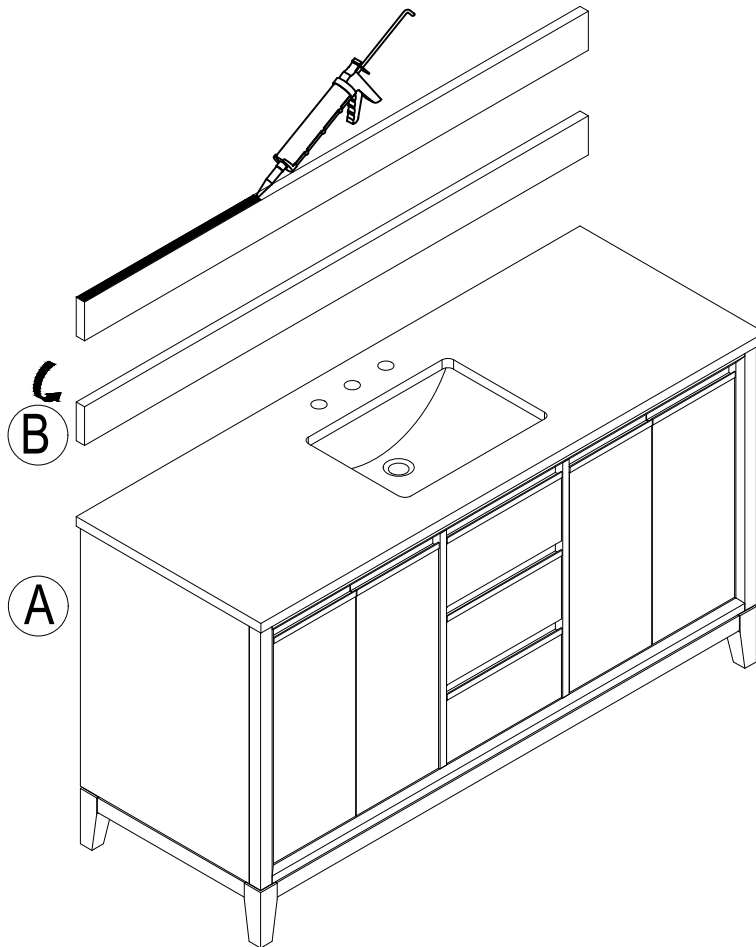


**Step 2. Mount the vanity to the wall with appropriate hardware (hardware not included in the package).**



# Assembly Instructions

Step 4. Secure the backsplash to the vanity with silicone and allow 24 hours to dry

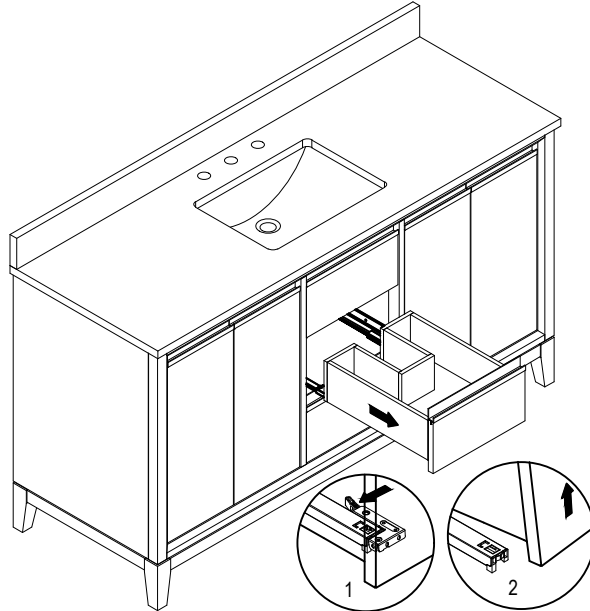


 24H

# Assembly Instructions

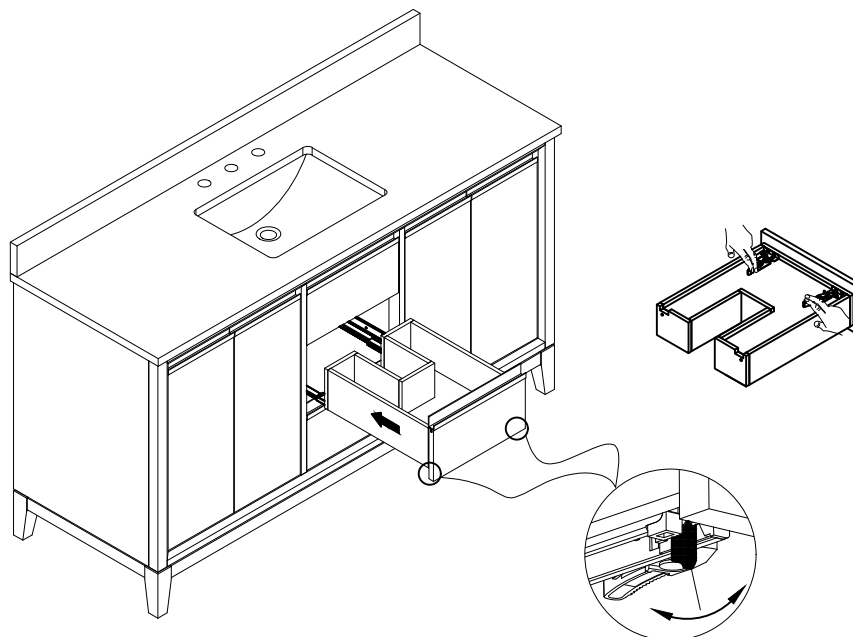
## To remove the drawer:

- Locate the clips on both sides of the bottom of the drawer.
- Press the clips simultaneously and gently lift the drawer.
- Remove the drawer from the slide rails and pull it out.



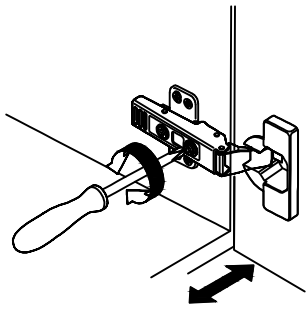
## To insert the drawer:

- Fully extend the drawer slide tracks.
- Gently place the drawer into the hook on the back of the slide track.
- Lower the drawer onto the extended slide tracks.
- Slide the drawer until it is fully inserted.

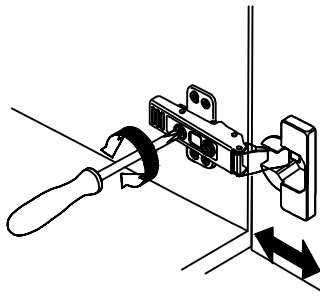


# Assembly Instructions

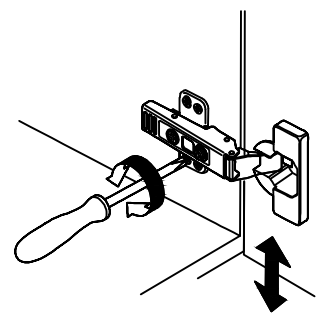
**To adjust the door:**



In & out adjustment

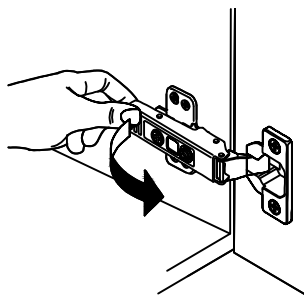


Left & right adjustment

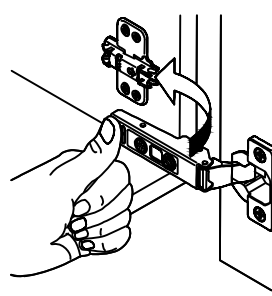


up & down adjustment

**To remove or install the hinges:**



Remove



Install

# Countertop Care Guide

## Notes of Engineering Stone Countertop Care and Maintenance:

The countertop is inherently hard and durable, and thus an ideal material for bathroom vanities. With proper care and maintenance, your countertop can last for years. Observance of these following Care & Maintenance Notes will help you prolong the life of your countertop.

1. Seal the engineering stone countertop before use and every 6-12 months depending on usage, which helps prevent the surface from getting stained or discolored and makes the surface more durable against wear and tear.
2. Thoroughly rinse and dry the surface after washing, especially after using any articles containing chemical substances, such as soap, facial cleanser, otherwise it may leave contaminated stains or spots through permeation after long-time use.
3. Avoid Irregular or Excessive Weight on the Stone Surfaces as this may cause the countertop to crack. Do not sit or stand on the countertop.
4. Be observant of wall decorations hanging over the countertop. If the decorations are heavy and fall onto the countertop, the countertop may crack under the stress.
5. Avoid placing hot appliances, such as curling irons or hot hair dryers directly on the countertop.
6. Any spills on the stone surfaces should be wiped up immediately. Never allow liquid stay on the stone top overnight. Stones are most prone to staining by oil or acid, so be sure to blot these spills up as soon as they happen.

## Clean Solution to Engineering Stone Countertop:

**Step 1.** Spray mild cleaner such as windshield washer fluid or a cleaning product especially for stones on the surface of the countertop.

**Step 2.** Wipe the surface with steel wool or a piece of soft cloth.

**Step 3.** Wet another piece of soft cloth with clean water and wipe the surface to clean off the impurities contaminated on the countertop. If it doesn't come out clean after one try, repeat these steps till it is basically clean. Then wipe the surface dry.