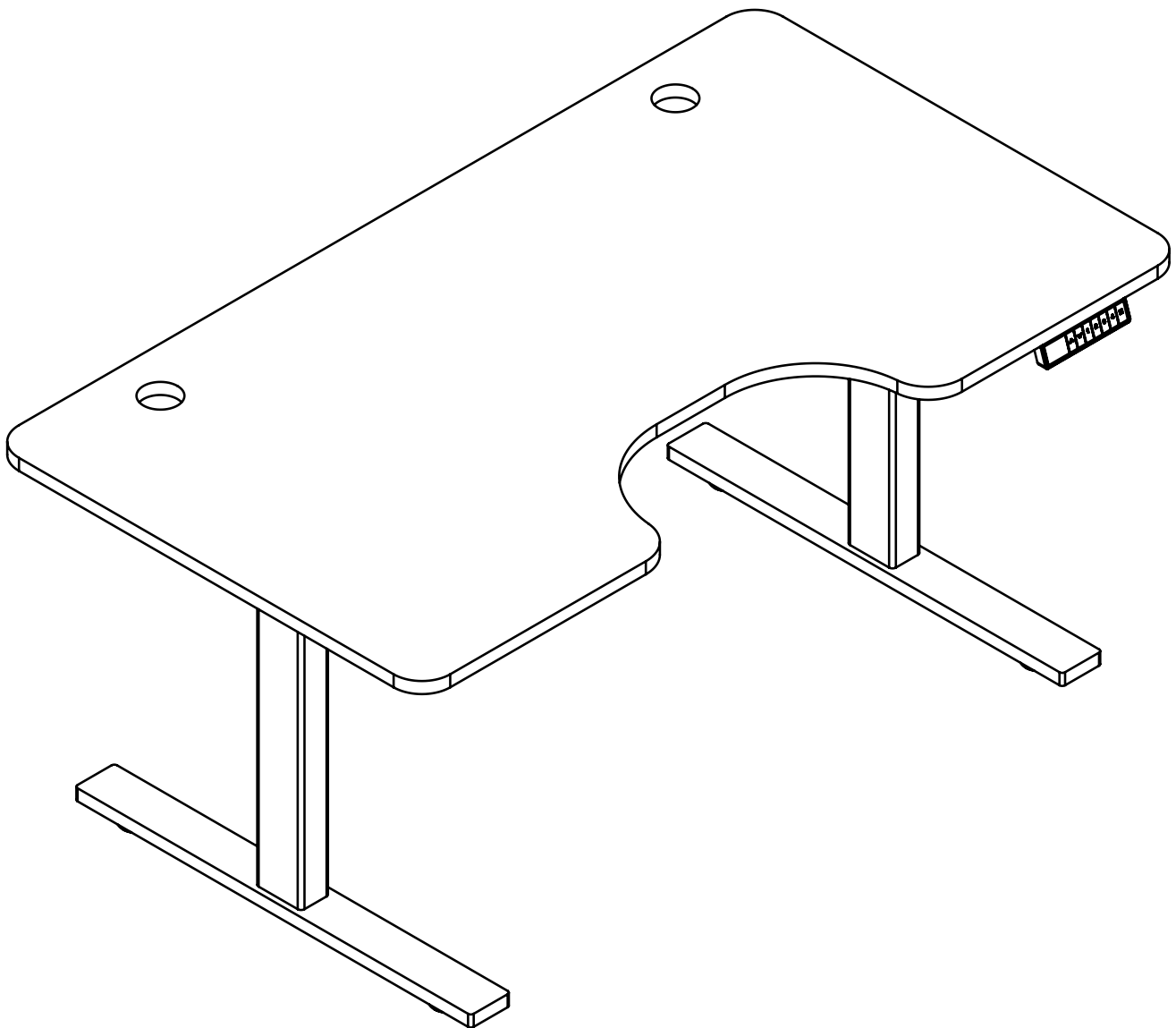


# Autonomous

smart office



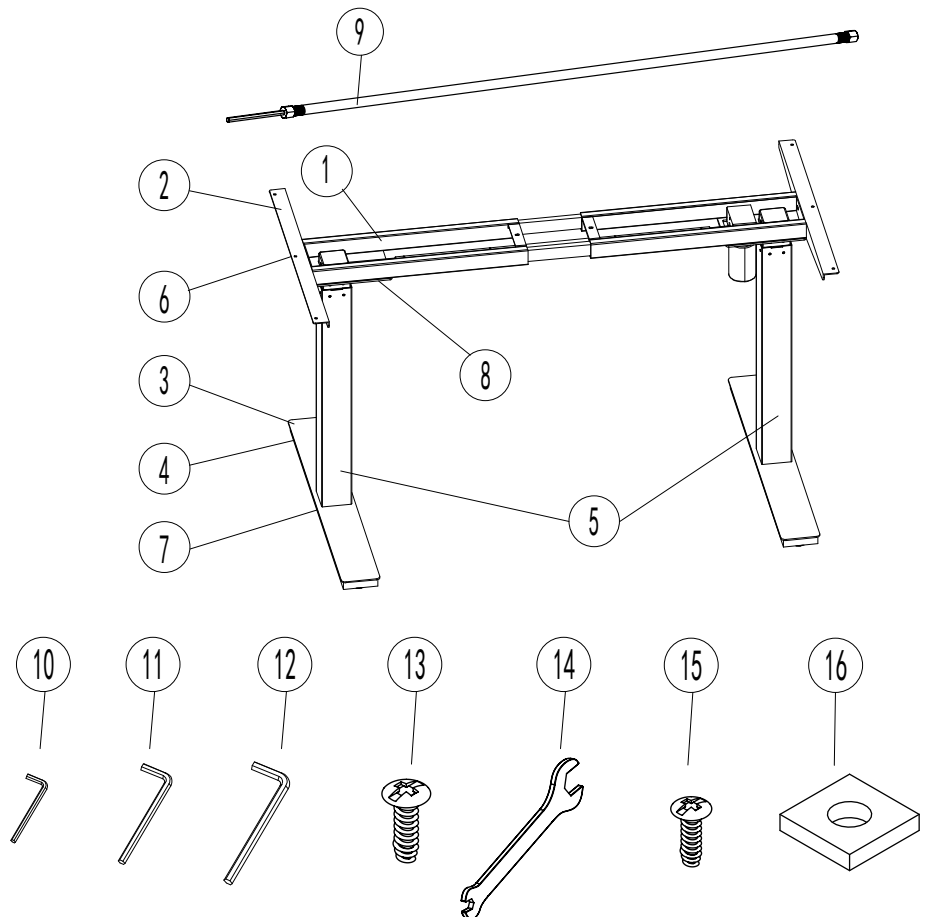
## SmartDesk - Home Edition

Assembly & Instructions

Please go to [www.autonomous.ai/assembly](http://www.autonomous.ai/assembly) to watch our assembly video. We recommend you watch it before assembling your SmartDesk, since it will walk you through the steps and help you understand the instructions.

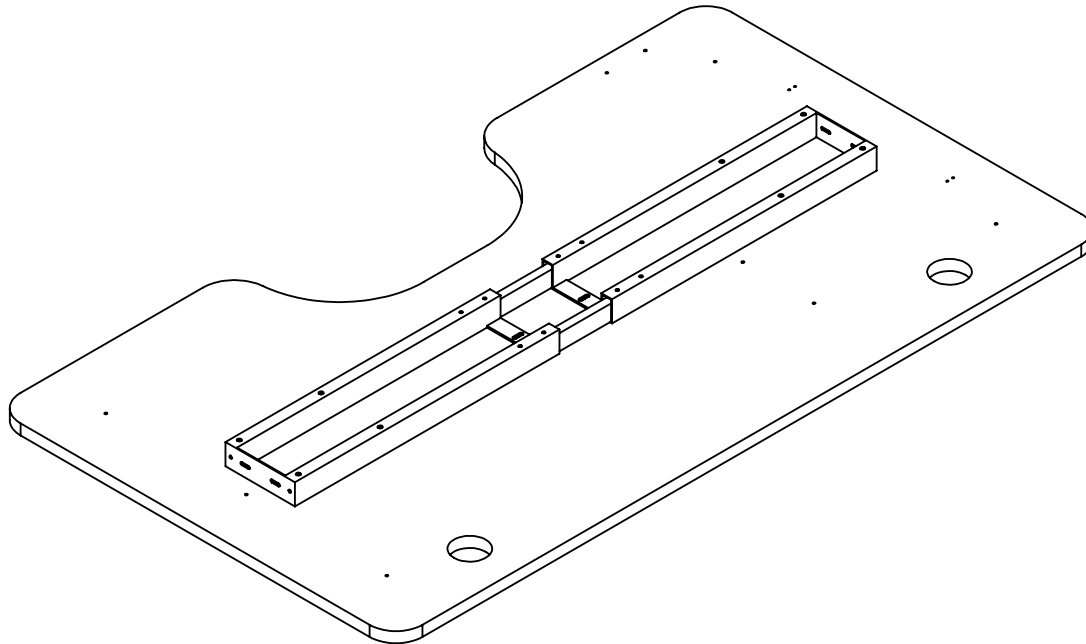
## Parts & Tools List

No.	Component Name	Qty
1	Frame	1
2	Bracket	2
3	Foot Margin	2
4	Foot Pad	4
5	Lifting System	1 Set
6	M6*10	12
7	M8*16	8
8	M8*10	8
9	Driveshaft	1
10	2.5 mm Hex Allen	1
11	4 mm Hex Allen	1
12	5 mm Hex Allen	1
13	Wood Screws M4.8 x 19	10
14	Wrench	1
15	Wood Screws M3.5 x 19	2
16	Noise Dampener Pad	8



# Step 1

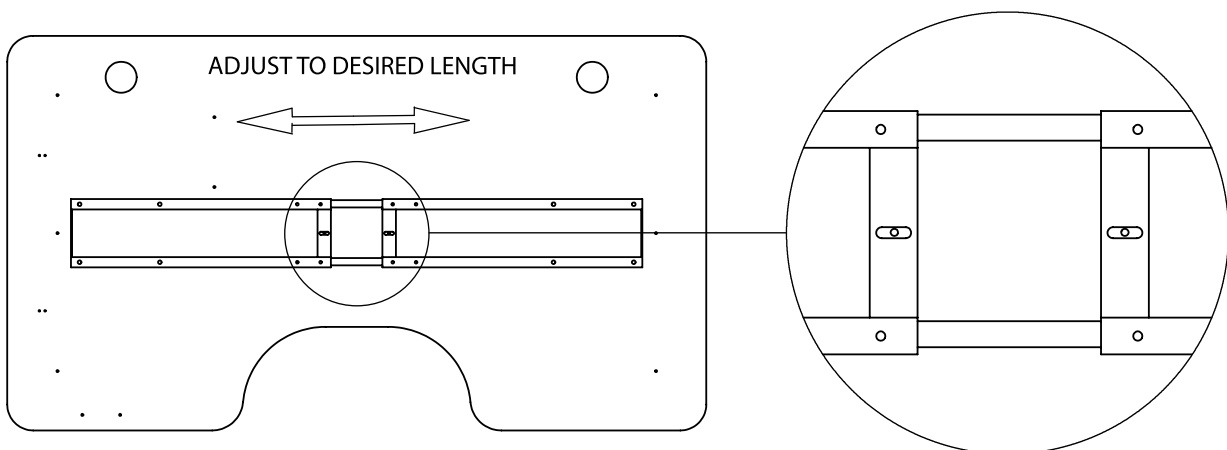
Lay the top face down on the floor and place the frame flat upside down on it.



# Step 2

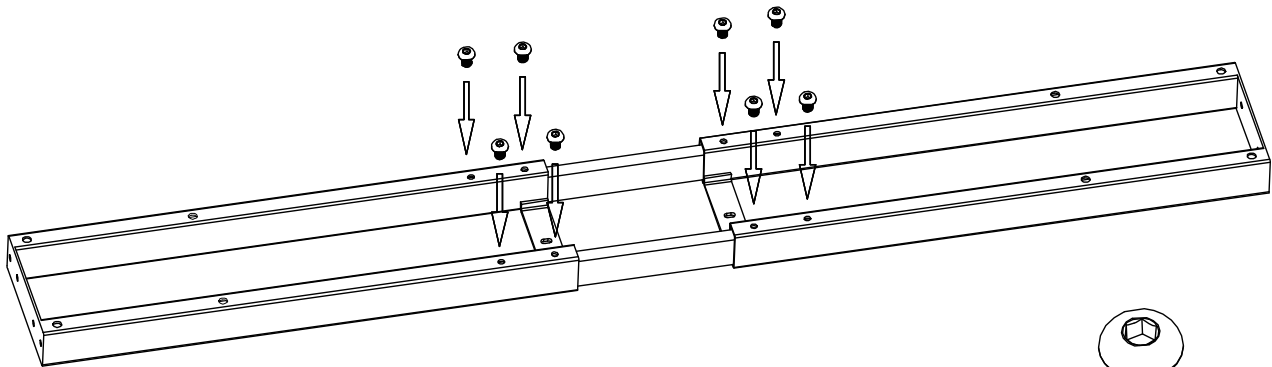
**DO NOT ATTACH THE FRAME TO THE TOP YET, THIS STEP IS FOR MEASUREMENT ONLY**

Line up the frame to the two pre-drilled pilot holes on the table top.



## Step 3

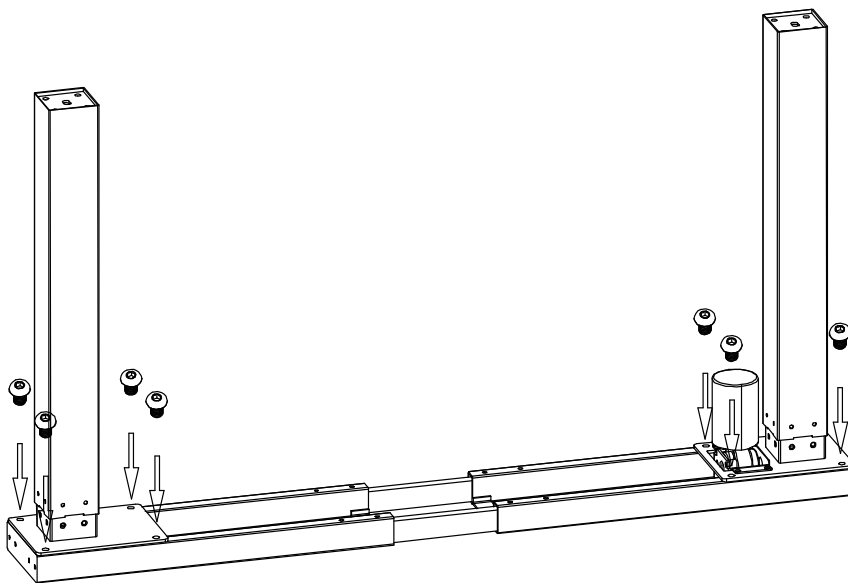
Hand tighten M6x10 Machine hex screws to the frame.  
NOTE: Do not over tighten the screws since you may need further adjustment later.



M6\*10 8PCS

## Step 4

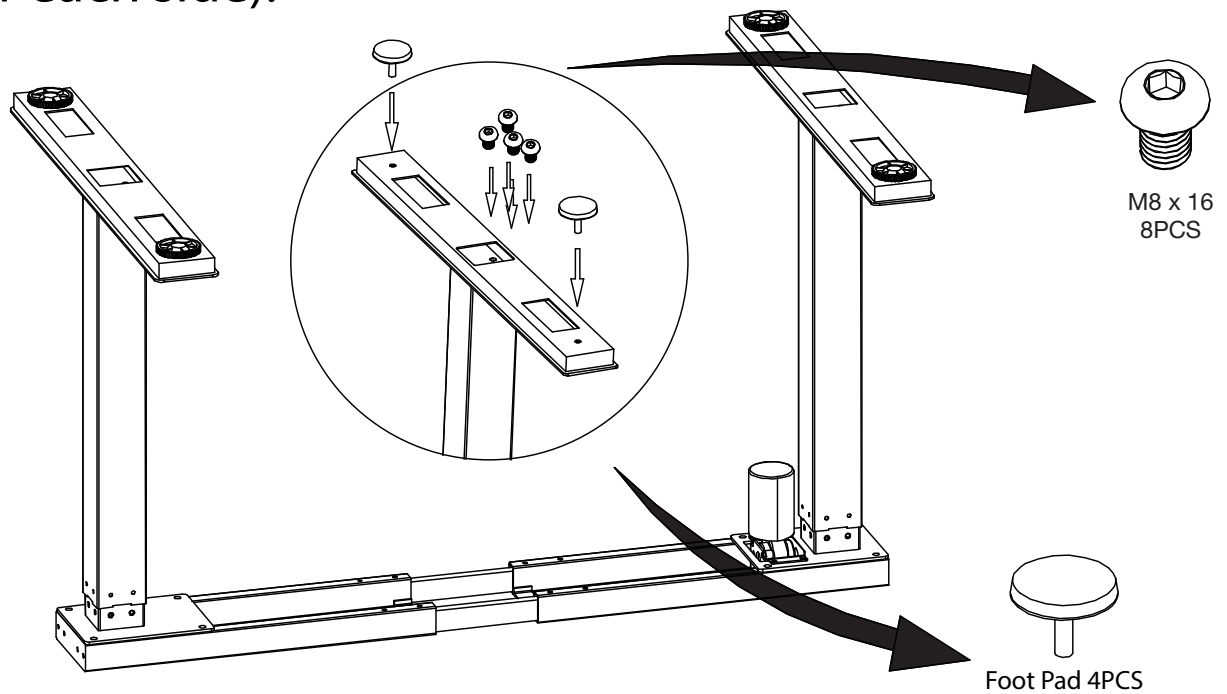
Firmly attach both lifting columns (legs) to the frame using 8 M8x10 Machine hex screws (4 for each side).



M8\*10 8PCS

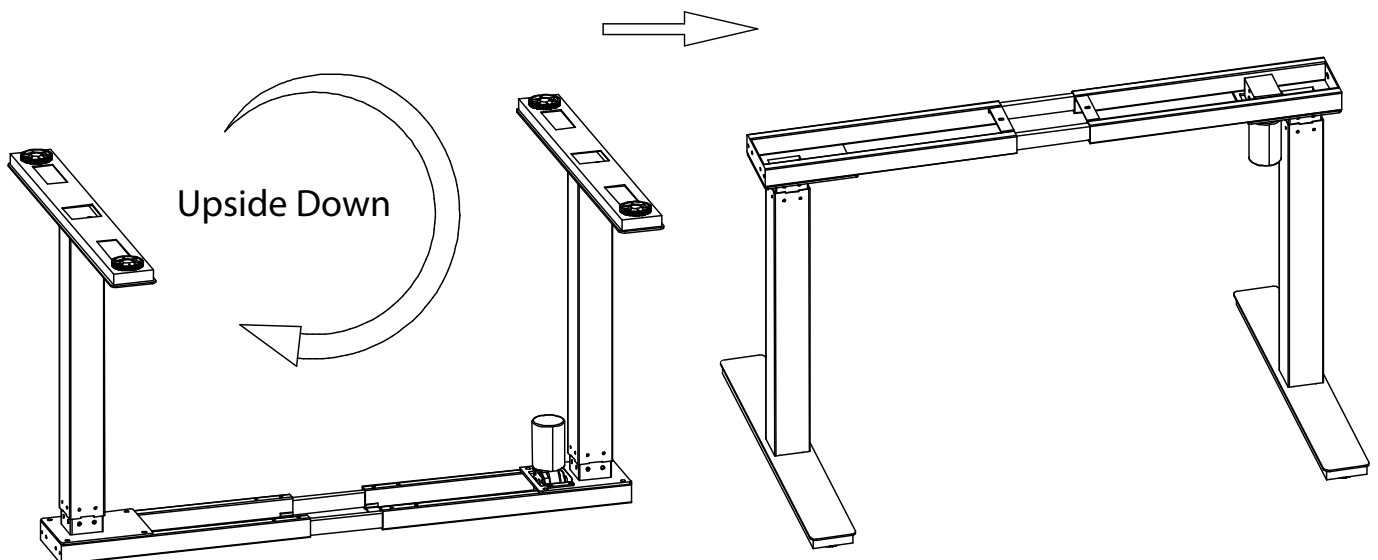
## Step 5

Firmly attach both feet to the bottom of the lifting columns using 8 M8x16 Machine hex screws (4 for each side).



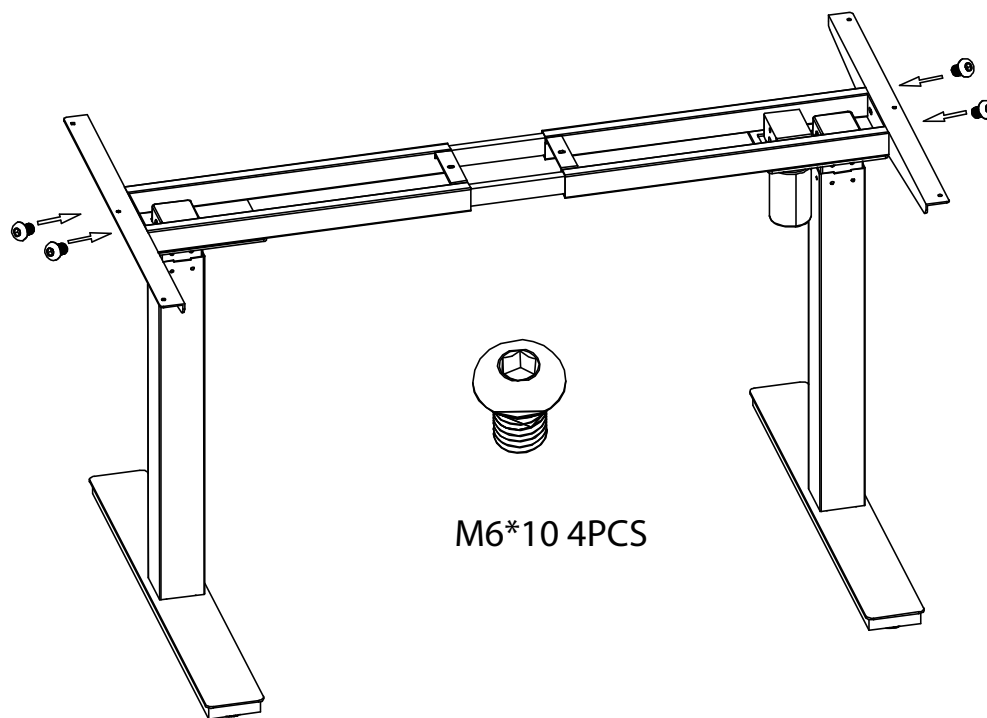
## Step 6

Turn the table over to upright position.



## Step 7

Attach the brackets to both ends of the frame using 4 M6x10 Machine hex screws ( 2 for each side).

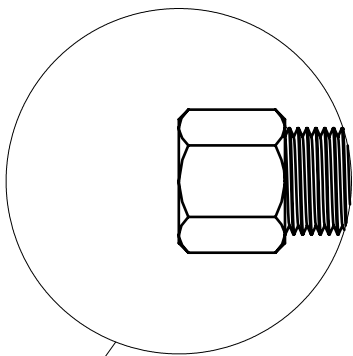


# IMPORTANT

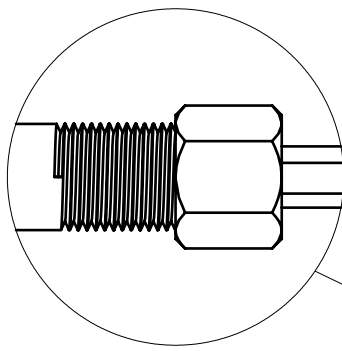
## DRIVESHAFT INSTALLATION

# GET TO KNOW THE DRIVESHAFT

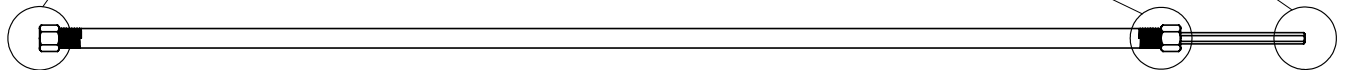
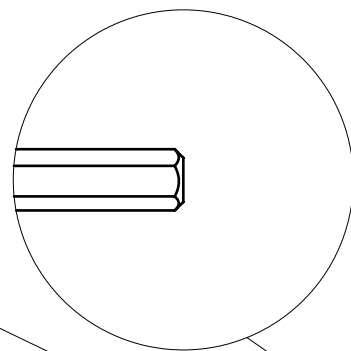
LEFT NUT



RIGHT NUT

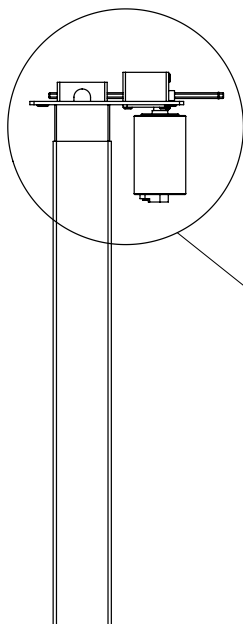


CENTER ROD

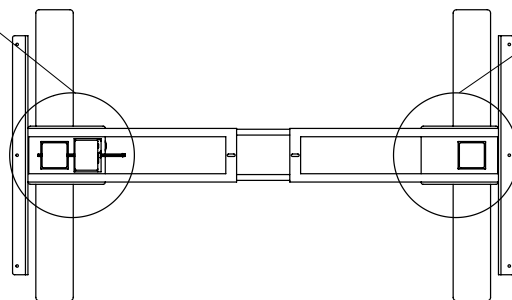
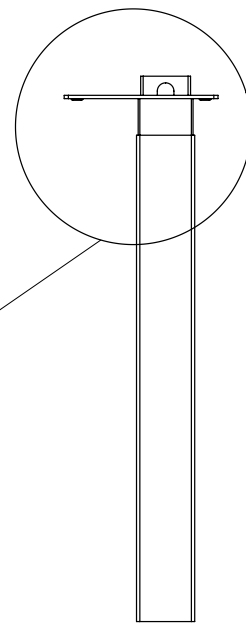


# GET TO KNOW THE FRAME

LEFT COLUMN WITH MOTOR

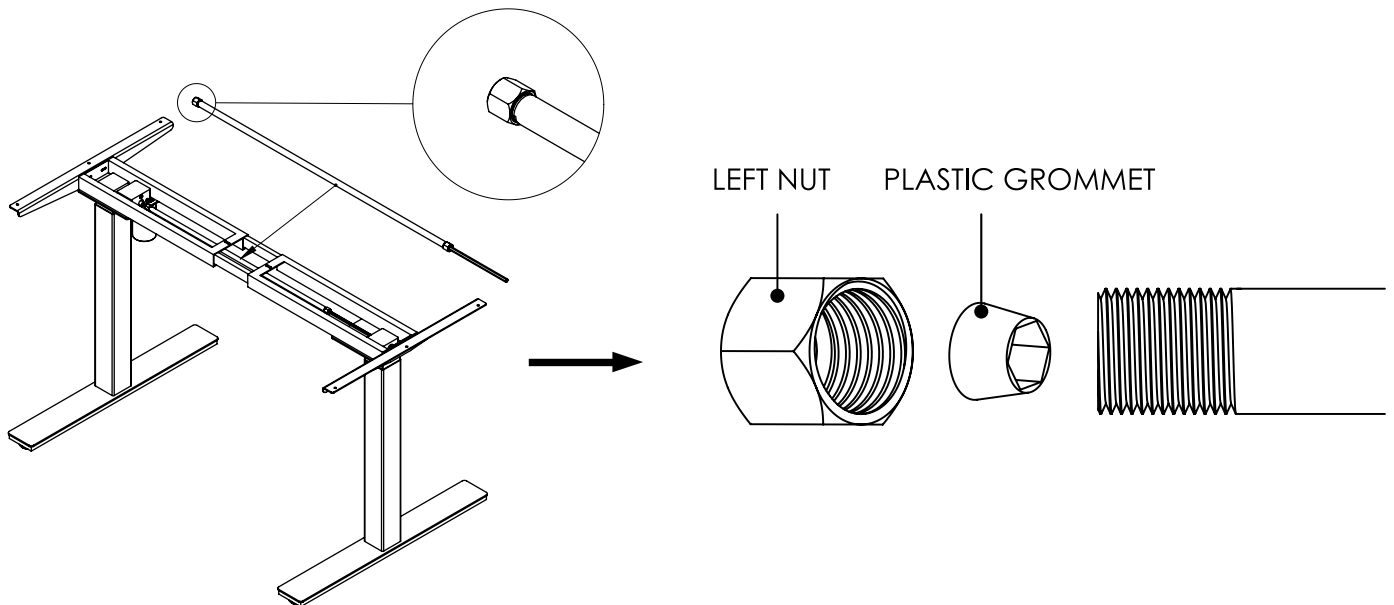


RIGHT COLUMN WITHOUT MOTOR



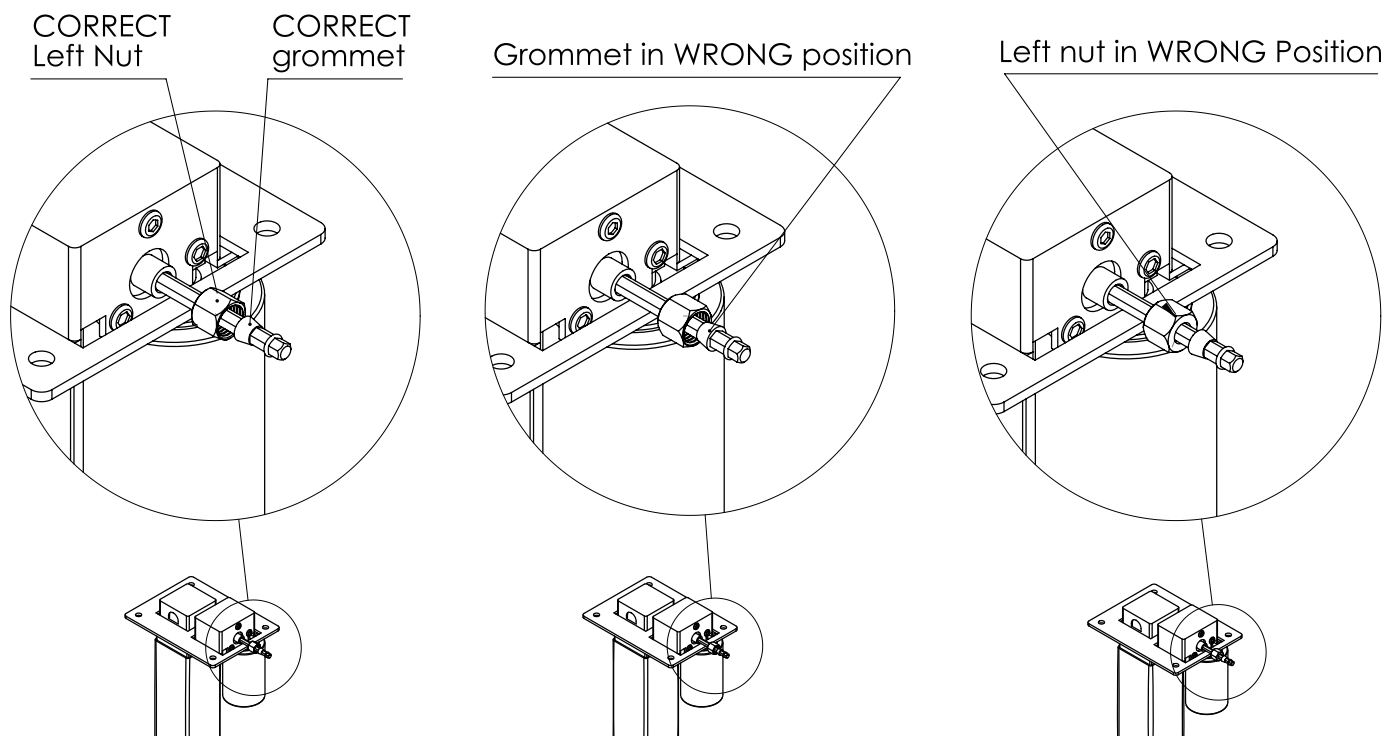
## Step 8

Turn the LEFT NUT counterclockwise to remove it from the DRIVESHAFT. Keep the PLASTIC GROMMET inside the LEFT NUT.



## Step 9

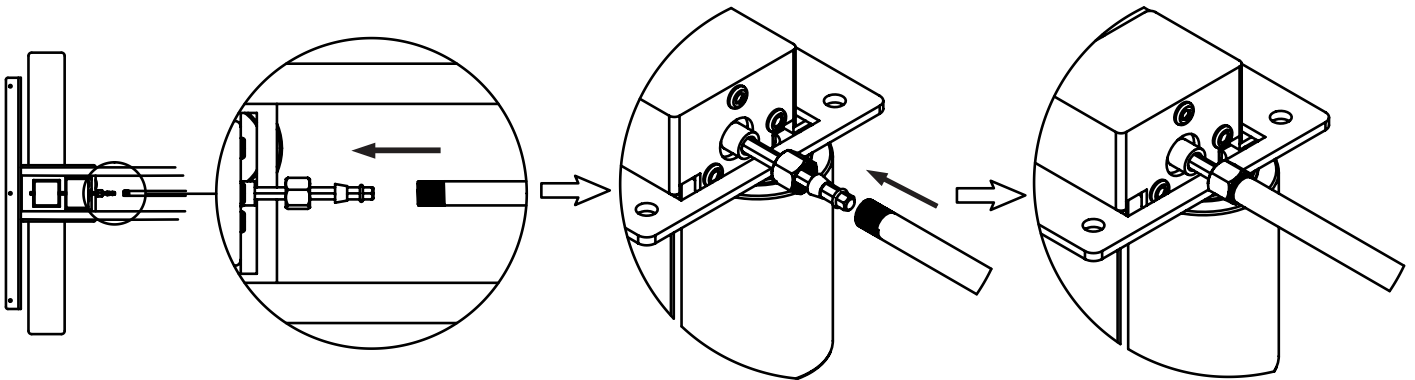
Insert the LEFT NUT and PLASTIC GROMMET into the LEFT COLUMN. Pay attention to the insert direction.





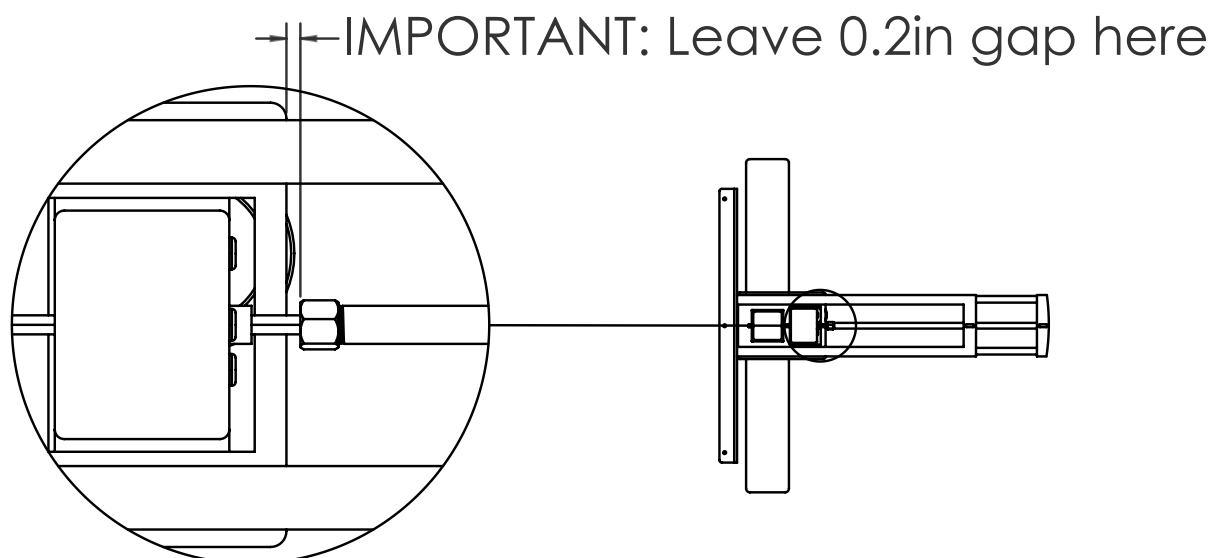
## Step 10

Insert the DRIVESHAFT into the LEFT COLUMN. Push the DRIVESHAFT all the way in.



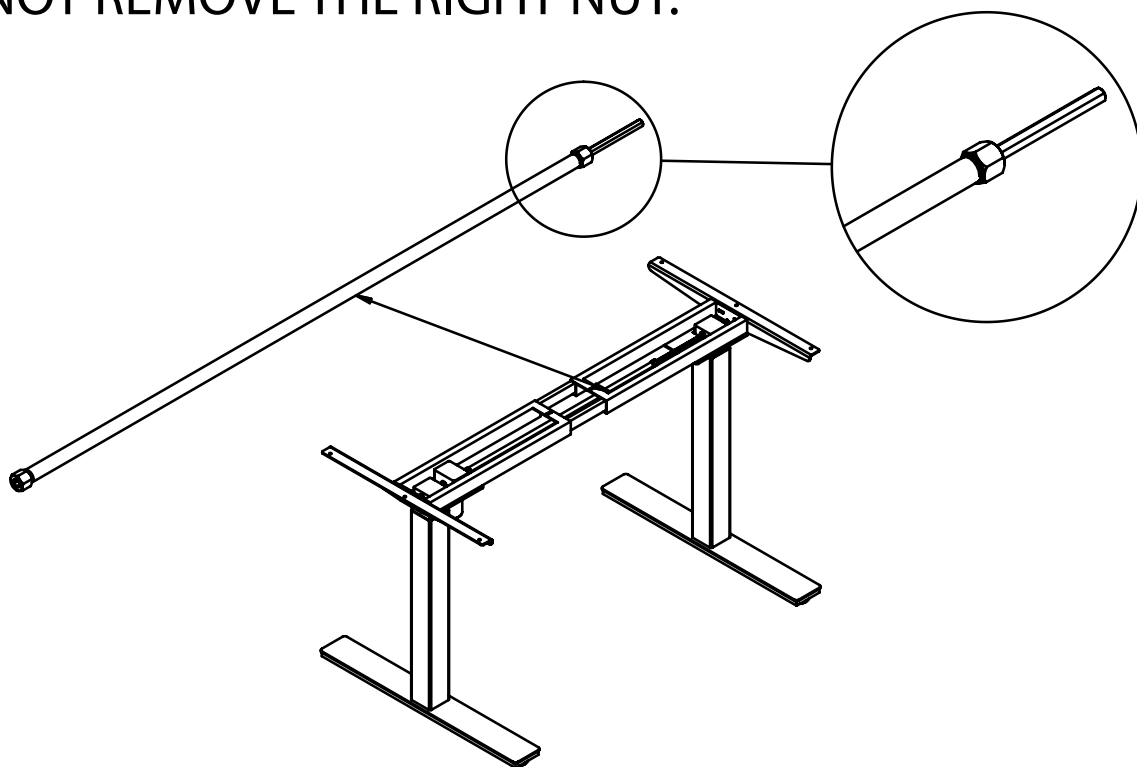
## Step 11

Turn the LEFT NUT clockwise to firmly lock the DRIVESHAFT in place. Leave a small gap (about 0.2in) between the LEFT NUT and the LEFT COLUMN so they won't block the DRIVESHAFT when it turns.



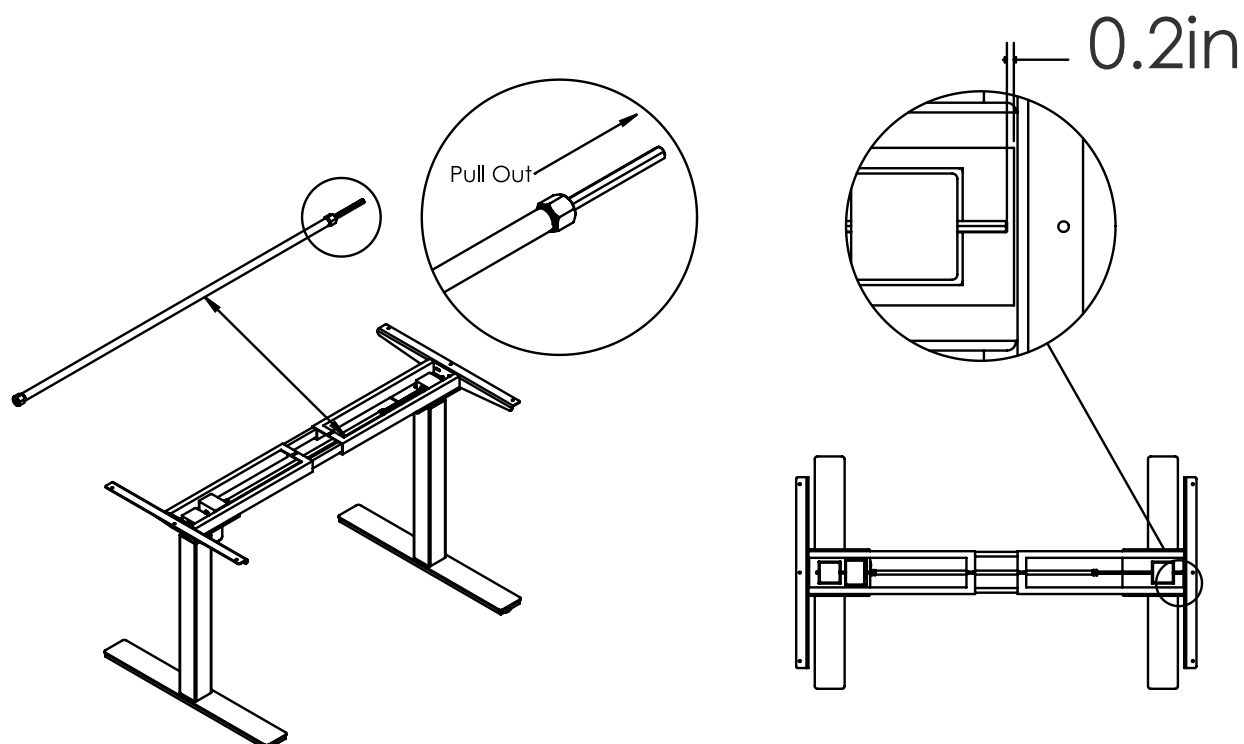
## Step 12

Slightly loosen the RIGHT NUT by turning it once around.  
DO NOT REMOVE THE RIGHT NUT.



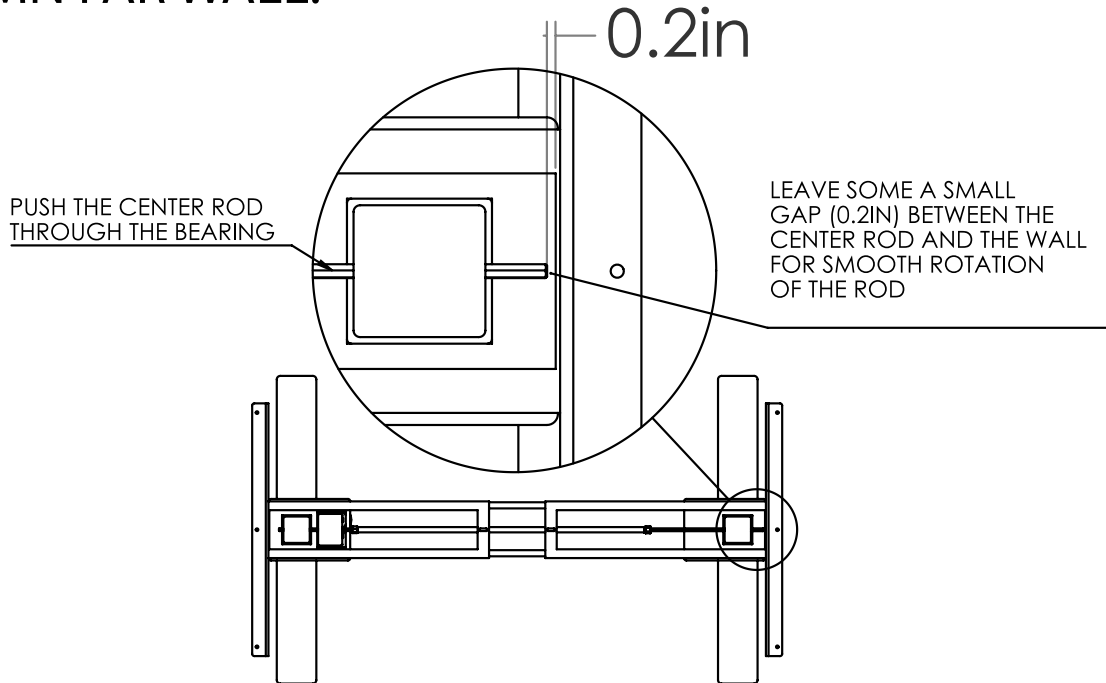
## Step 13

Pull the CENTER ROD out and insert it into the RIGHT COLUMN



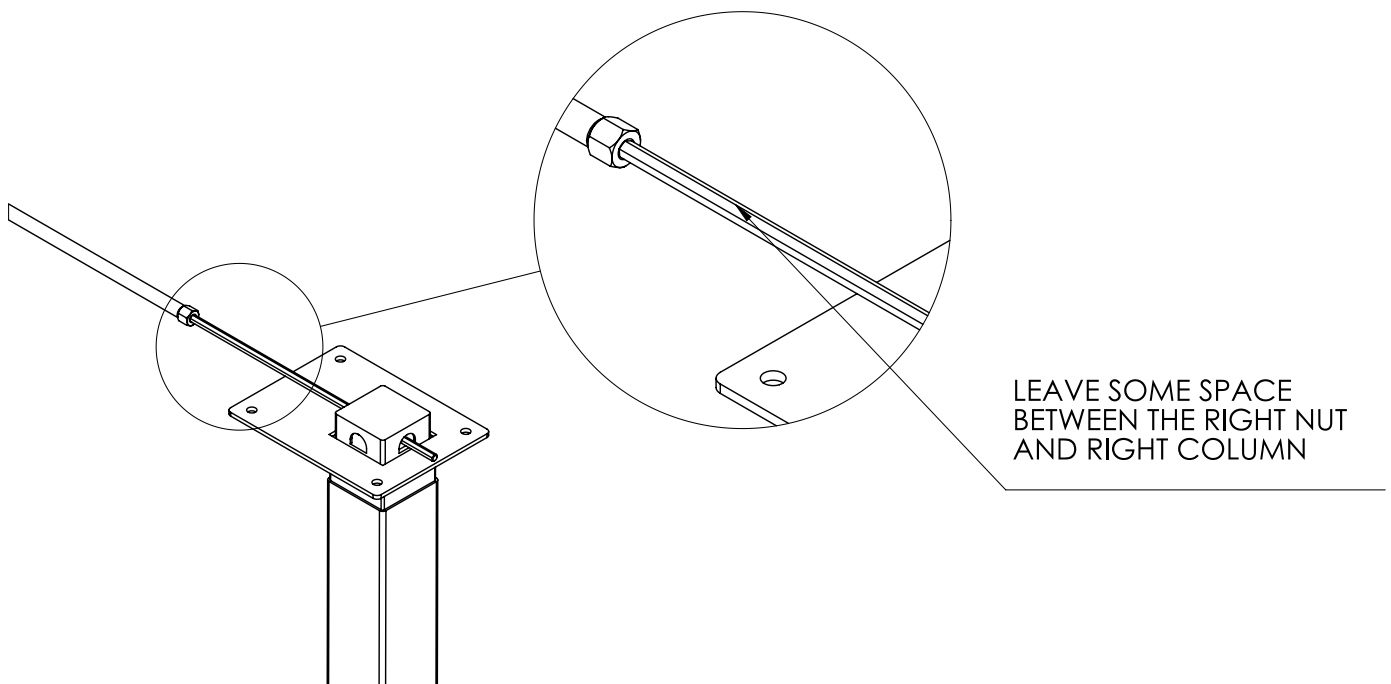
## Step 14

Push the CENTER ROD all the way in. Then leave a small gap (about 0.2 in) between CENTER ROD and RIGHT COLUMN FAR WALL.



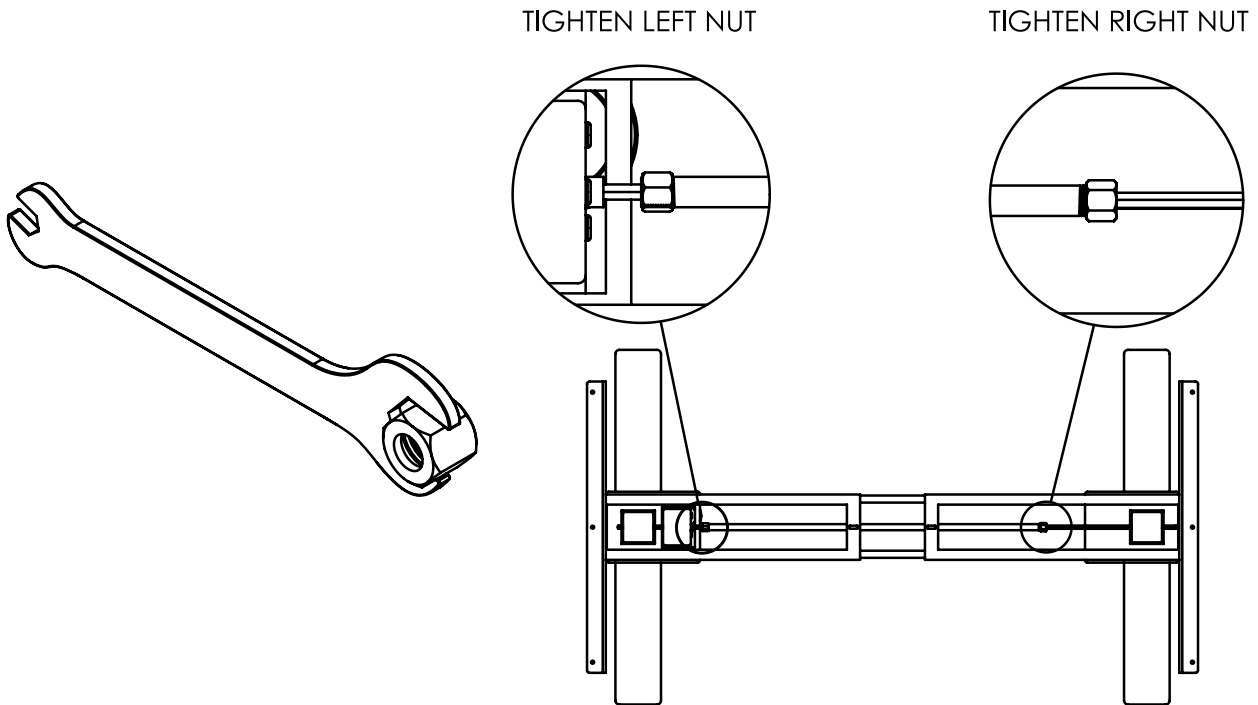
## Step 15

Turn the RIGHT NUT to lock the DRIVESHAFT in place. Do not let the RIGHT NUT touch the RIGHT COLUMN.



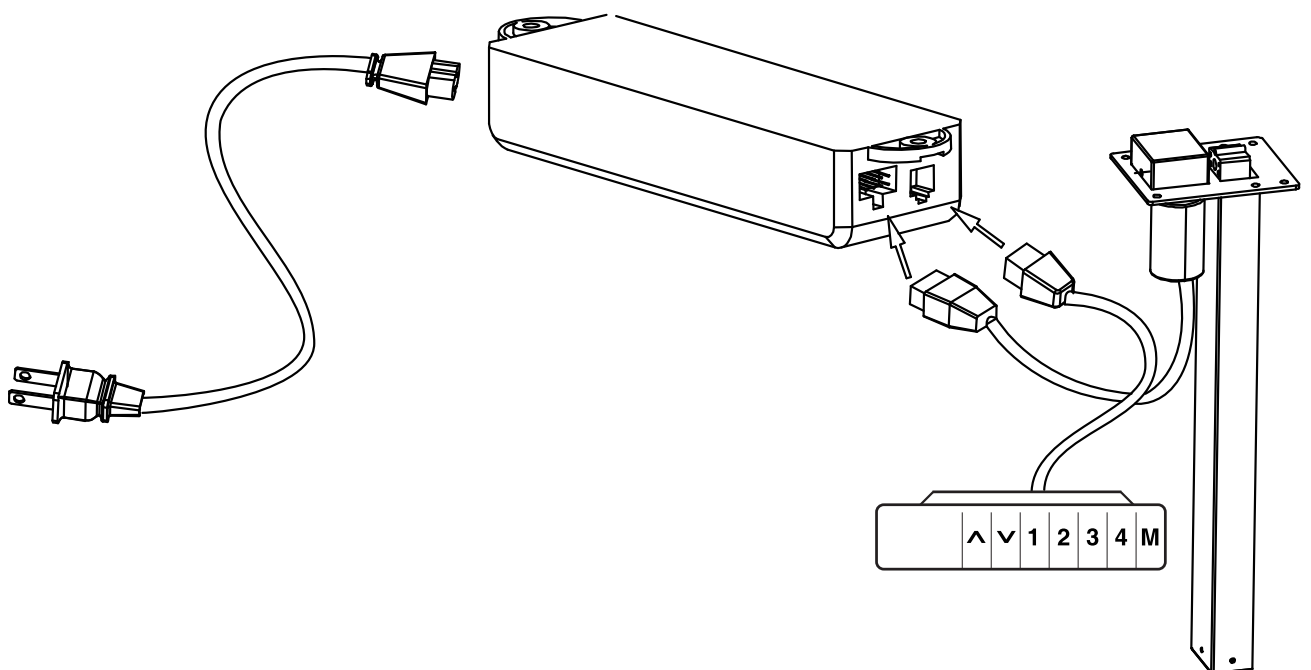
## Step 16

Use the wrench to tighten both LEFT NUT and RIGHT NUT.



## Step 17

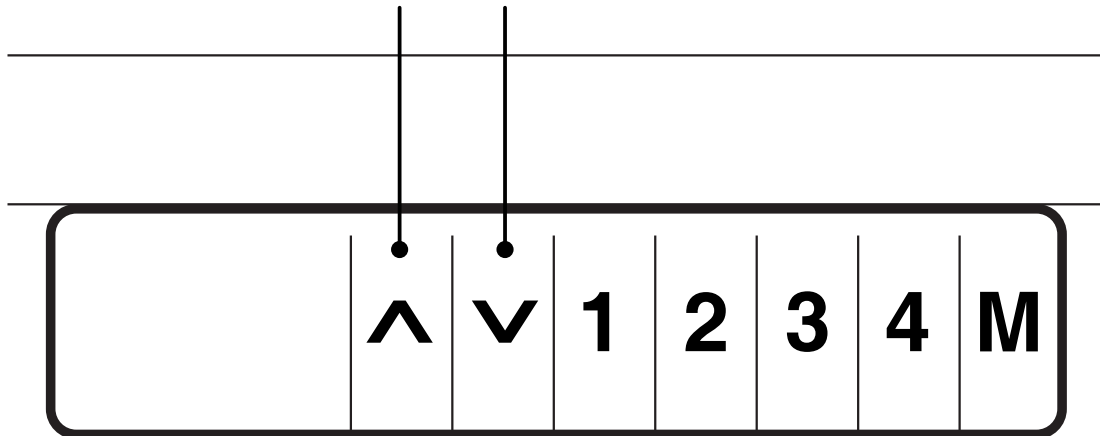
Connect the CONTROL BOX and SMART KEYPAD to your SmartDesk



## Step 18

Almost done. Turn on your SmartDesk by holding both the UP and DOWN buttons for 20 seconds until you hear a BEEP sound.

HOLD BOTH BUTTONS FOR 20S

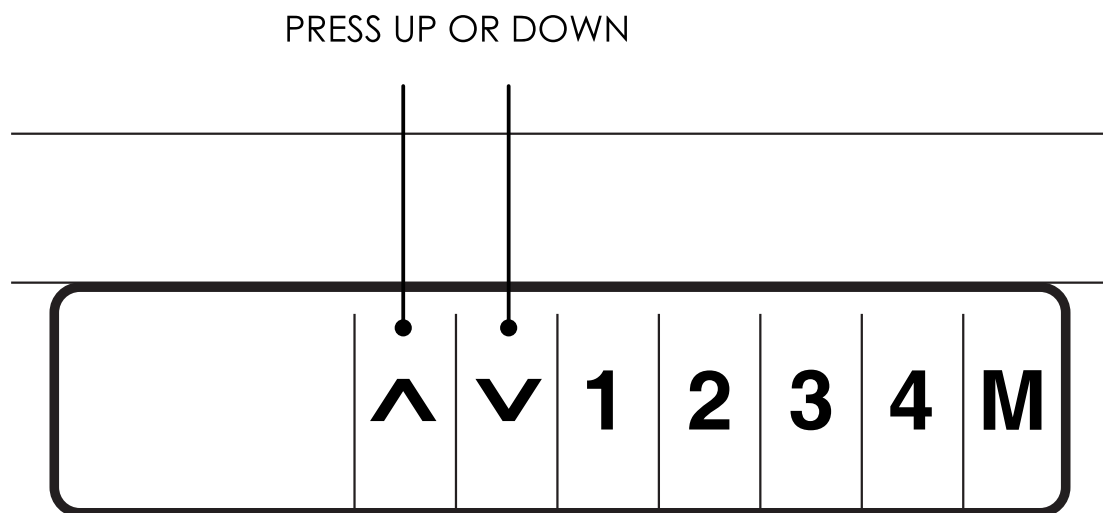


# IMPORTANT

DOUBLE CHECK YOUR  
DRIVESHAFT INSTALLATION

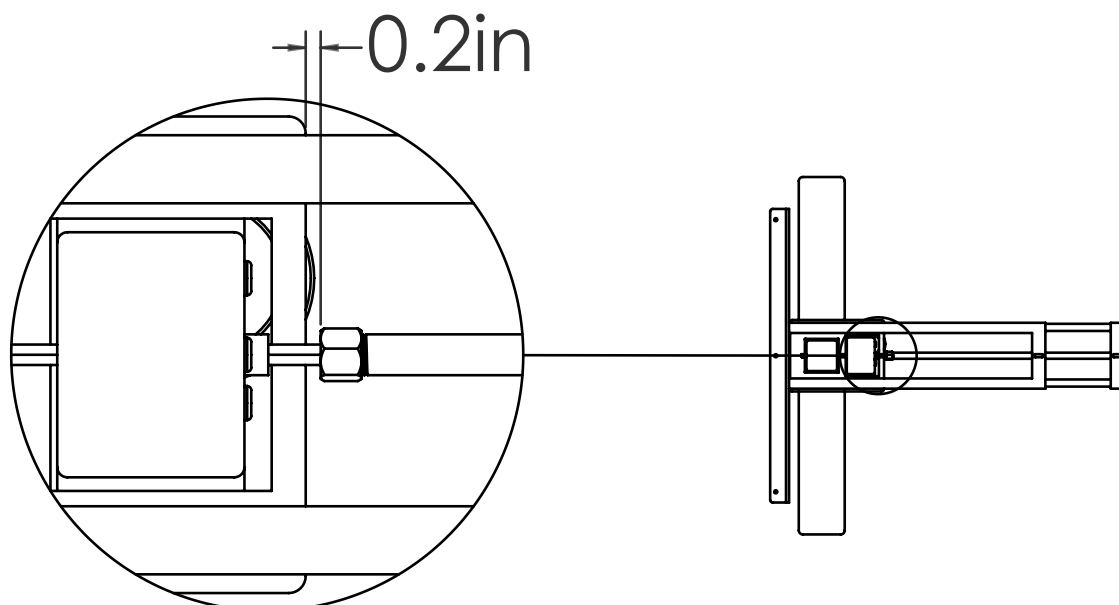
# Check 1

Press UP to raise your SmartDesk up. Press Down to lower your SmartDesk. Repeat it a few times.



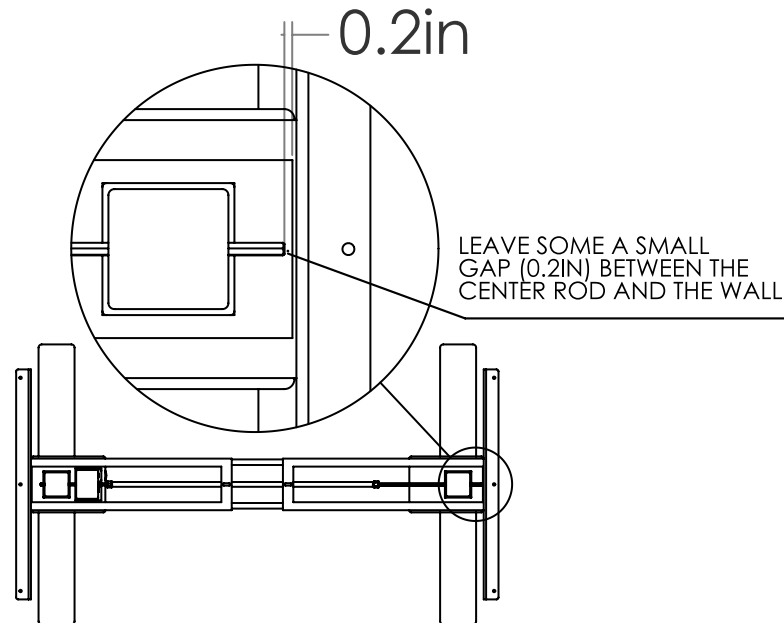
# Check 2

There is a still small gap (about 0.2 in) between the LEFT NUT and the LEFT COLUMN. If not, adjust the LEFT NUT location. Tighten it with the wrench.



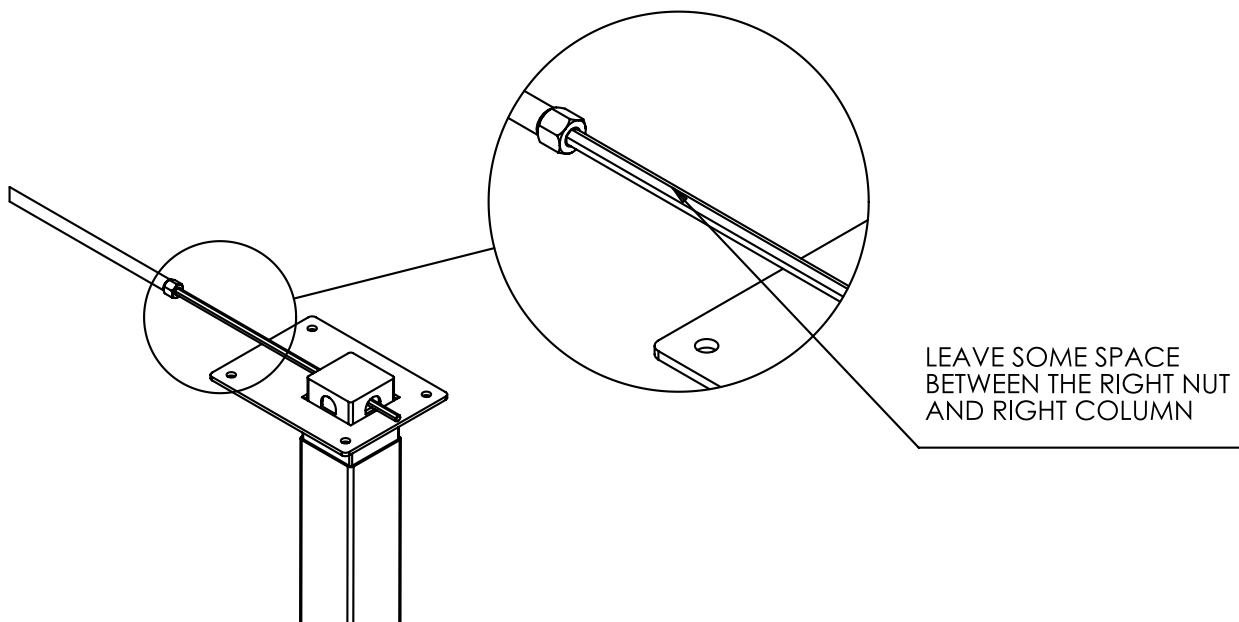
## Check 3

There is still a small gap (0.2 in) between the CENTER ROD and the wall of the RIGHT COLUMN. If not, adjust the RIGHT NUT and CENTER ROD. Tighten the RIGHT NUT with the wrench.



## Check 4

There is a gap between the RIGHT NUT and the RIGHT COLUMN. If not, adjust the RIGHT NUT. Tighten it with the wrench.

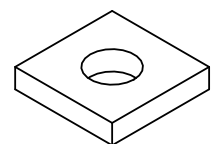
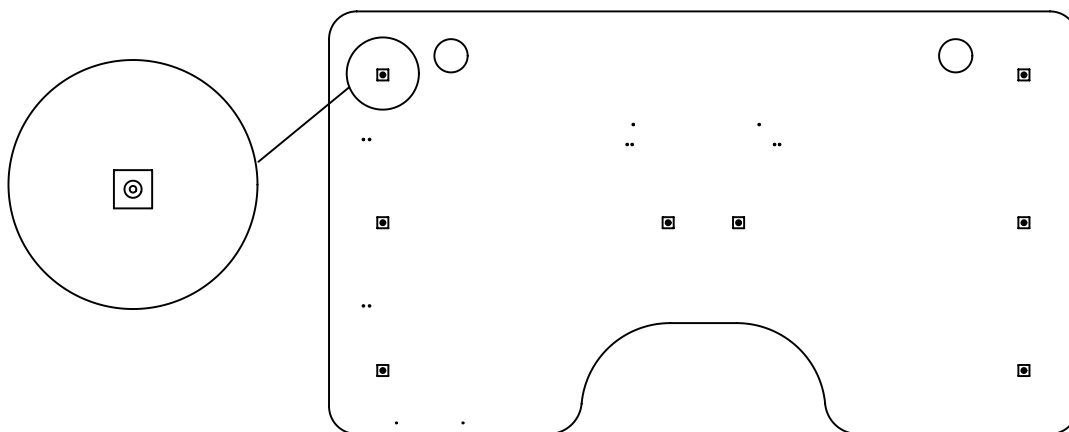


# CONGRATULATIONS!

## You're now a driveshaft installation expert!

### Step 19

Insert the noise dampener on to the holes on the desk top.

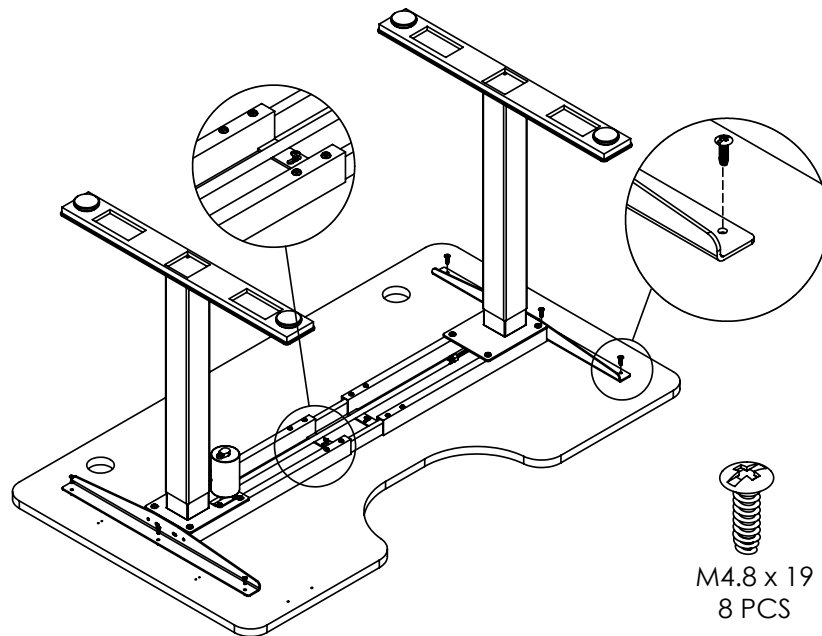


M4.8 x 19  
8 PCS



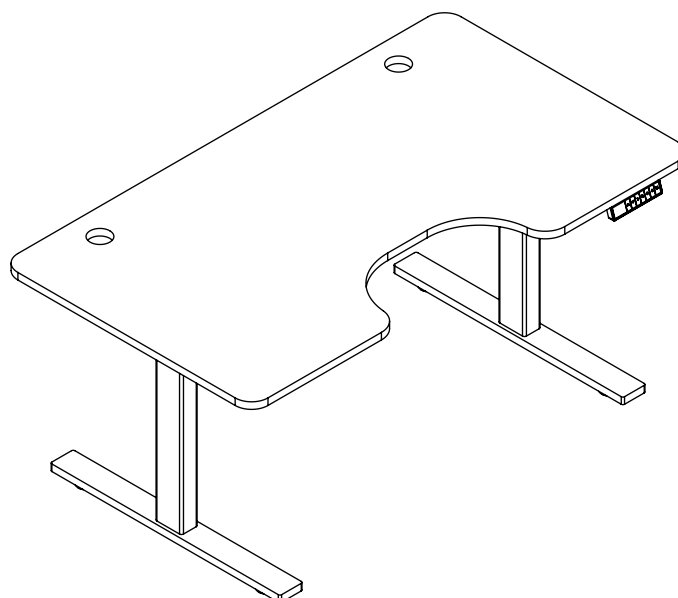
## Step 20

Readjust the frame length if needed, then tighten 8 M6x10 Hex screws from step 3. Attach the frame to the top using 8 M4 x 19 Wood screws (3 for each side and 2 in the middle).



## Step 21

Attach the control box, control pad to the bottom of the table top using 2 M4.8 x 19 and 2 M3.5 x 19 wood screws. Plug the cables from the driving motor and the control pad into the control box, then the power cord.



# OPERATION GUIDE

## 1. Reset the desk

- Unplug the power cord to the control box.
- Unplug the cable from the keypad to the control box.
- Plug all the cables again.
- Do the reset: Press up and down buttons at the same time until it beeps and goes down to the lowest level. Release both buttons, then press only down until it shows the exact height.
- Your desk is ready to use.

## 2. Adjust SmartDesk's height

Press "Up" or "Down" button to adjust the height of the desk.

## 3. Program pre-set buttons

To use the presets on the SmartDesk, please follow the steps:

- Set the desk to the height you like.
- Press the M button until the LED flashes.
- Press the number you want the desk set to.

# **Autonomous**

## **smart office**

325 W 38th St, Floor 14, New York, NY 10018

[www.autonomous.ai](http://www.autonomous.ai)

[human@autonomous.ai](mailto:human@autonomous.ai)

v1.1