

## Unit Plus 60A

### Features

- Bathroom Sink
- Made of Ceramic
- Glossy White Finish
- With Concealed Overflow
- Available With One or No Faucet Holes
- Wall Mount or Countertop (Vessel) Installation
- Made in Italy



### Related Items:

- WSBC 53991 | Push Waste Drain
- WSBC 53922 | Decorative Trap

### Finishes:



Glossy White

### SKU# | Options:

- Unit Plus 60A.00 | No Faucet Hole
- Unit Plus 60A.01 | Single Faucet Hole

### Codes & Standards:

- ADA Compliant

\* WS Bath Collections reserves the right to revise dimensions or information on this sheet without notice

**Collection |**  
Unit Plus

**Model |**  
Unit Plus 60A

Dimensions Metric

*1 inch = 2.54 cm*

*1 inch = 25.4 mm*

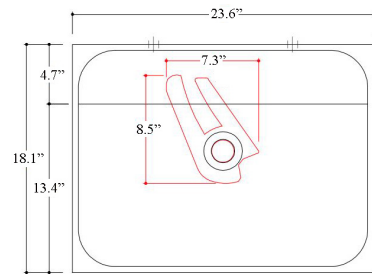
**WS**®  
**BATH**  
**COLLECTIONS**

1051 Lea Drive - Collegeville, PA 19426  
Tel. 215 513 9400 - Fax 610 831 0215

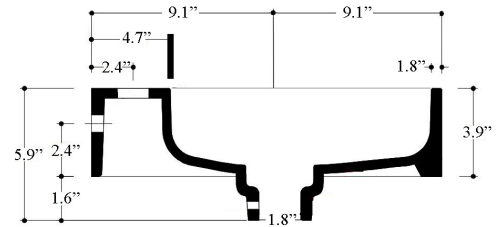
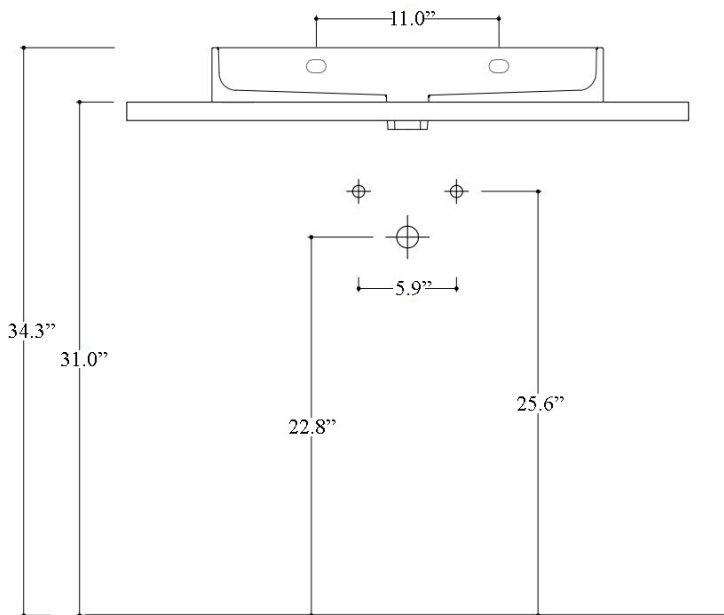
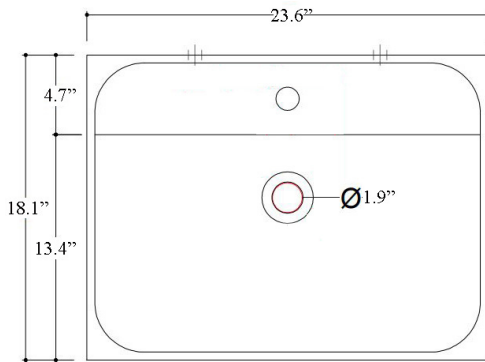
[www.ws bathcollections.com](http://www.ws bathcollections.com) - [info@ws bathcollections.com](mailto:info@ws bathcollections.com)

# Product Specs Sheets

## Unit Plus 60A



Bottom View  
Concealed Drain Configuration



**Collection |**  
Unit Plus

**Model |**  
Unit Plus 60A

Dimensions Metric

1 inch = 2.54 cm  
1 inch = 25.4 mm

**WS**®  
**BATH**  
**COLLECTIONS**

1051 Lea Drive - Collegeville, PA 19426  
Tel. 215 513 9400 - Fax 610 831 0215

[www.ws bathcollections.com](http://www.ws bathcollections.com) - [info@ws bathcollections.com](mailto:info@ws bathcollections.com)

We recommend the following items that work with your sink.

Unit Plus 60A

## TRAPS



WSBC 53922  
*Our best seller*

Polished Chrome  
WSBC 53922.29

Matte Black  
WSBC 53922.22



WSBC 5392

Polished Chrome  
WSBC 5392.29



WSBC 53925

Polished Chrome  
WSBC 53925.29



WSBC 53921  
*Space saving*

Polished Chrome  
WSBC 53921.29

Matte Black  
WSBC 53921.22

## DRAINS



WSBC 53991  
Push waste drain (click clack)  
*with overflow*

Polished Chrome  
WSBC 53991.29

Glossy White  
WSBC 53991.09

Glossy Black  
WSBC 53991.18

Matte White  
WSBC 53991.26

Matte Black  
WSBC 53991.22

## MOUNTING HARDWARE

### Wall-mount installation

### Vessel/ countertop installation



Bolts



Silicone (optional)

Collection  
Unit Plus

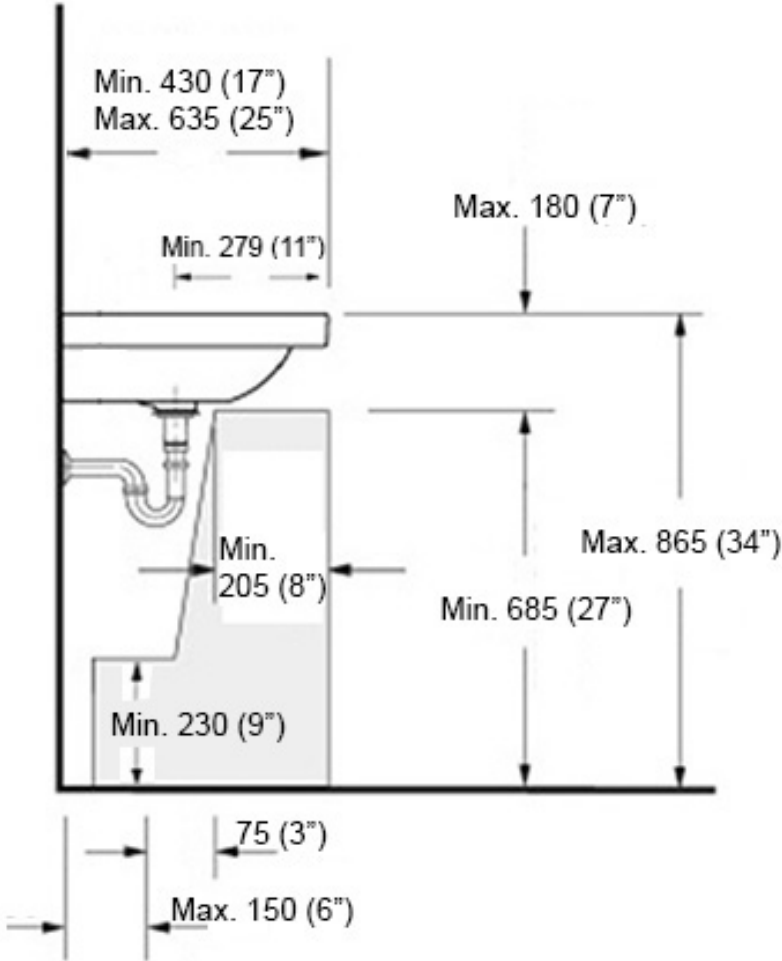
Model |  
Unit Plus 60A

Dimensions Metric  
*1 inch = 2.54 cm*  
*1 inch = 25.4 mm*


WS<sup>®</sup>  
BATH  
COLLECTIONS

1051 Lea Drive - Collegeville, PA 19426  
Tel. 215 513 9400 - Fax 610 831 0215  
[www.ws bathcollections.com](http://www.ws bathcollections.com) - [info@ws bathcollections.com](mailto:info@ws bathcollections.com)

**Recommended ADA Installation**



Note: ADA Compliant when installed in accordance with ADA guidelines

<p><b>Collection</b> Unit Plus</p>	<p><b>Model</b>   Unit Plus 60A</p>	<p>Dimensions Metric 1 inch = 2.54 cm 1 inch = 25.4 mm</p>	 <p>1051 Lea Drive - Collegeville, PA 19426 Tel. 215 513 9400 - Fax 610 831 0215 <a href="http://www.ws bathcollections.com">www.ws bathcollections.com</a> - <a href="mailto:info@ws bathcollections.com">info@ws bathcollections.com</a></p>
--	---	--	---