

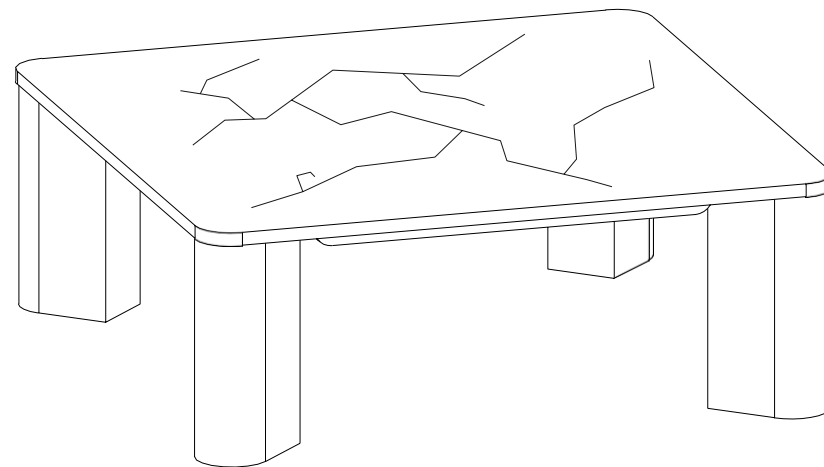
# MOE'S

home collection

## **ASSEMBLY INSTRUCTIONS.**



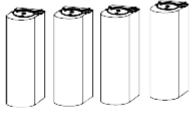





SEGMENT COFFEE TABLE ASHEN GREY MATRIX

**JD-1048-15**



THANK YOU FOR YOUR PURCHASE!

# PARTS AND HARDWARE.

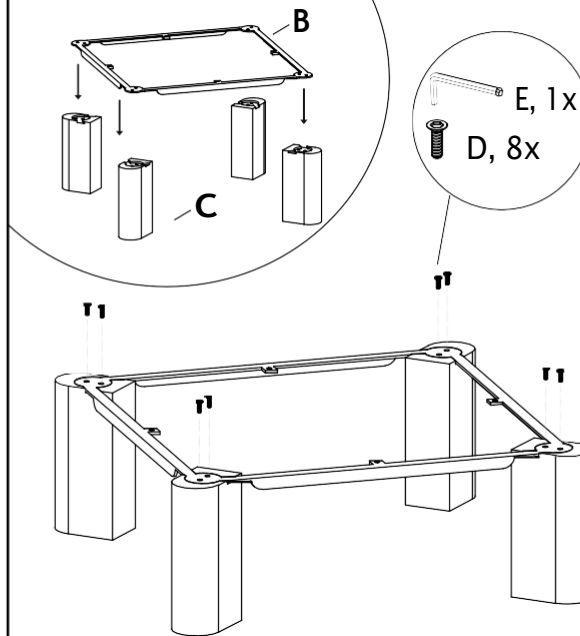
(A) Top, 1x	
(B) Metal Frame, 1x	
(C) Legs, 4x	
(D) CSK Bolt 20x6mm, 8x	
(E) Allen Key 4mm, 1x	
(F) Jcb bolt 16x8mm, 4x	
(G) Flat Washer 8mm, 4x	
(H) Allen Key 5mm, 1x	

## NOTES.

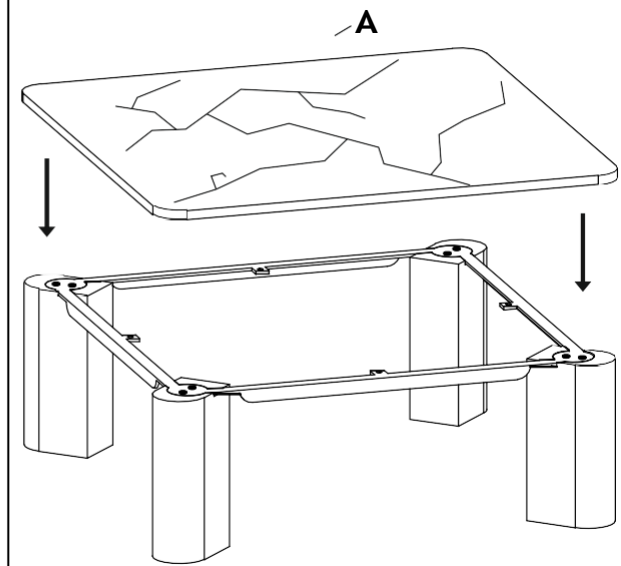
Thank you for purchasing this quality product! Be sure to check all packing material carefully for small part that may have come loose inside the carton during shipping.

**CAUTION:** The item is heavy, assembly should be performed by two people.

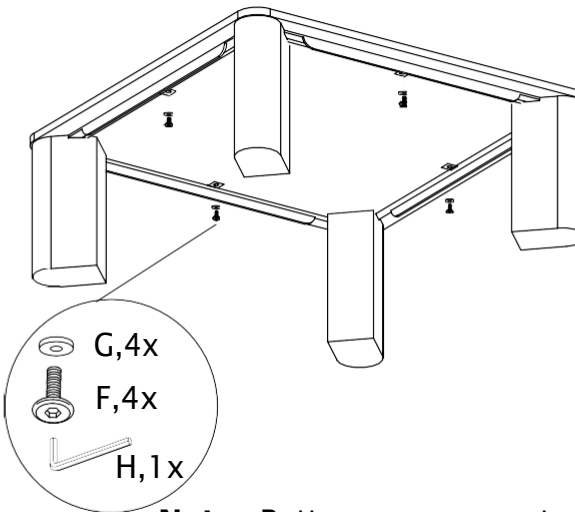
## Step 1



## Step 2



## Step 3



**Note:**-Bottom screws are to hold the marble top in position, do not over tight.

## Finish

