

ASSEMBLY INSTRUCTIONS

9300144
9300179

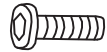
HARDWARE

Ax4



M6

Bx2



M6X25MM

Cx2



M6X16MM

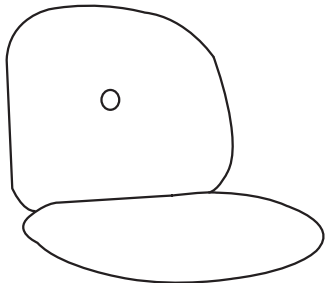
Dx1



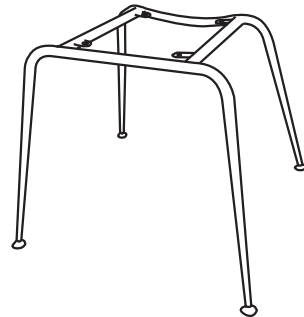
M6

PARTS

1x1

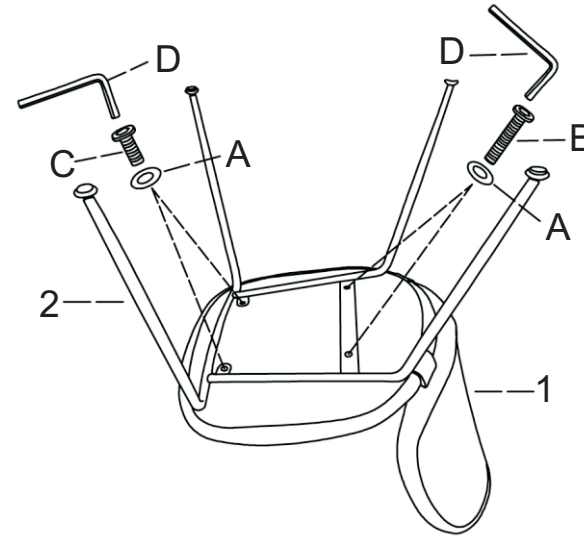


2x1



The more vertical and higher legs are front legs and more slanted legs are rear legs. Make sure to screw the straight part of seat to front legs and the curved part of seat to the rear legs.

(1)



(2)

