



**BM-012ORB DALYSS  
Single Lever Vessel Faucet**

Requested By: \_\_\_\_\_

Specific Features: \_\_\_\_\_

**STANDARD SPECIFICATIONS:**

- Vessel faucet with oil rubber bronze finish
- Single handle control
- Solid brass construction
- High pressure ceramic cartridge
- Single hole deck mount installation
- 1.5-inch diameter hole required
- cUPC and AB1953 low lead compliant
- ASME A112.18.1-1-2011/CSA B125.1-11
- NSF 61 and NSF 372 certified

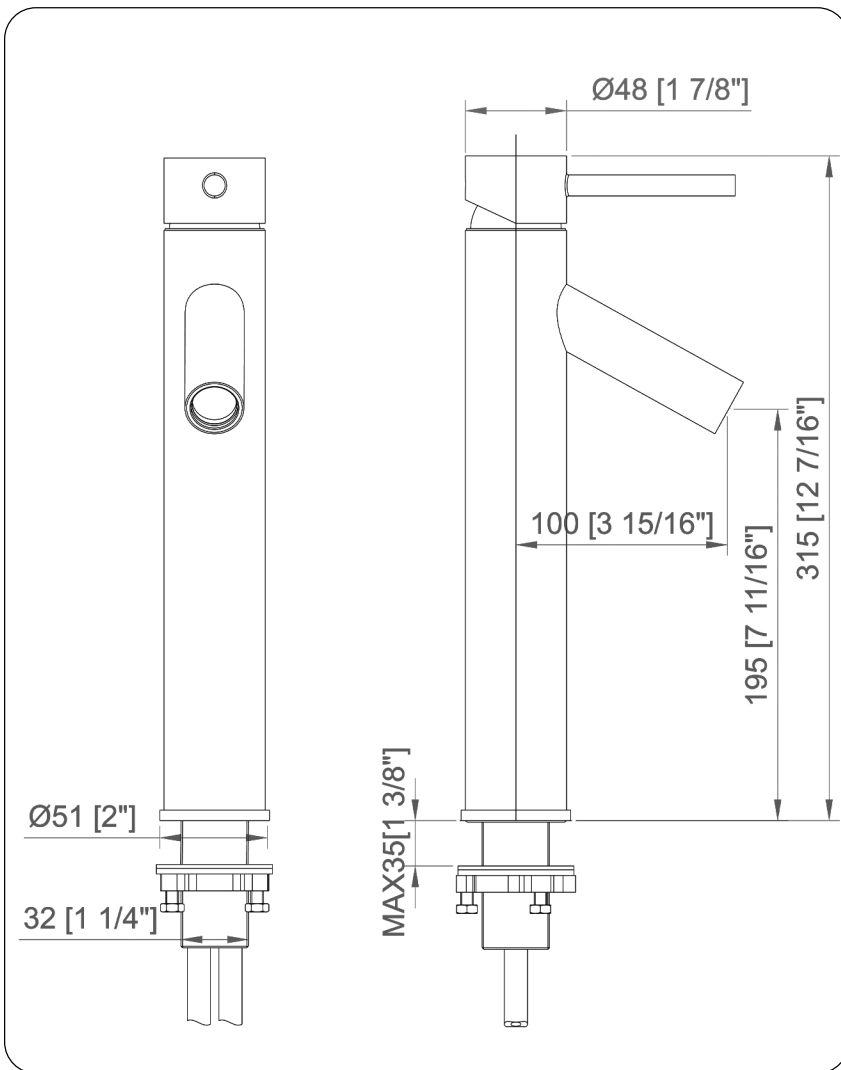
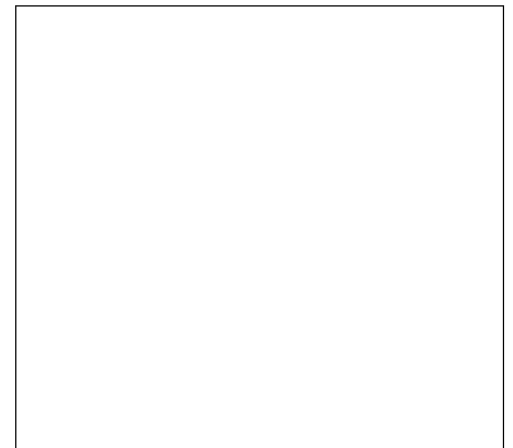
**WARRANTY:**

- Limited lifetime warranty
- See [www.Novatto.com](http://www.Novatto.com) for details

**COORDINATING ACCESSORIES:**

- PUD-ORB pop-up drain
- MR-001ORB mounting ring
- Glacier Ice Restoration and Sealer kit

**NOTES**



Novatto reserves the right (1) to make changes in specifications and materials, and (2) to change or discontinue models, both without notice or obligation. Dimensions are for reference only, see [www.Novatto.com](http://www.Novatto.com) for finish options and product availability.

Novatto Inc  
TOLL FREE 844.404.4242  
[www.Novatto.com](http://www.Novatto.com)