
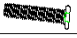


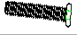


ASSEMBLY INSTRUCTION

Item#: 5960-10458-MULTI Lytle Writing Desk

** Please make sure you have all parts indicated below prior to assembly.
This desk is heavy and can best be assembled with the help of two or more people.

NO.	HARDWARE LIST		Q'TY
A		ALLEN WRENCH	1
B		35MM BOLT	8
C		LOCK WASHER	10
D		FLAT WASEHR	10
E		80MM BOLT	2

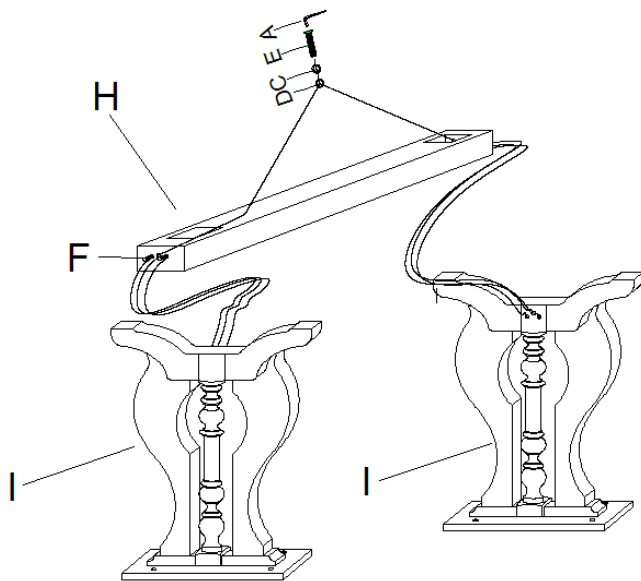
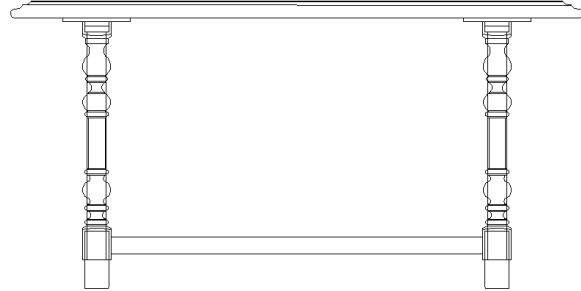


Diagram 1

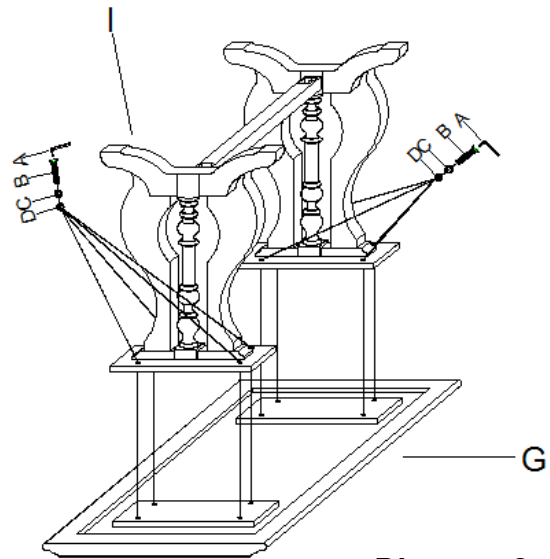


Diagram 2

Assembly steps:

1. Insert locator dowels (F) on stretcher (H) into the pre-drilled holes on bases (I), use bolts (E), lock washers (C) and flat washers (D), secure with allen wrench (A) in clockwise direction. (See Diagram 1)
2. Place desk top (G) upside down on a soft surface to prevent it from being scratched.
3. Attach pedestals to top by using bolts (B), lock washers (C) and flat washers (D), tighten all with allen wrench (A). (See Diagram 2)
4. Turn desk upright.

Cleaning Instruction: Clean finished parts with a damp cloth using a mild dishwashing liquid and water solution. Polish the finish with soft cloth and an industry recognized furniture polish.