

# Lehigh Collection 4' Glider Bench

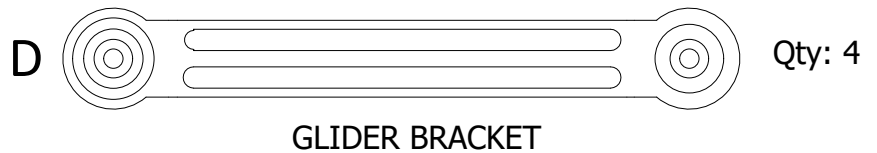
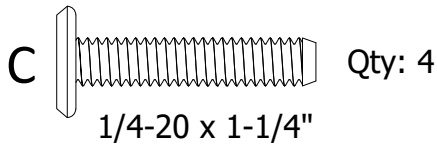
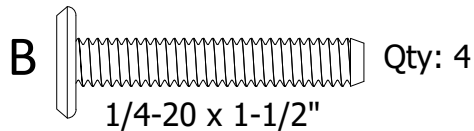
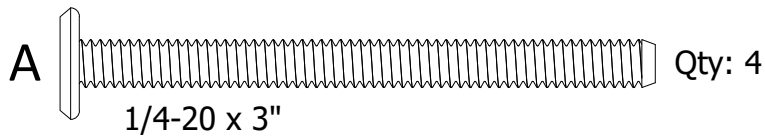
## Assembly Guide



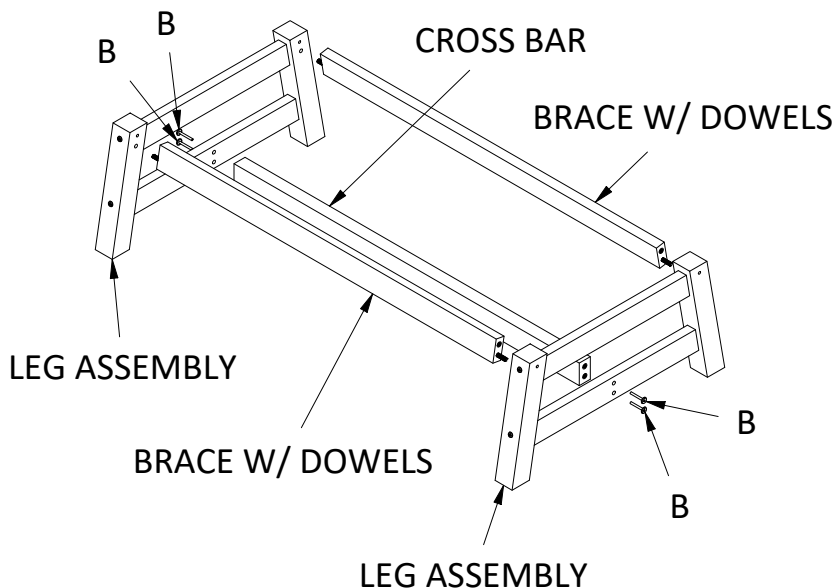
### IMPORTANT!

DO NOT fully tighten the bolts until all bolts are started.  
Once all bolts are inserted, go back & tighten all the bolts.

### HARDWARE INCLUDED



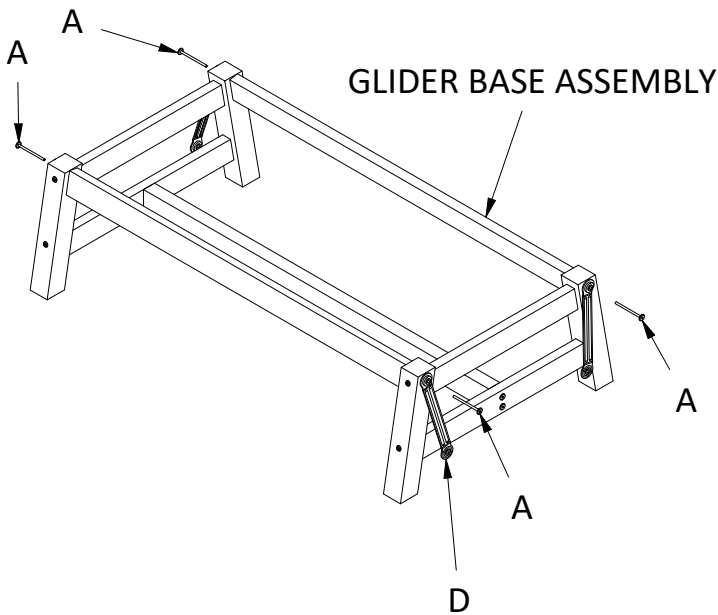
### TOOLS INCLUDED



### STEP #1

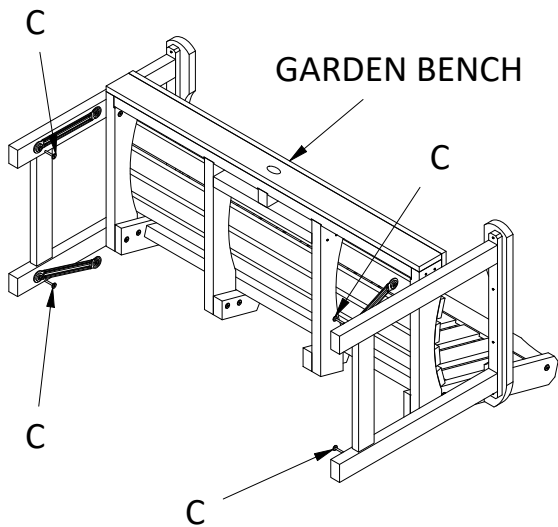
Attach Cross Bar to Leg Assemblies using (4) B Bolts as shown.

Align Braces with Dowels in Leg Assemblies as shown.



**STEP #2**

Attach (4) D Glider Brackets to Glider Base Assembly using (4) A Bolts as shown.



**STEP #3**

Lay Garden Bench on its side.

Attach Glider Base Assembly to Garden Bench using (4) C Bolts as shown.

Assembly is complete.

