

ASSEMBLY INSTRUCTION

Item#: 5004-75200 RECTANGLE LEG DINING TABLE

*** Please make sure you have all parts indicated below prior to assembly.

This unit is heavy and can best be assembled with the help of two or more persons.

NO.	HARDWARE LIST		Q'TY
A		FLAT WASHER	8
B		LOCK WASHER	8
C		BOLT	8
D		ALLEN WRENCH	1

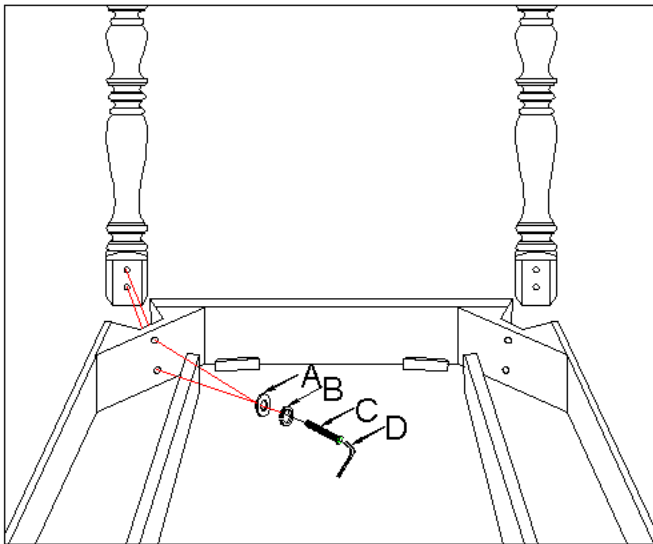


Diagram 1

Assembly steps:

1. Place the table top upside down on a flat, soft surface to prevent from scratching the finish.
2. Attach each leg to the table top using 2 bolts (C), 2 lock washers (B) and 2 flat washers (C). Please match the numbers on leg and corner block accordingly. Tighten all bolts securely with Allen Wrench (D) (see diagram 1).
3. Turn the table upright.

Caution: Do not over tighten.

Cleaning Instruction: Clean finished parts with a mild dishwashing liquid and water solution on a damp cloth. Polish the finish with soft cloth and an industry recognized furniture polish.