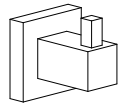
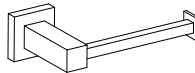




Installation Guide



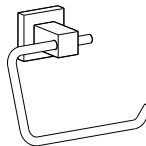
**Cube
KBA1501**



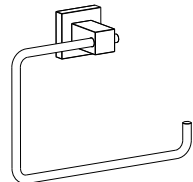
**Cube
KBA1502**



**Cube
KBA1503**



**Cube
KBA1505**



**Cube
KBA1506**

Installation Considerations

These products should be located and mounted to a wall stud. While it is possible to mount them to any surface, a stud mounted product will yield the best results.

Keep this booklet and the receipt (or other proof of date and place of purchase) for this product in a safe place. The receipt is required to request warranty parts.

Please keep the box and packaging materials until your product is completely installed.

SAFETY TIPS

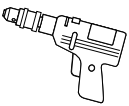
⚠️WARNING!

This item is not designed for use as a grab bar. Do not mount in locations where product is likely to be used as a grab bar.

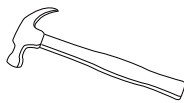
⚠️WARNING!

Use caution when drilling into walls to avoid drilling into electrical and plumbing lines hidden within wall.

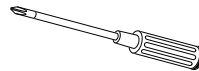
Tools you may need



Electric drill



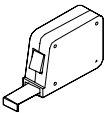
Hammer



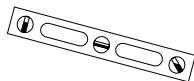
Phillips screwdriver



Pencil



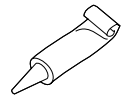
Tape measure



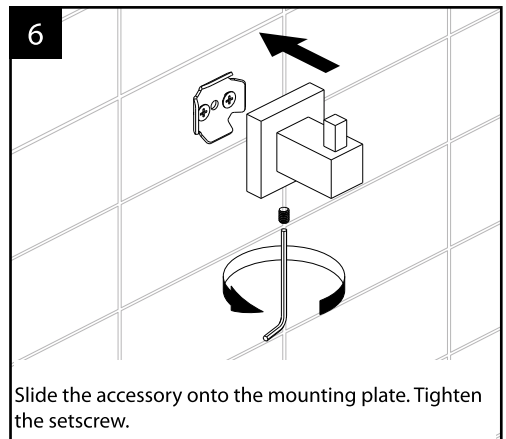
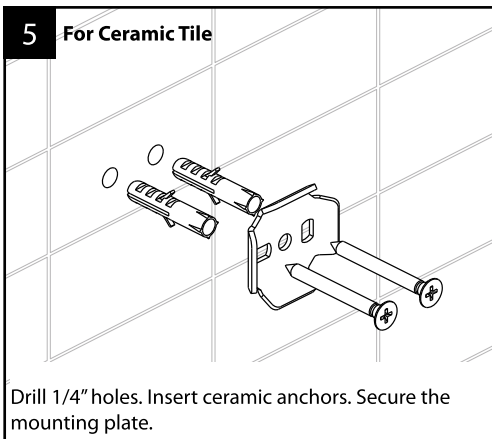
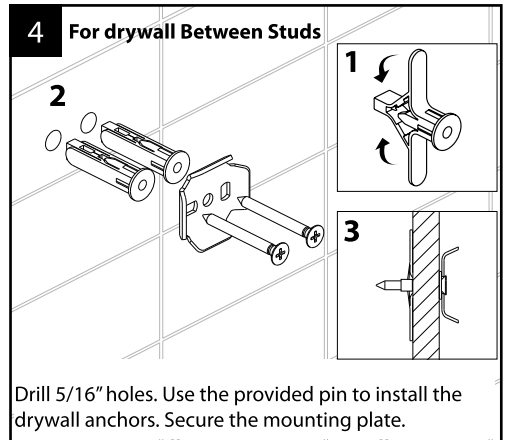
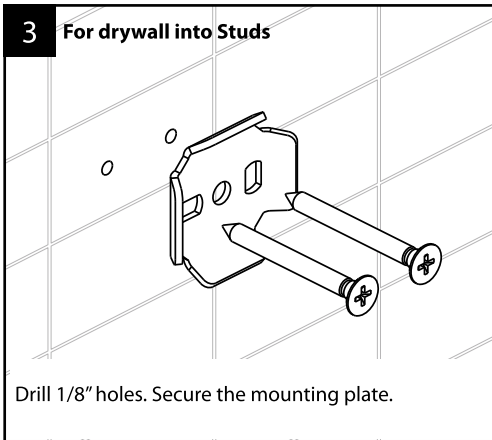
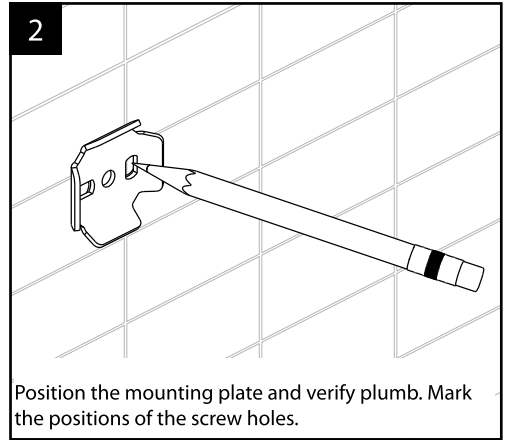
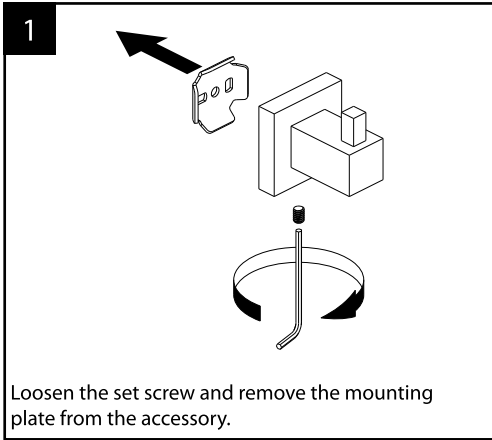
Level



1/4 in. drill bit



Silicone sealant



Cleaning Instructions:

To maintain and protect the fine luster of all bath accessories, clean with a soft, damp cloth only. DO NOT USE scrub pads, detergents or cleansers as they may harm the protective finish of your bath accessories.

Damage to the product caused by improper care or the use of improper cleaning agents is not covered by the warranty.

Warranty:

Warranted to be free from manufacturing defects for a period of one (1) year from the date of purchase.

