

# Karran<sup>®</sup>

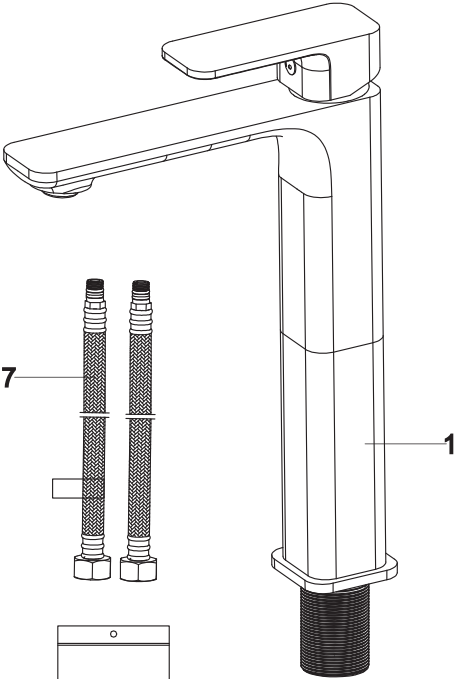
---

## INSTALLATION GUIDE

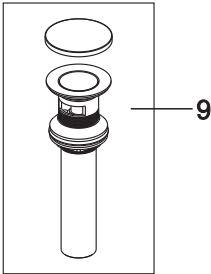
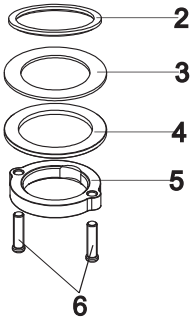
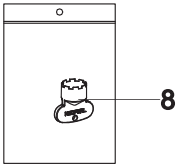
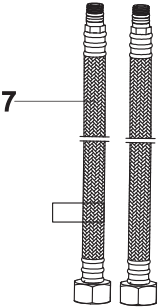


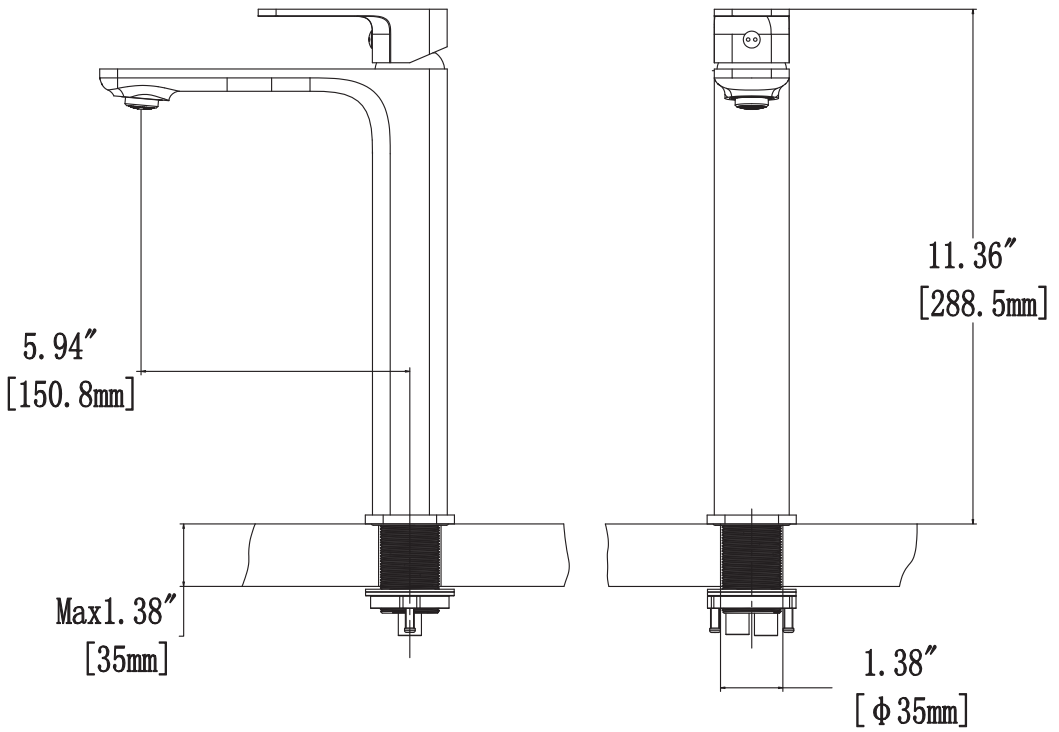
## Venda

**Models:** KBF512C    KBF512SS  
KBF512MB



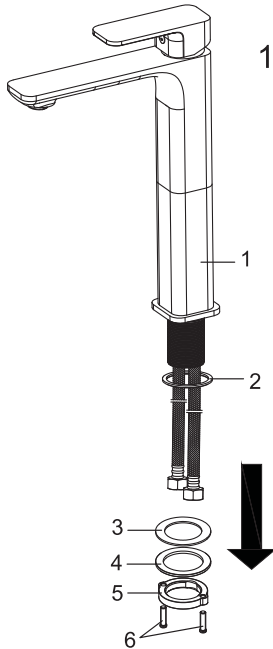
1. Faucet Body
2. O-ring
3. Rubber Washer
4. Metal Washer
5. Mounting Nut
6. Mounting Screws
7. Supply Lines
8. Aerator Wrench
9. Pop-up Drain





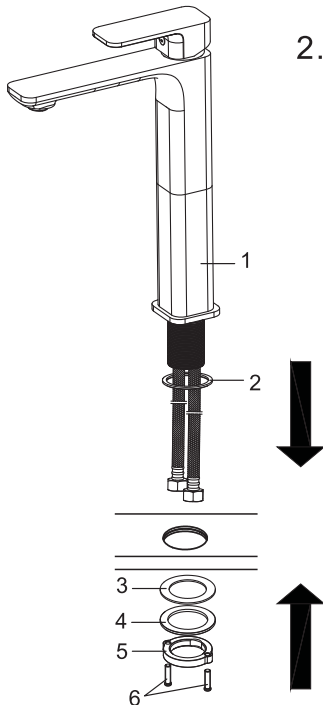
# INSTALLATION GUIDE

## STEP 1



1. Remove the mounting nut (#5), rubber washer (#3) and metal washer (#4) from the faucet body (#1).

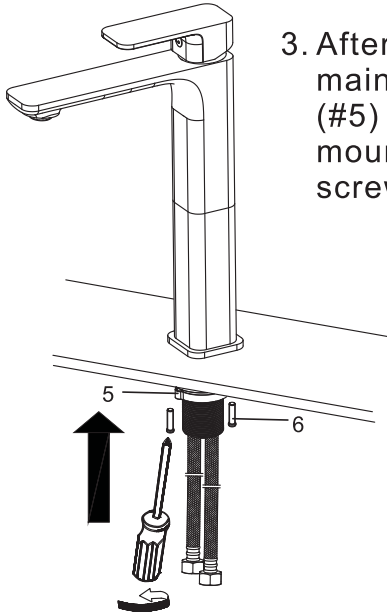
## STEP 2



2. Insert the main body into the hole with the o-ring (#2),refix the rubber washer (#3),metal washer (#4) and mounting nut (#5) from the faucet bottom.

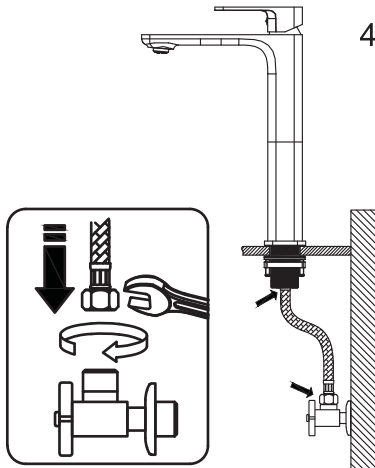
# INSTALLATION GUIDE

## STEP 3



3. After adjusting the direction of the main body, tighten the mounting nut (#5) with hands and tighten the mounting screws (#6) with a Philips screwdriver.

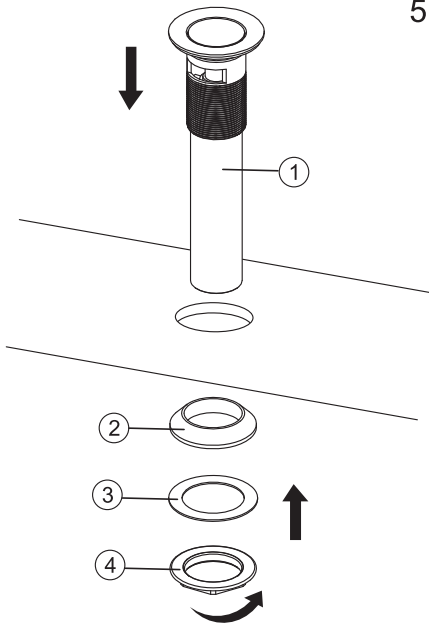
## STEP 4



4. Connect the water lines to the supply valves tightly. Turn on the valves and check all connections at arrows for leaks. Re-tighten if necessary.

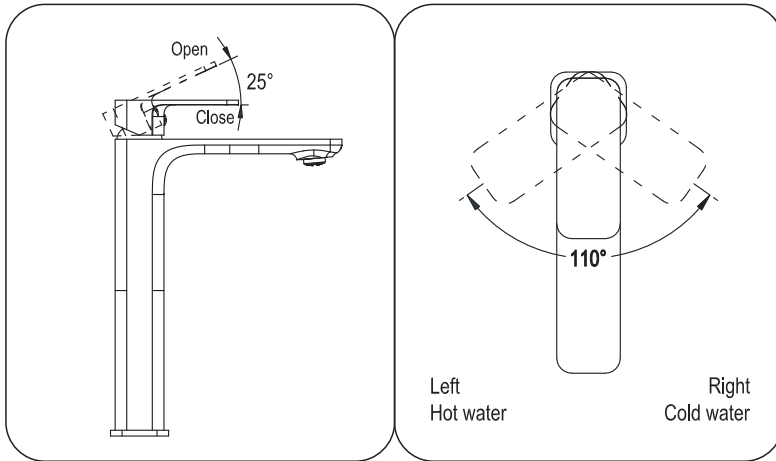
# INSTALLATION GUIDE

## STEP 5



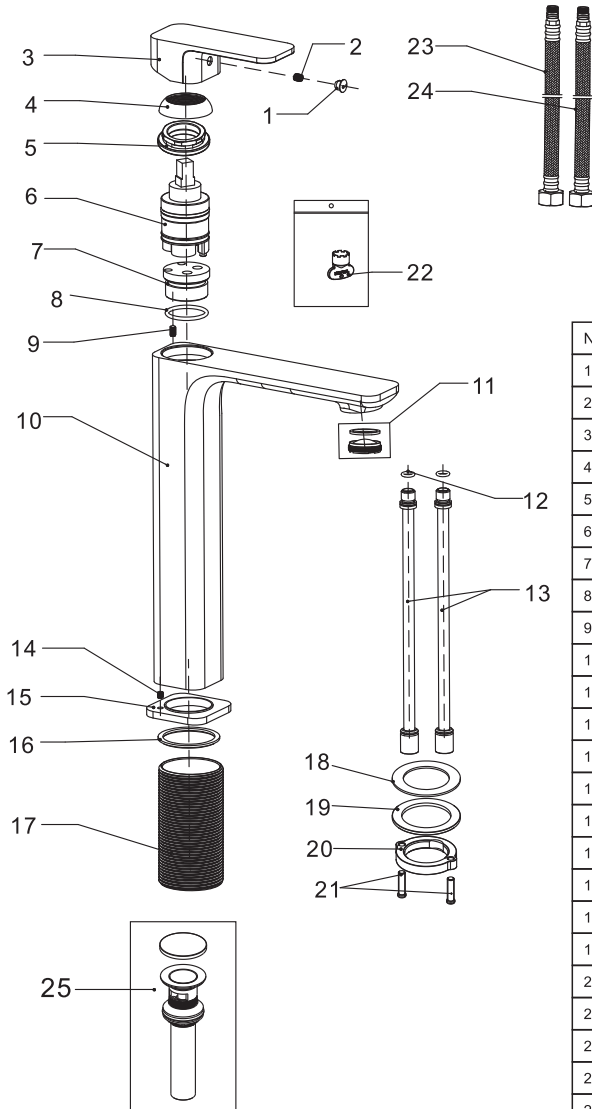
5. From the top of the drain hole, place the drain ① through the installation hole. From under the drain hole, install the thick washer ②, washer ③ and nut ④ by hand twisting on to the tail pipe of the drain. Then, install the tail pipe to the wall plumbing. Use of plumbers putty or silicone is recommended to seal drain ① to top side of bowl.

## How to operate the handle:



1. Open the handle lever to turn water on. Push to turn off.
2. Turn the handle lever to the left to increase hot water flow with higher water temperature. Lower the water temperature by operating reversely.

# REPLACEMENT PARTS



No.	Description	Finish/Color	Item No.
1	Index		80N81010
2	Screw		8EM5X7
3	Handle	C,SS,MB	80P35WAU2
4	Trim Cap	C,SS,MB	9ZG16045
5	Lock Nut		8YG16494
6	Cartridge		J10351MZ05
7	Cartridge Seat		81T16X70DQ
8	O-ring		8J31X25A
9	Screw		8EM4X12
10	Body	C,SS,MB	80T16R9801DQ
11	Aerator		80M24123NP17
12	O-rings		8J10X19A
13	Copper Tubes		8JG08230
14	Screw		8EM4X4
15	Base	C,SS,MB	8DZ16398
16	O-ring		7J45X38X25
17	Threaded Sleeve		85T16303
18	Washer		8J497X336X14
19	Rubber Washer		50N569240
20	Mounting Nut		5NM169070
21	Mounting Screws		8HM5X18A
22	Aerator Wrench		80P00013
23	Supply Line		G21603HM00
24	Supply Line		G21603HM01
25	Pop-up Drain		C21026

\*Denotes faucet component color options:

- C - Chrome
- SS - Stainless Steel
- MB - Matte Black