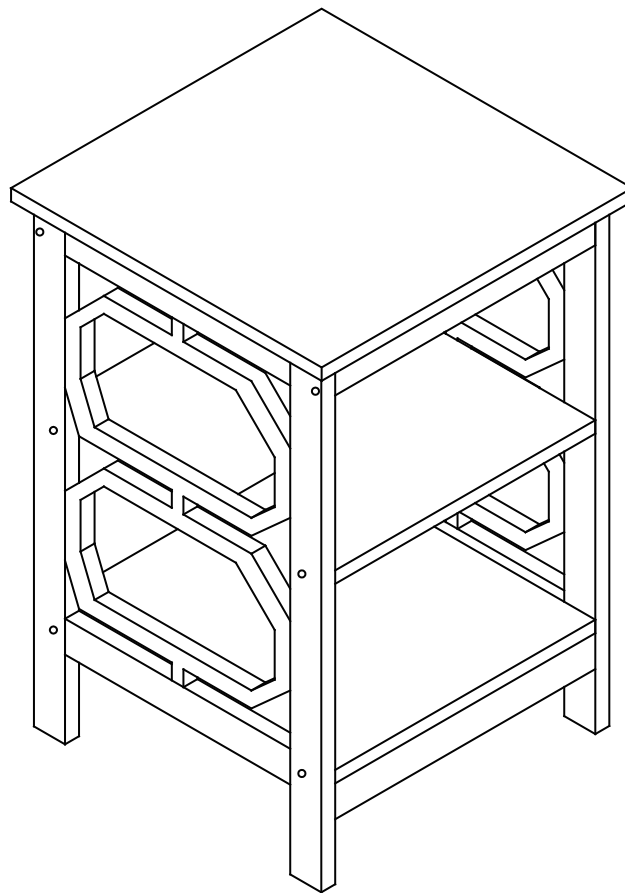


CONVENIENCE CONCEPTS

Omega End Table
203210W/203210BL



Assembly Instructions

We have designed our furniture with you, the customer in mind. Our clear, easy to follow step by step instructions will guide you through the project from start to finish.

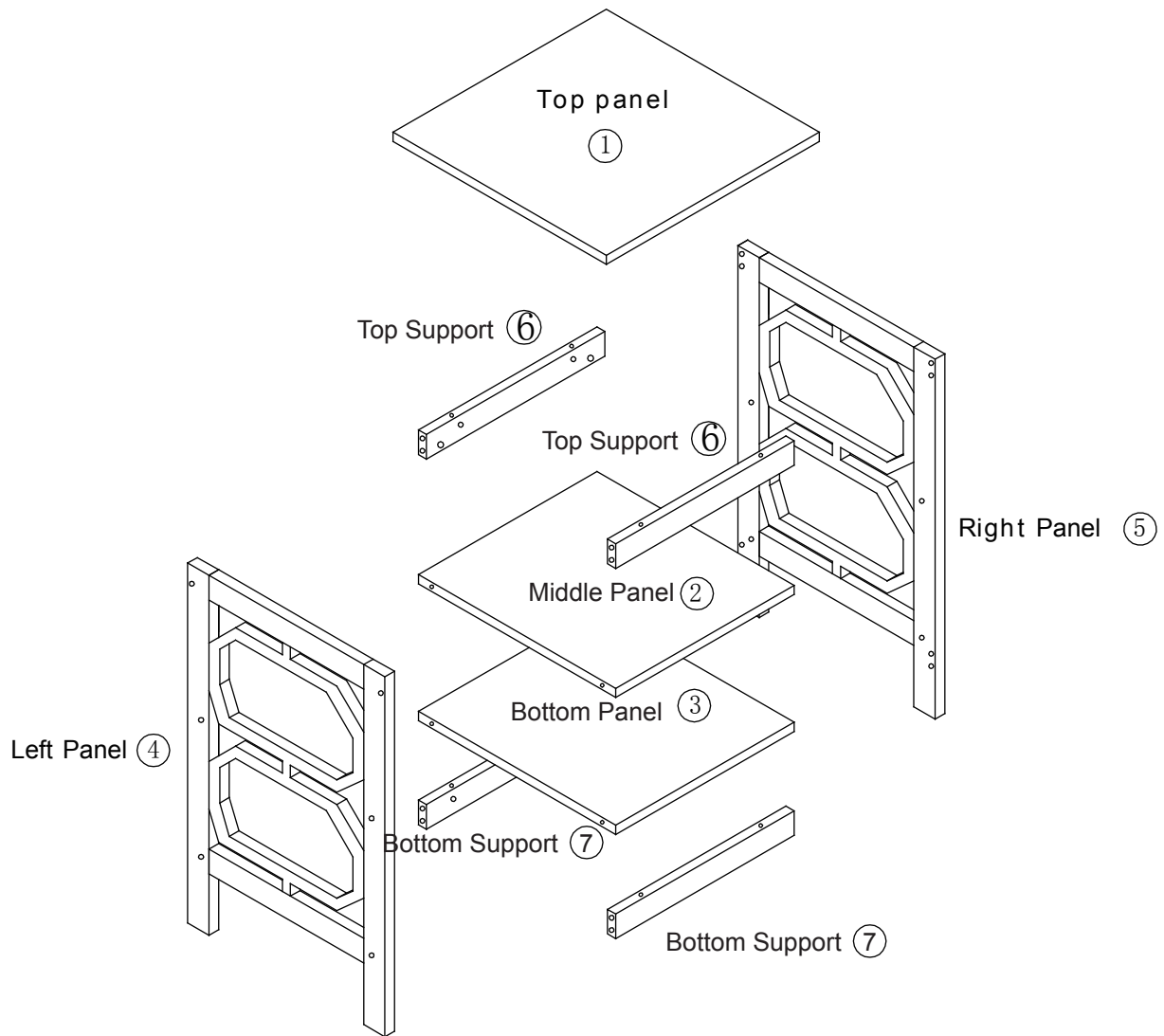
Feel confident that this will be a fun and rewarding project. The final product will be a quality piece of furniture that will go together smoothly and give years of enjoyment.

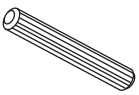
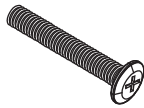

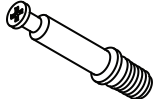
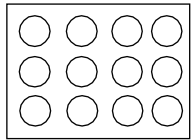



Please do not return to the store
Broken or missing Hardware?
Need help with Assembly?

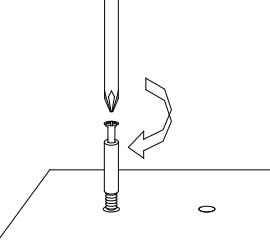
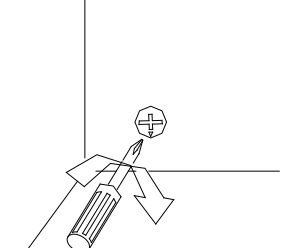
If you have any questions just call 1-800-468-6447 or email us at
parts@convenience-concepts.com

Special Note: We recommend the use of a hand screwdriver to avoid the stripping of screw heads.



					
12 x (A)	12 x (B)	12 x (C)	8 x (D)	12 x (E)	8 x (F)
Wood Dowel	Bolt	Lock Nut	Cam Bolt	Stickers	Cam Lock

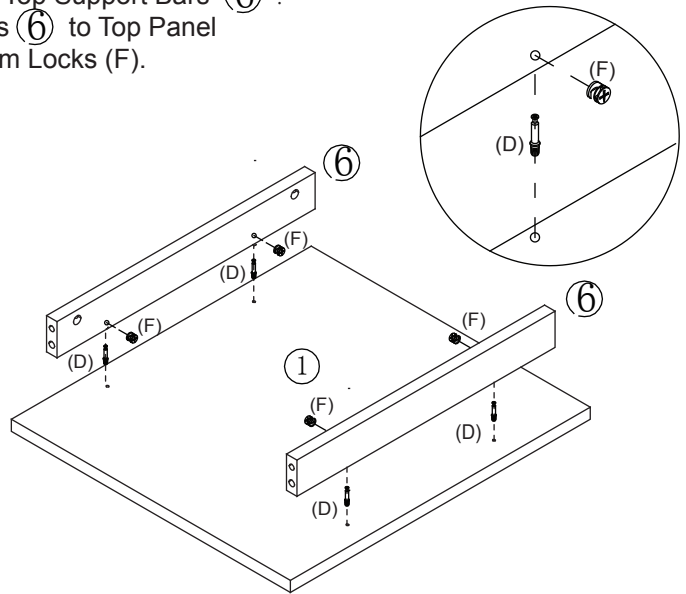
Assembling the unit with cams.

		
<p>Gently screw cam bolt into the threaded anchor.</p>	<p>Insert cam lock with arrow pointing down. Screw the cam firmly into locked position.</p>	<p>Page 2 of 5</p>

Step 1

1. Screw Cam Bolts (D) into Top Panel ① .
2. Insert Cam Locks (F) into Top Support Bars ⑥ .
3. Connect Top Support Bars ⑥ to Top Panel ① by gently tightening Cam Locks (F).

4 X (D)	
4 X (F)	

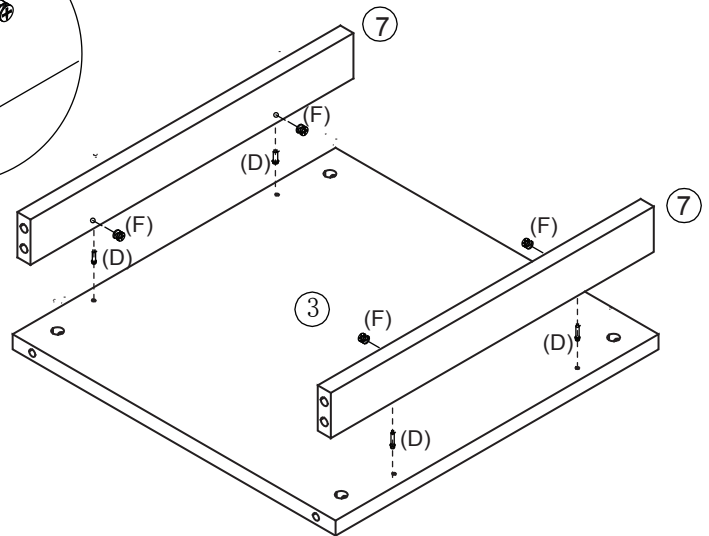
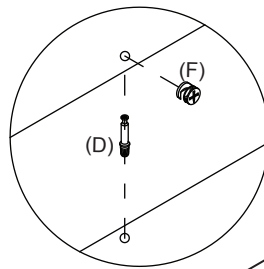


NOTE:
Assemble console on carpet or other soft surface to avoid scratching.

Step 2

1. Screw Cam Bolts (D) into Bottom Panel ③ .
2. Insert Cam Locks (F) into bottom Support Bars ⑦ .
3. Connect Bottom Support Bars ⑦ to Bottom Panel ③ by gently tightening Cam Locks (F).

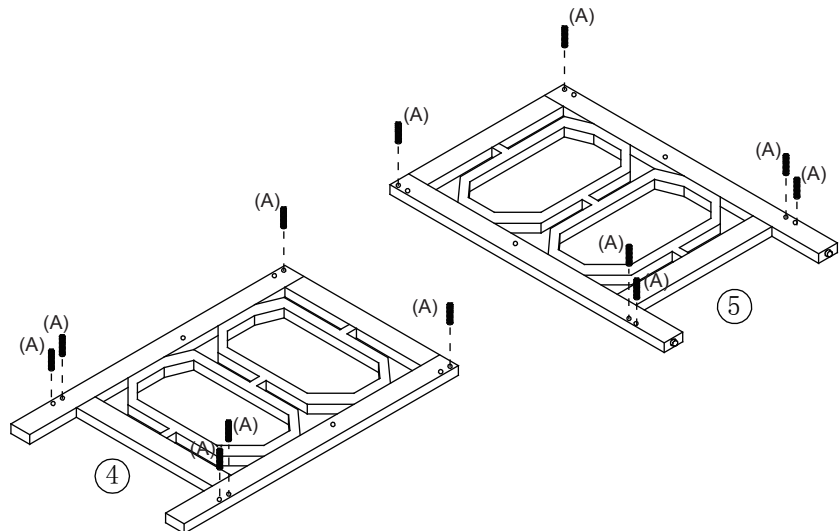
4 X (D)	
4 X (F)	



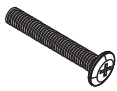

Step 3

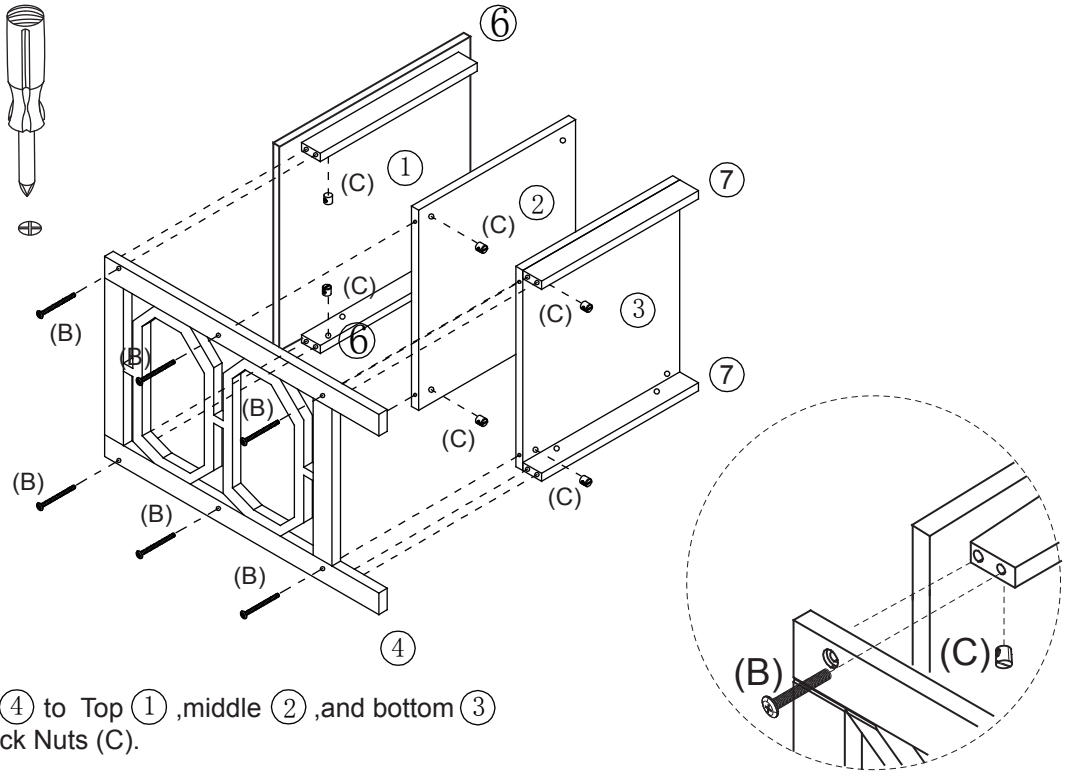
12 X (A)	
----------	--

1. Insert Wood Dowels (A) into Left Panel ④ and Right Panel ⑤ .



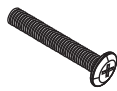

Step 4

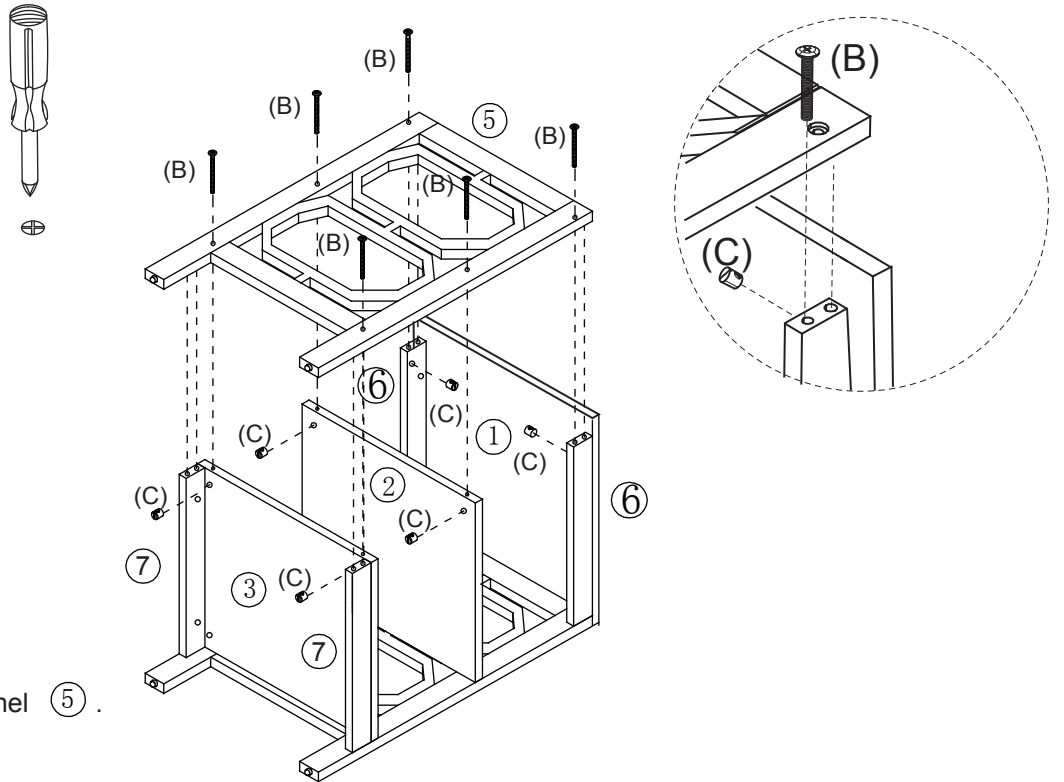
6 X (B)	
6 X (C)	



1. Carefully connect Left Panel (4) to Top (1), middle (2), and bottom (3) panels using Bolts (B) and Lock Nuts (C).

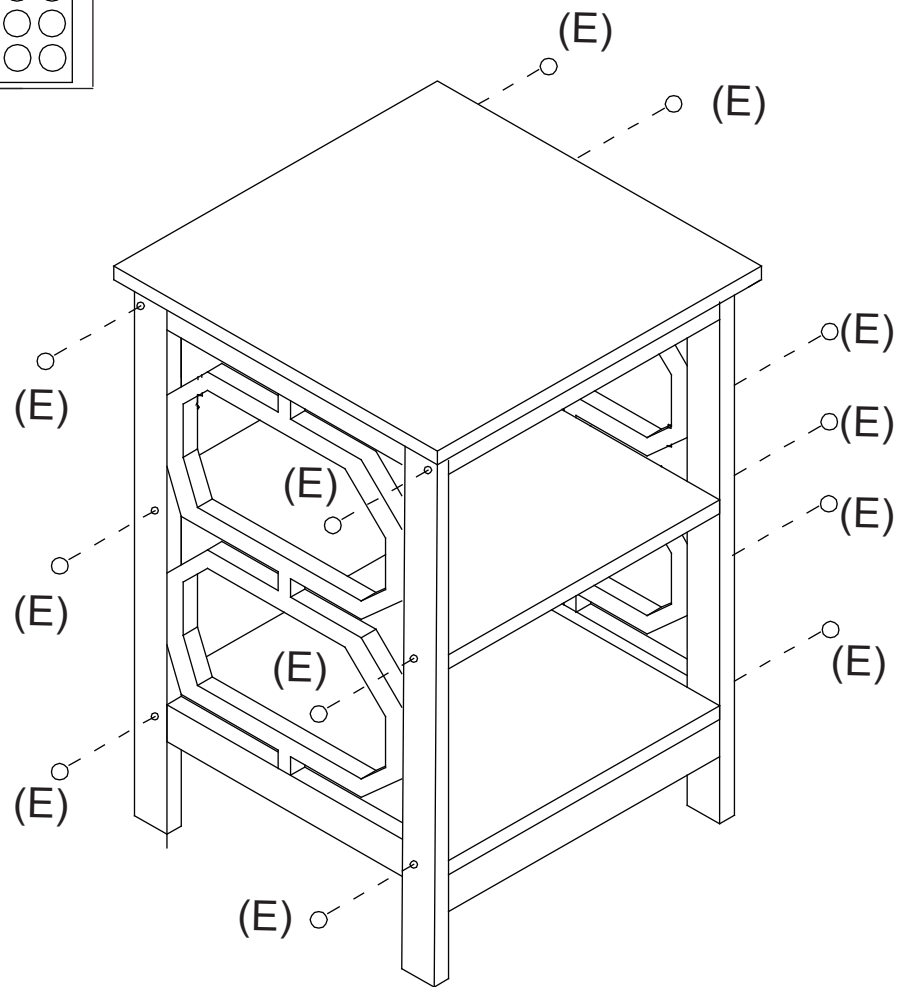
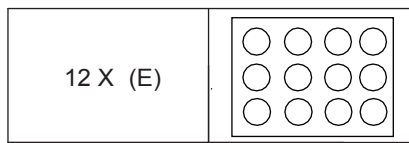
Step 5

6 X (B)	
6 X (C)	



1. Repeat Step 4 using Right Panel (5).

Step 6



- 1.If desired, place Stickers (E) over screw holes.
- 2.Enjoy.