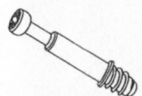

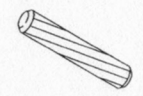
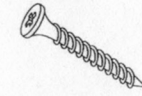

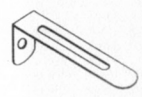




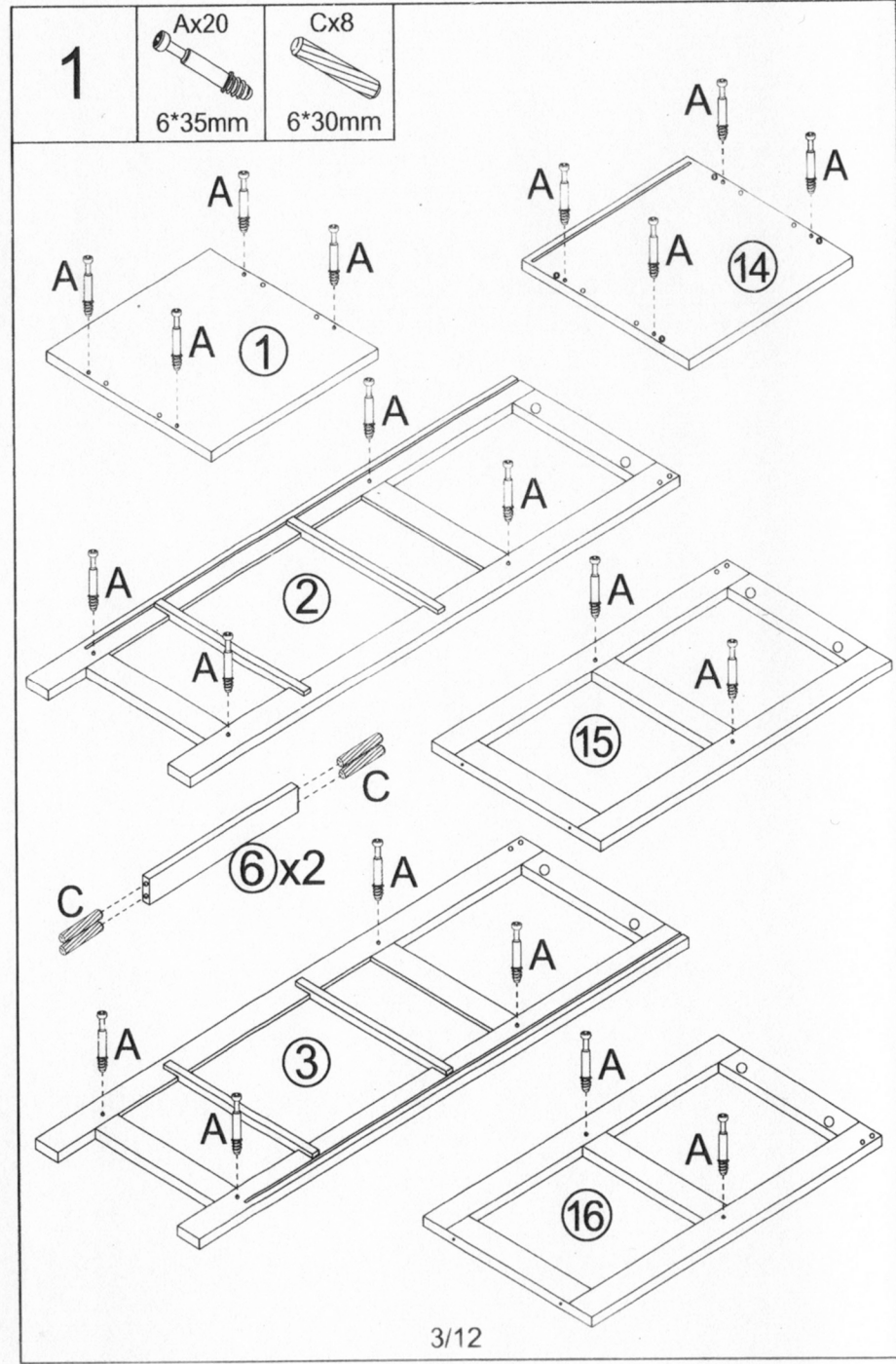
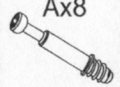

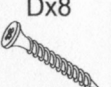
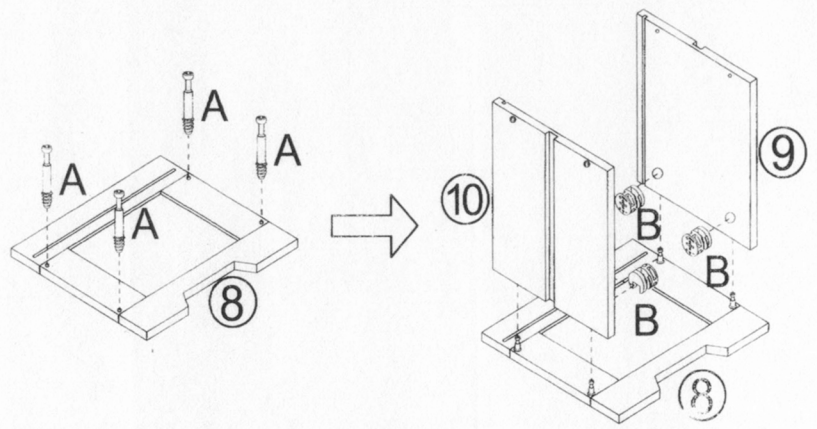


Ax28  6x35mm	Bx28  15x10mm	Cx16  6x30mm	Dx13  4x35mm	Ex4  3x14mm
Fx1 	Gx1 	Hx1  2/12	Ix8 	Jx4 

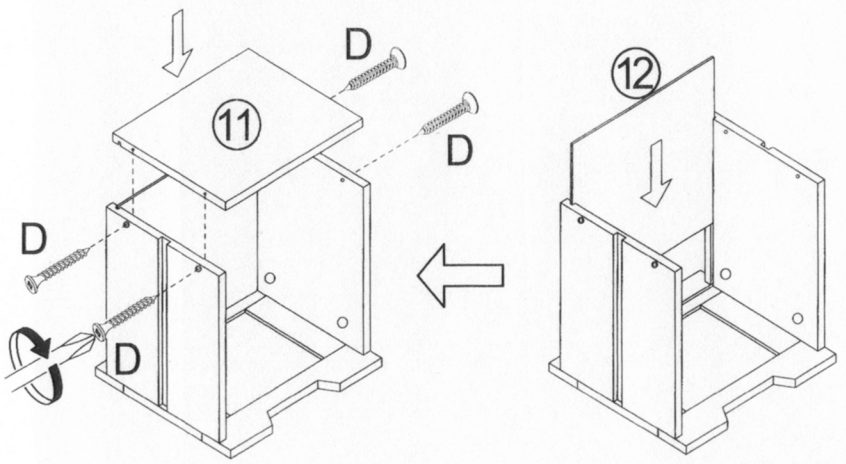


2


Ax8 	Bx8 	Dx8 
6*35mm	15*10mm	4*35mm

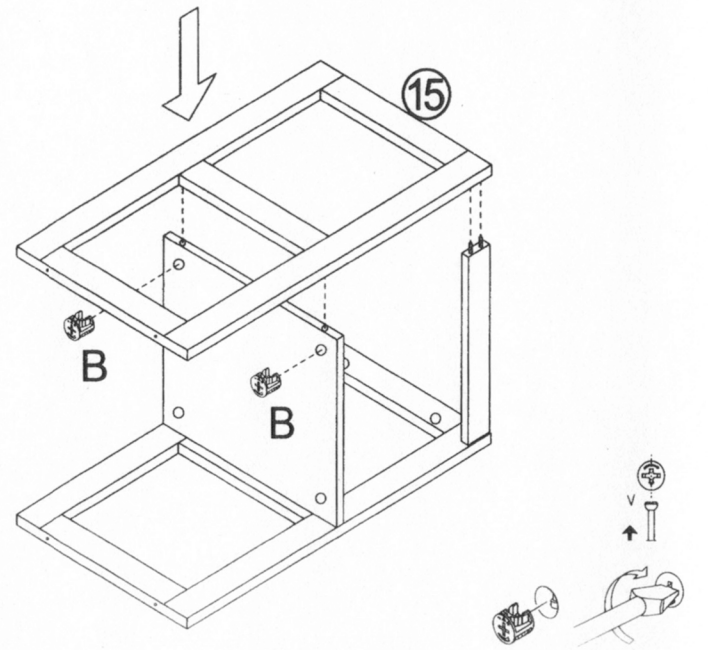
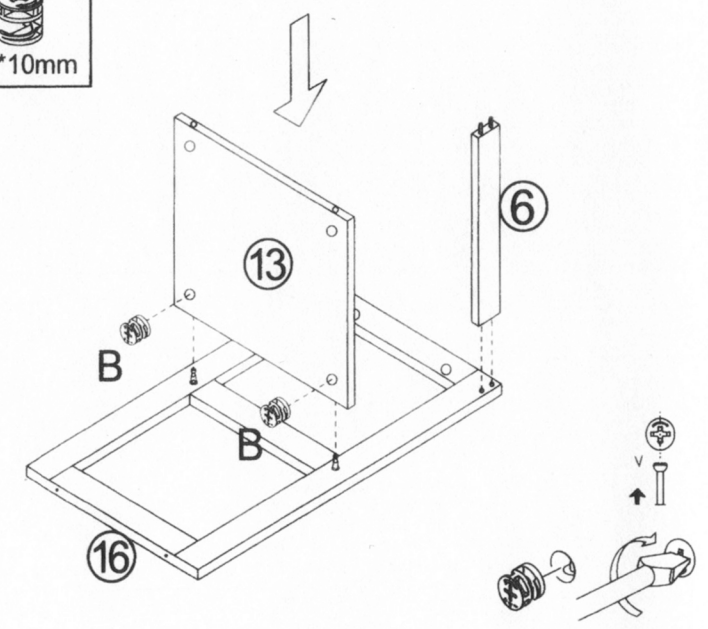


x2



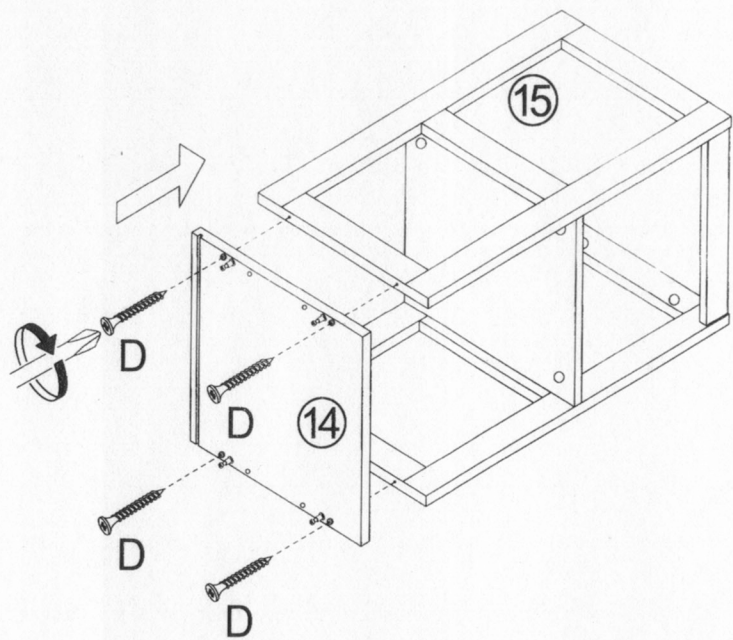
3

Bx4 
15*10mm



4

Dx4
4*35mm



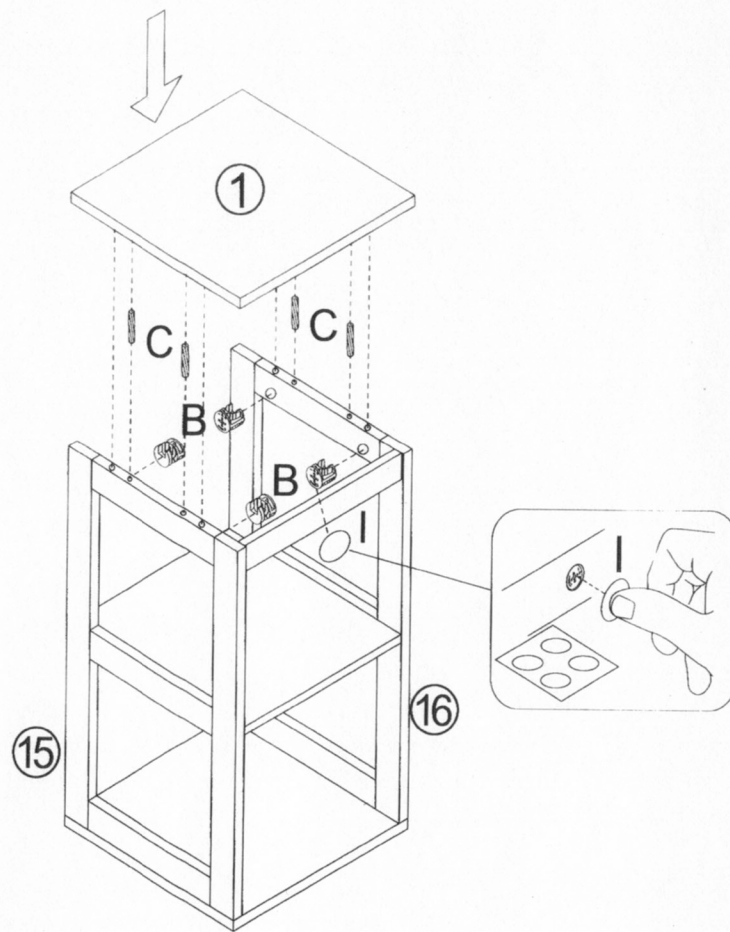
6/12

5

Bx4
15*10mm

Cx4
6*30mm

Ix4



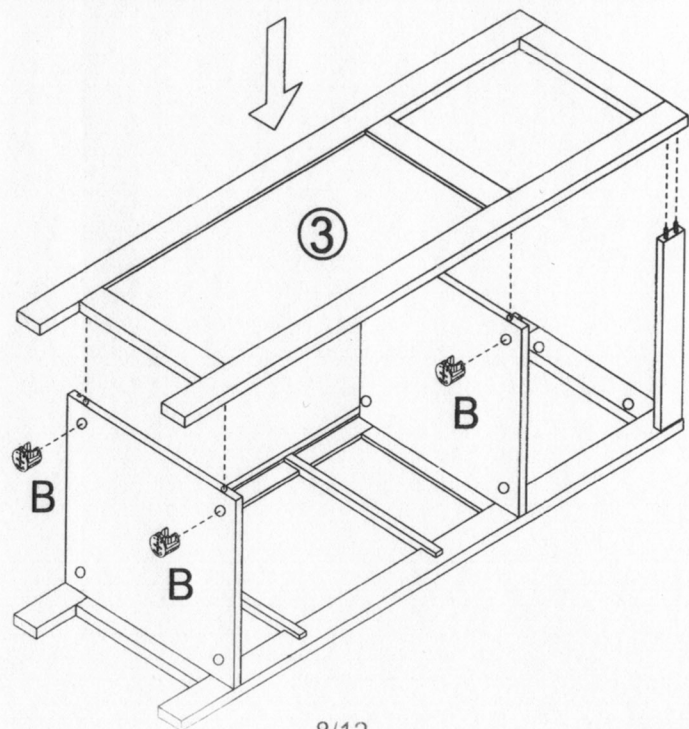
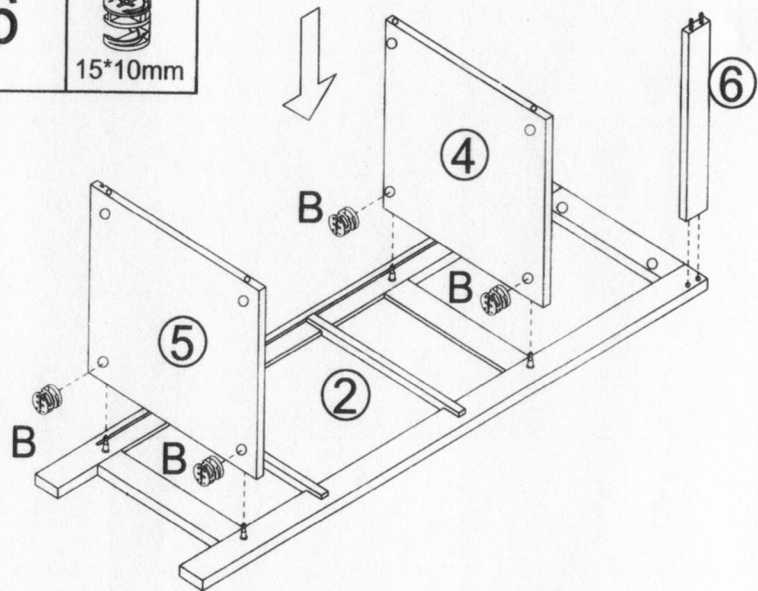
7/12

6

Bx8

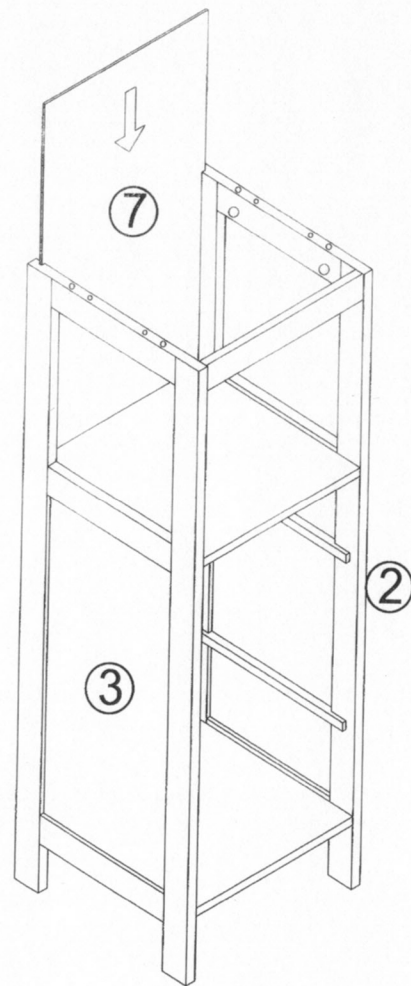


15*10mm



8/12

7

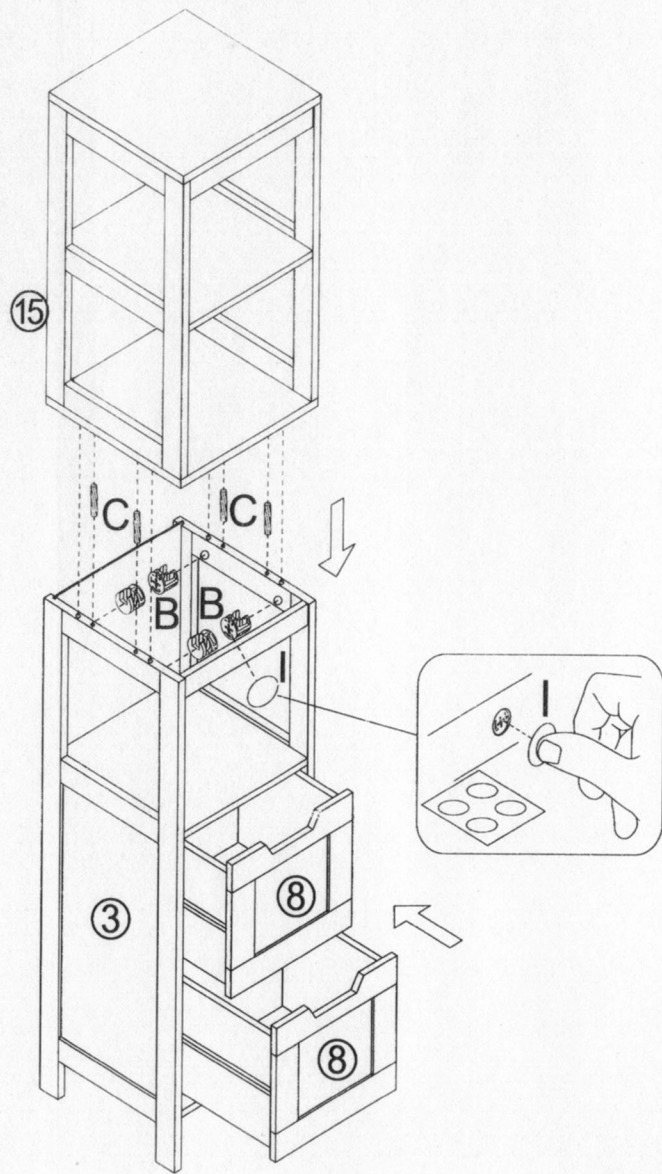


9/12

8

Bx4
15*10mmCx4
6*30mm

Ix4



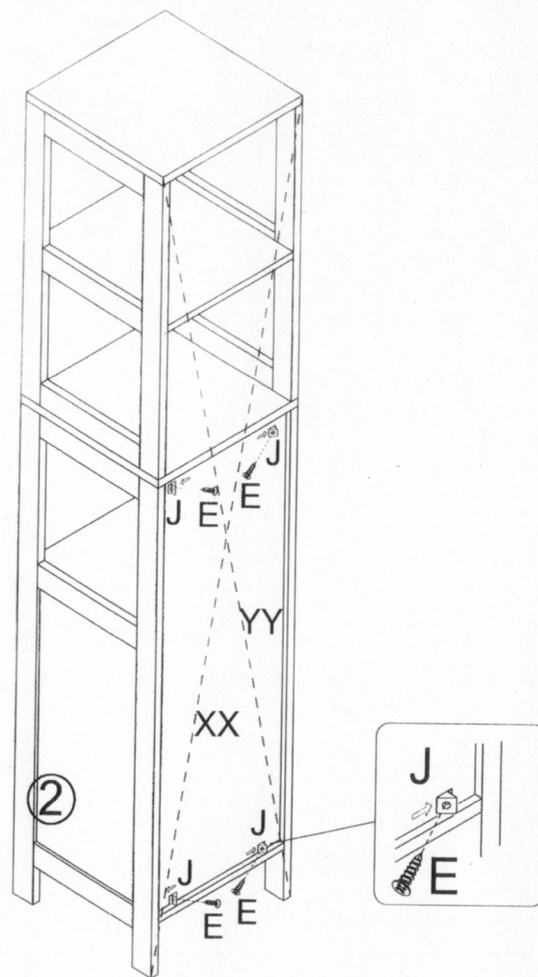
10/12

9

Ex4
3*14mm

Jx4

Before fix "J", please make sure size "XX=YY"



11/12

10

Dx1
4*35mm

