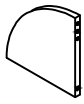


# ASSEMBLY INSTRUCTION

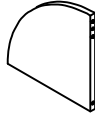
## CORNER LADDER BOOKCASE

**A** Shelf 1



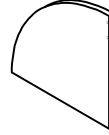
1pc

**B** Shelf 2



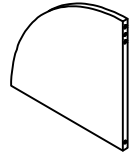
1pc

**C** Shelf 3



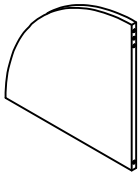
1pc

**D** Shelf 4



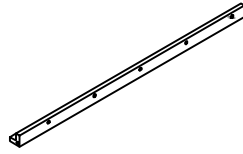
1pc

**E** Shelf 5



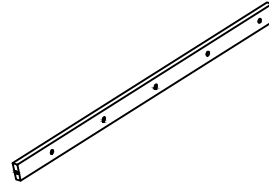
1pc

**F** Back Post



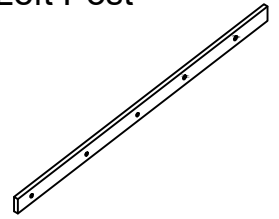
1pc

**G** Right Post



1pc

**H** Left Post



1pc

**I** Bolt  
Ø1/4"x32mm



15pcs

**J** Lock Washer  
Ø1/4"



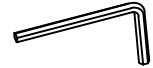
15pcs

**K** Flat Washer  
Ø1/4"x15x1.5mm



15pcs

**L** Allen Key  
M4

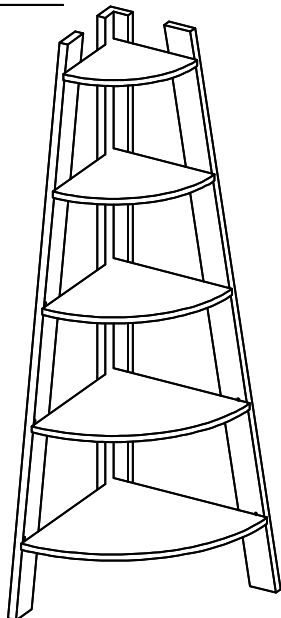


1pc

**M** Wood Dowel  
Ø8x30mm

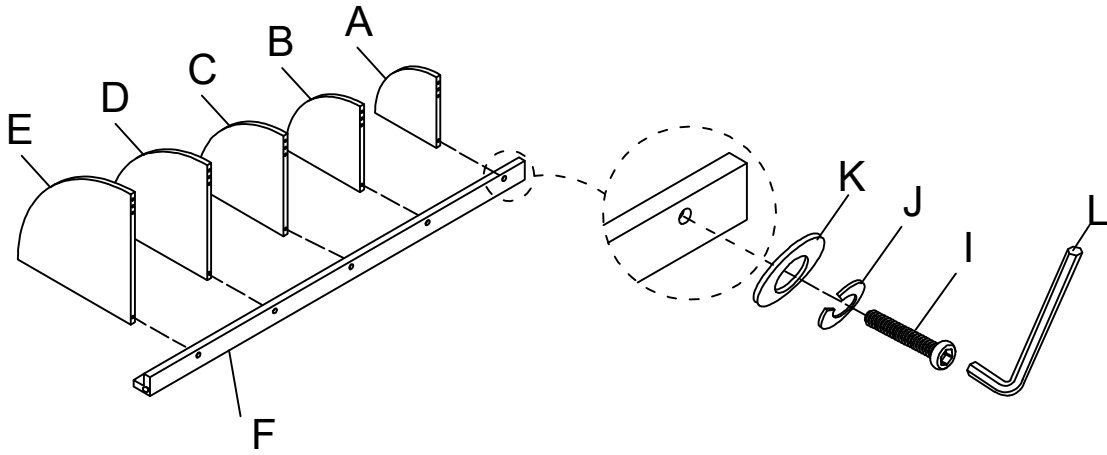


20pcs

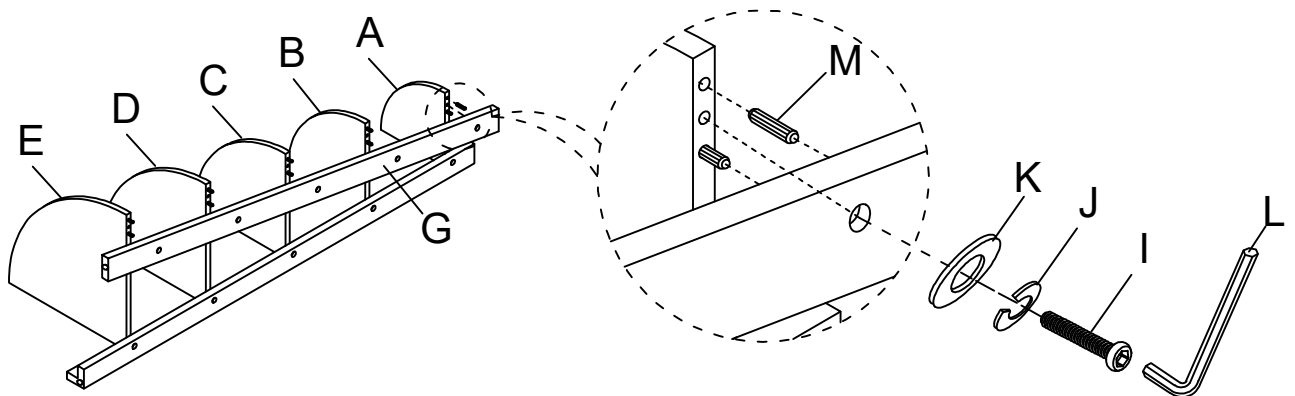


This page lists all the contents included in the box. Please take the time to identify the hardware as well as the individual components to this product. As you unpack and prepare for assembly, place the contents on a carpeted or padded area to protect them from damage.

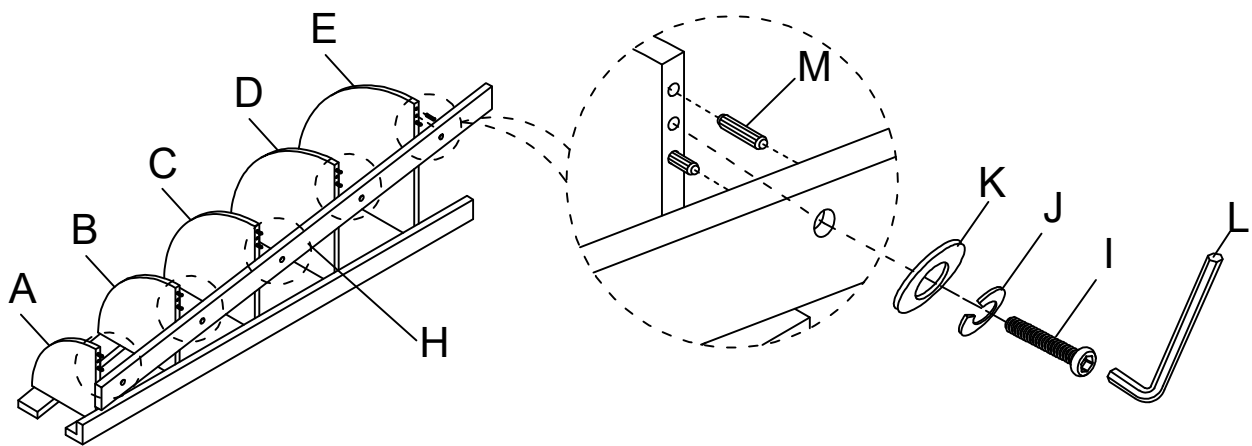
- 1** Attach Shelf 1 (A), Shelf 2 (B), Shelf 3 (C), Shelf 4 (D), Shelf 5 (E) to the Back Post (F) using Bolt (I), Lock Washer (J) and Flat Washer (K) in the holes of Back Post (F), Shelf 1 (A), Shelf 2 (B), Shelf 3 (C), Shelf 4 (D) & Shelf 5 (E) by Allen Key (L).



- 2** Attach Wood Dowel (M) to Shelf 1 (A), Shelf 2 (B), Shelf 3 (C), Shelf 4 (D) & Shelf 5 (E), then attach Right Post (G) to shelves using Bolt (I), Lock Washer (J) and Flat Washer (K) by Allen Key (L).



- 3** Attach Wood Dowel (M) to Shelf 1 (A), Shelf 2 (B), Shelf 3 (C), Shelf 4 (D) & Shelf 5 (E), then attach Left Post (H) to shelves using Bolt (I), Lock Washer (J) and Flat Washer (K) by Allen Key (L).



---

### Cleaning & Care

Treat surface with care. Surface is resistant to scratches but is not scratch resistant. Clean surfaces with a dry or damp soft cloth. Do not use abrasive cleaners. Hardware may loosen over time. Periodically check that all connections are tight.