

veradek ——— outdoor

CORTEN SERIES

span  
instructions



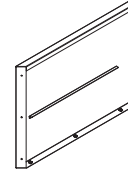
# parts and components



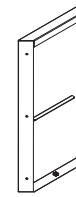
all sizes



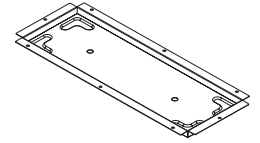
allen key  
x1



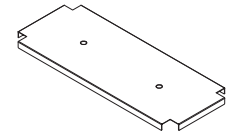
long side panels  
x2



short side panels  
x2



bottom panel  
x1



shelf  
x1

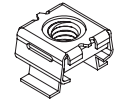
span  
short & medium



wing nuts  
x12



bolts  
x20



floating nuts  
x8

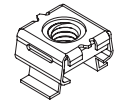
span  
large



wing nuts  
x16

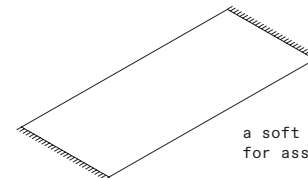


bolts  
x26



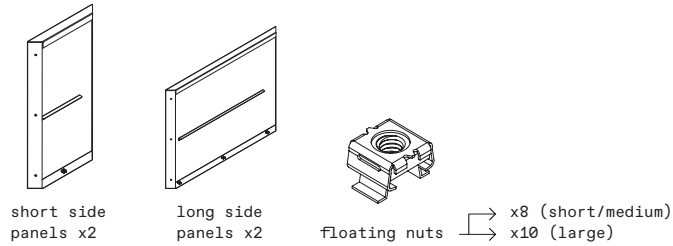
floating nuts  
x10

not included

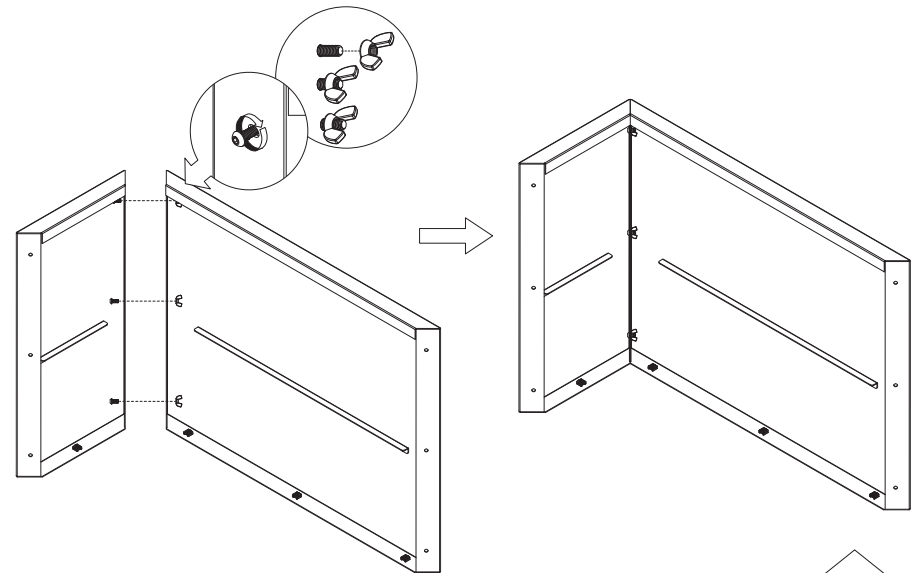
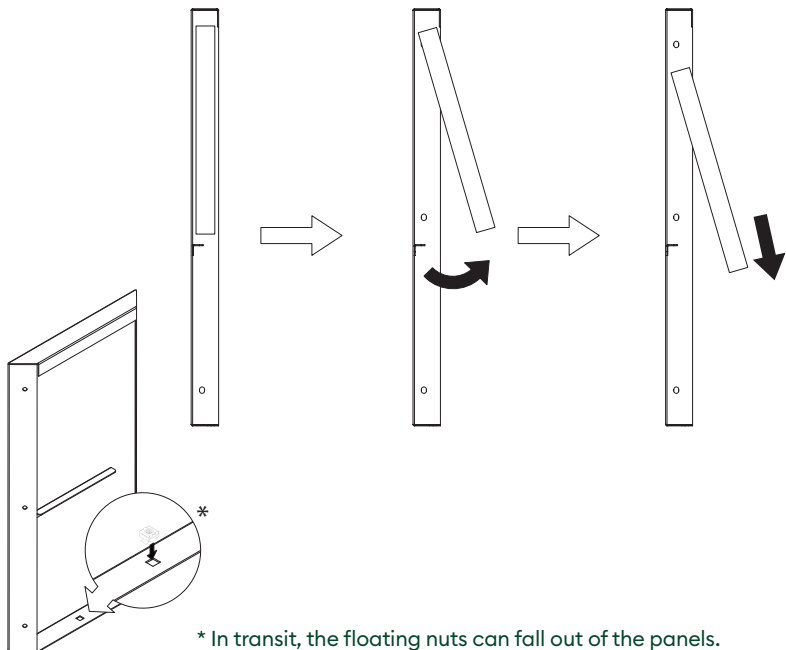
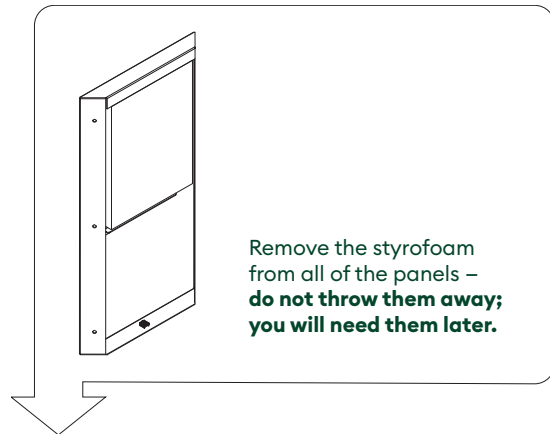
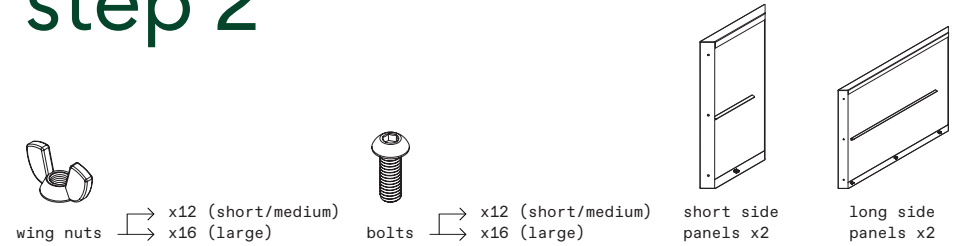


a soft working surface  
for assembling your items

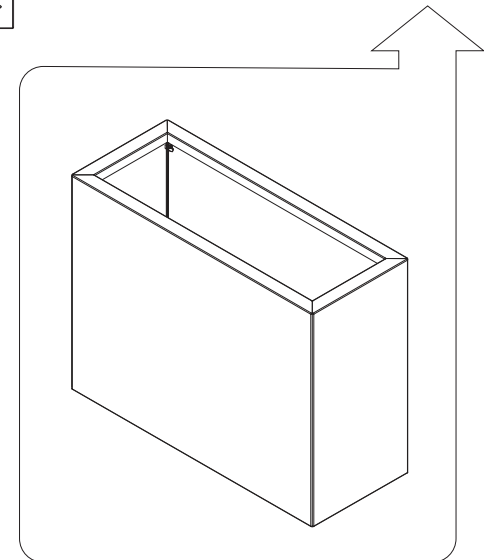
# step 1



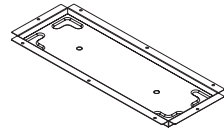
# step 2



Fasten the panels together using the nuts and bolts provided. Ensure that the bottom holes are facing downward. Hand tighten only.



# step 3



bottom panel x1

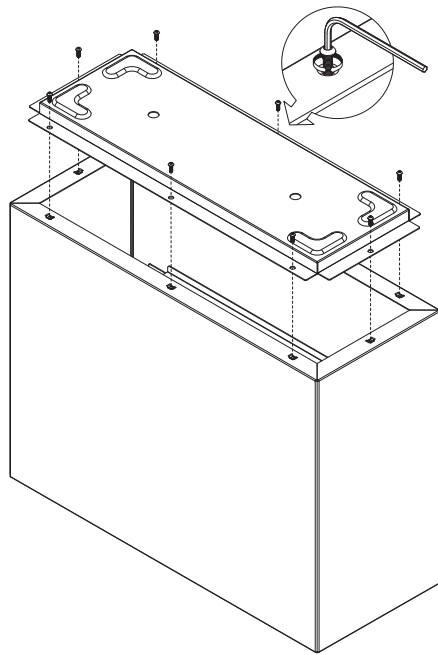


bolts  
→ x8 (short/medium)  
→ x10 (large)

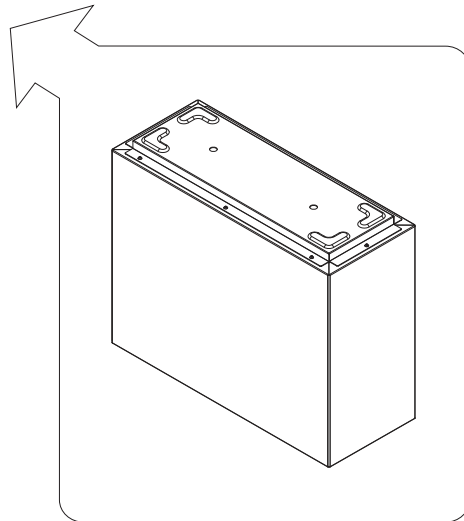
# step 4



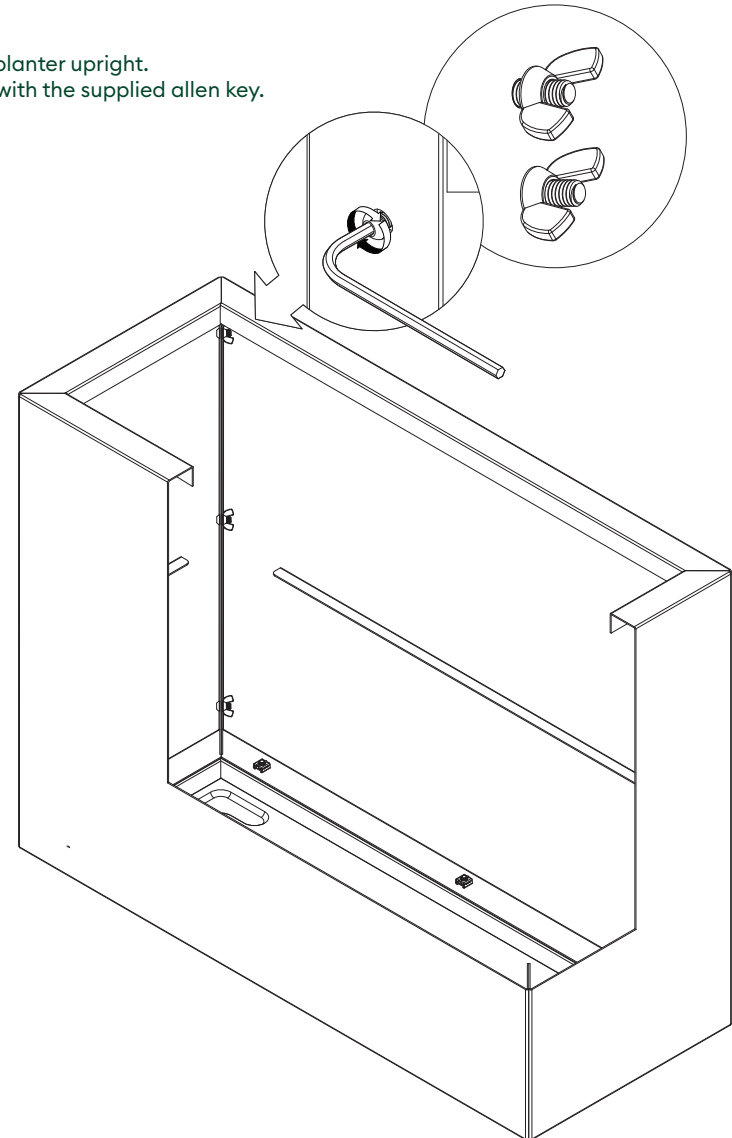
allen key x1



Flip the body over so the bottom panel holes are facing up.  
Connect the bottom panel to the main body.  
Screw bolts into floating nuts and tighten.

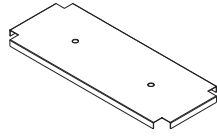


Flip the planter upright.  
Tighten with the supplied allen key.



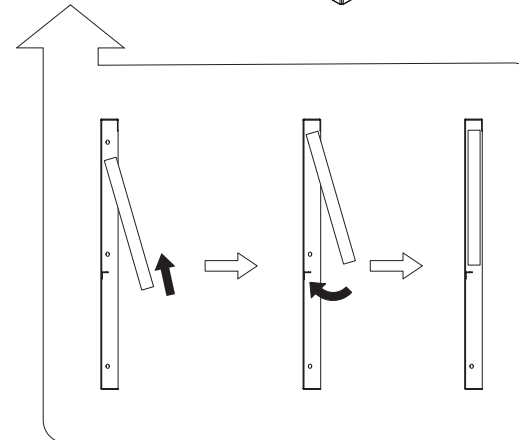
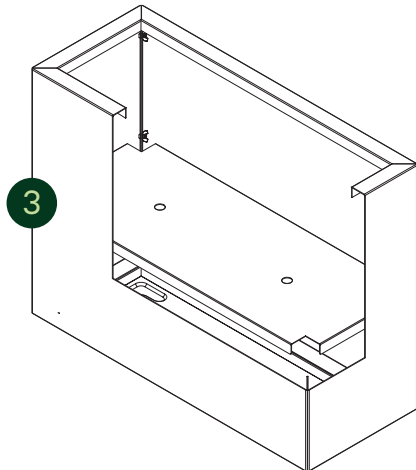
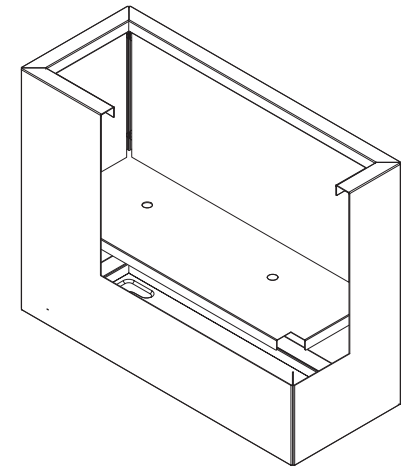
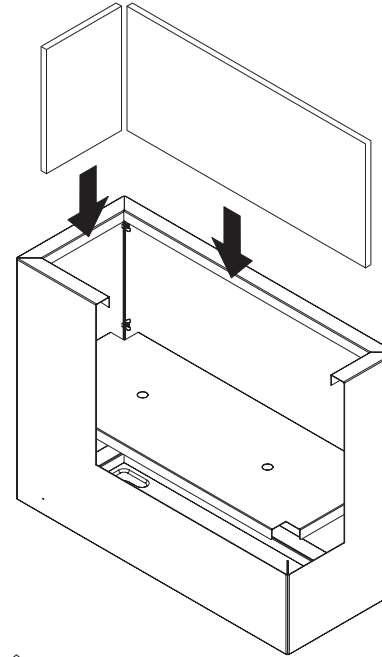
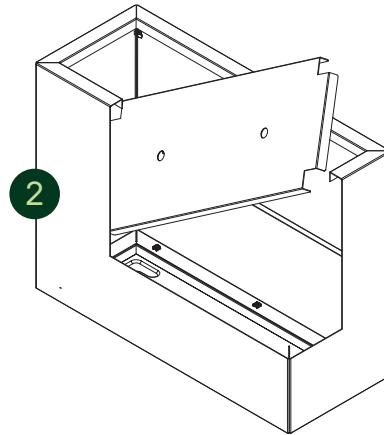
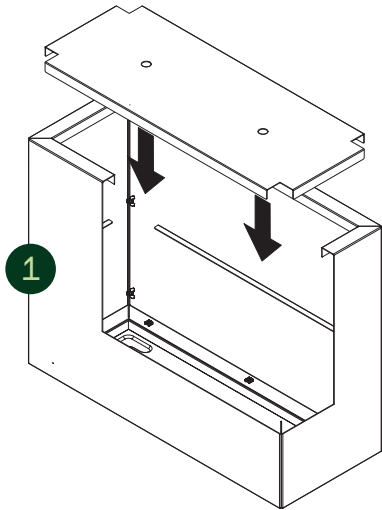
# step 5

# step 6



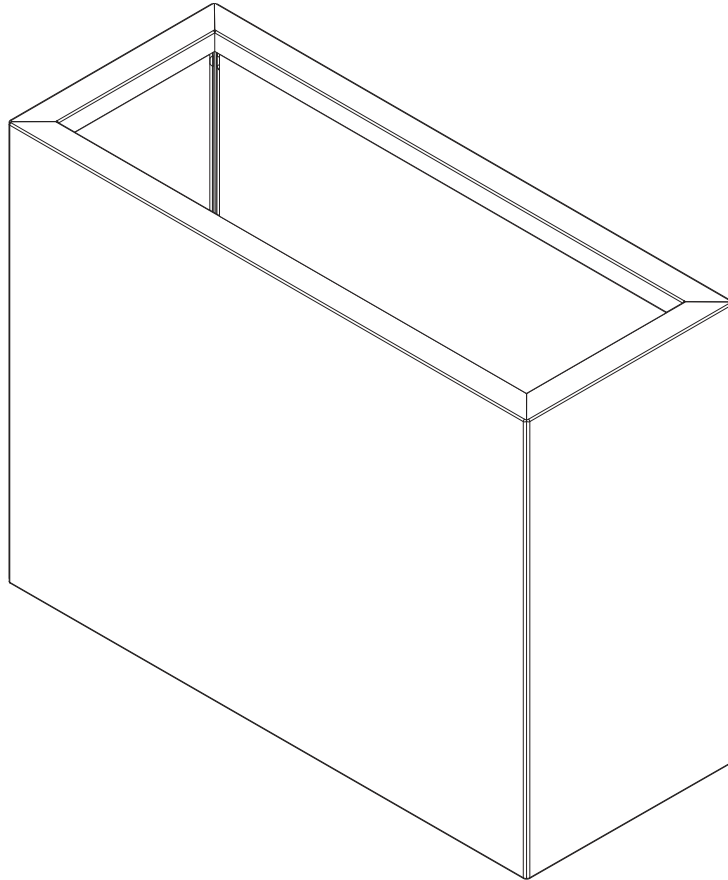
shelf x1

Insert shelf into planter.



You can now place the styrofoam back into the panels. It will act as insulation against extreme heat and cold.

# complete



share your outdoor space with [#MYVERADEK](#)

## meet the *family*

Hi! We're the Corten Steel Planter Series, and we make warming up your space easy. With clean, simple corners coated in rich, rusted hues, we add a cozy touch that makes your outdoor space feel right at home.



01 round bowl - 02 pedestal - 03 long box - 04 garden bed  
- 05 cube - 06 span - 07 window box

meet you  
outside

veradek ——— outdoor