


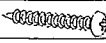
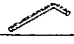
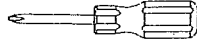
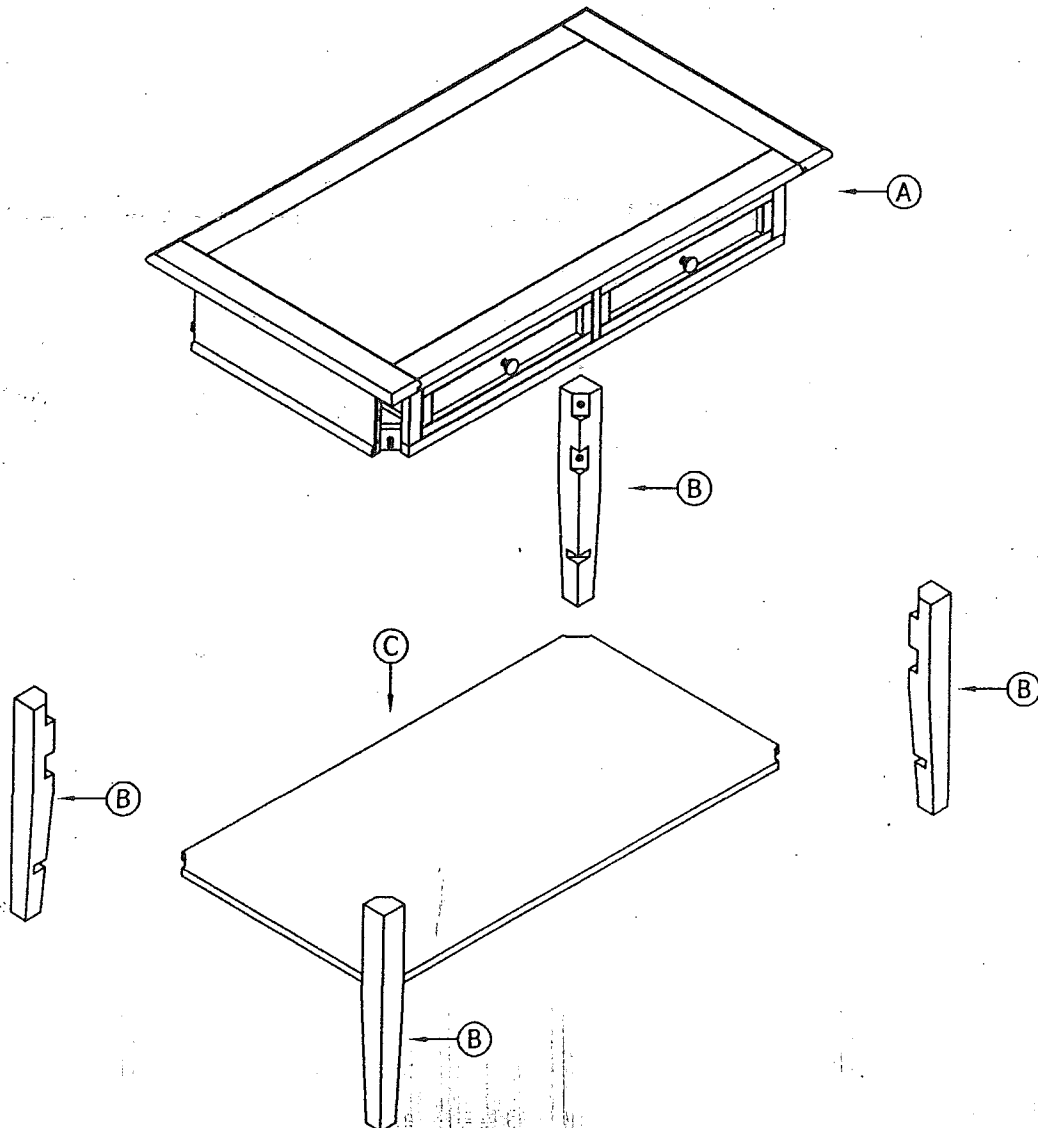


Thank you for purchasing this quality product. Be sure to check all packing material carefully for small parts, which may have come loose inside the carton during shipment. Identify and count all parts and compare with the Hardware List as below:

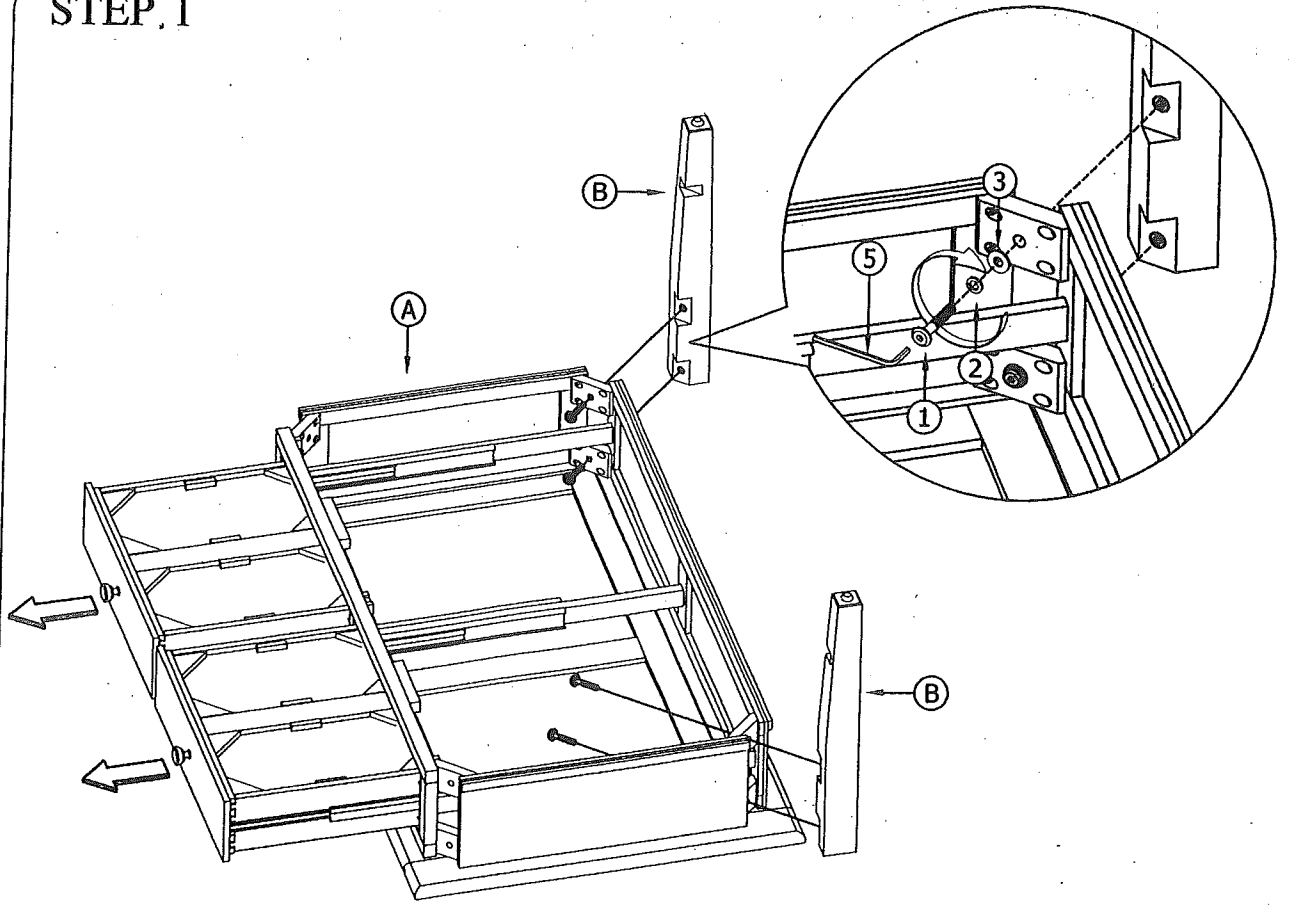
DESIGN	No	Description	Qty
	A	Rectangular 2 Drawer Cocktail Table	1
	B	Legs	4
	C	Shelf	1

Hardware List	No	Picture	Description	Dimension	Qty
	1		Knock Down Bolt	M8 x 45 mm	8
	2		Lock Washer	8 x 13 x 2 mm	8
	3		Washer	8 x 19 x 2 mm	8
	4		Screw	#8 x 1 1/2"	4
	5		Allen Key #5 mm	#5 x 70 mm	1
	6		Phillips Head Screwdriver (Not Included)		

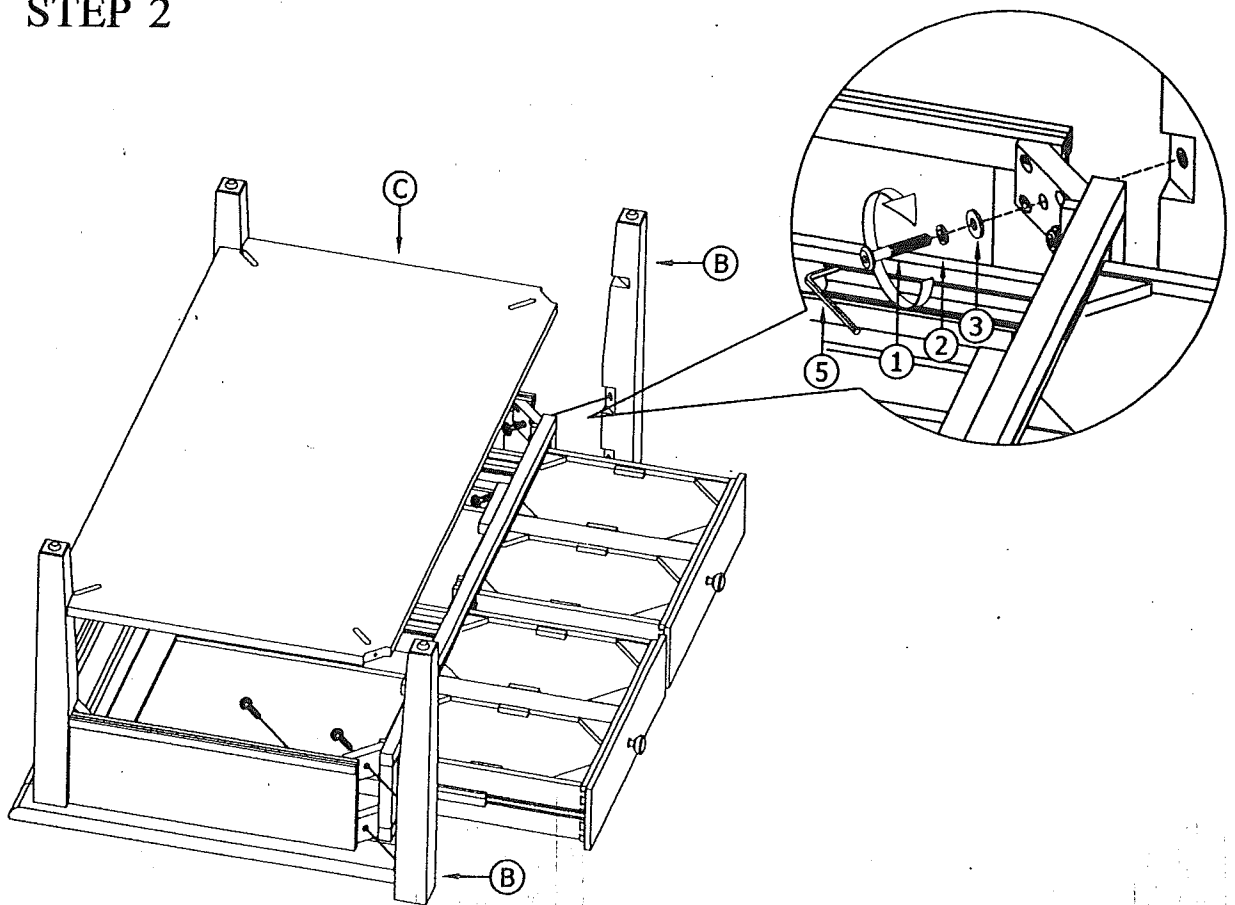


ASSEMBLY STEP

STEP 1

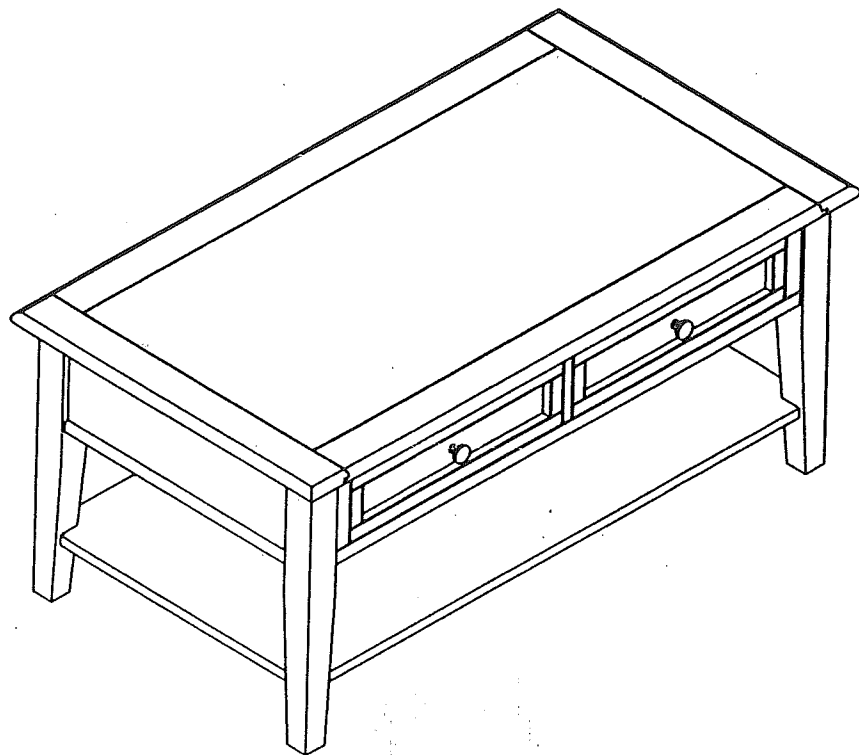
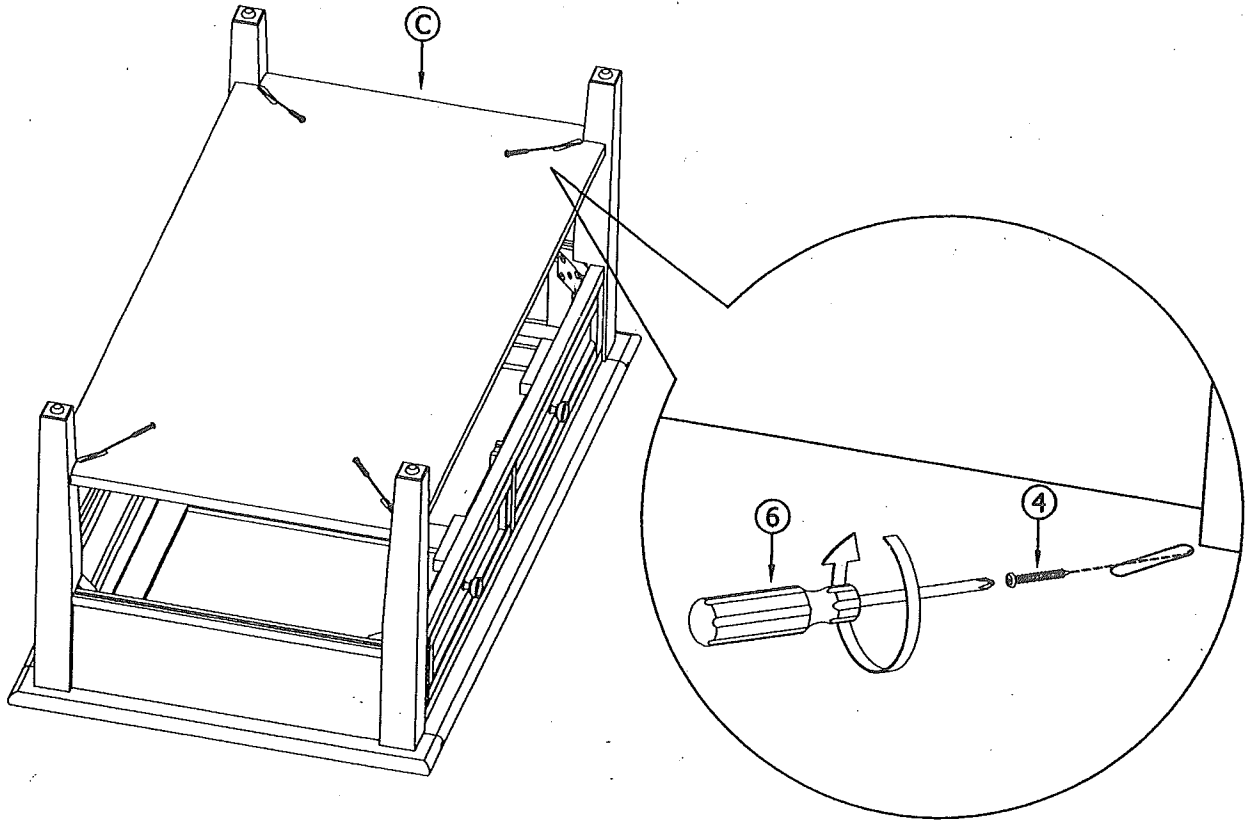


STEP 2



ASSEMBLY STEP

STEP. 3



Assembly Completed