

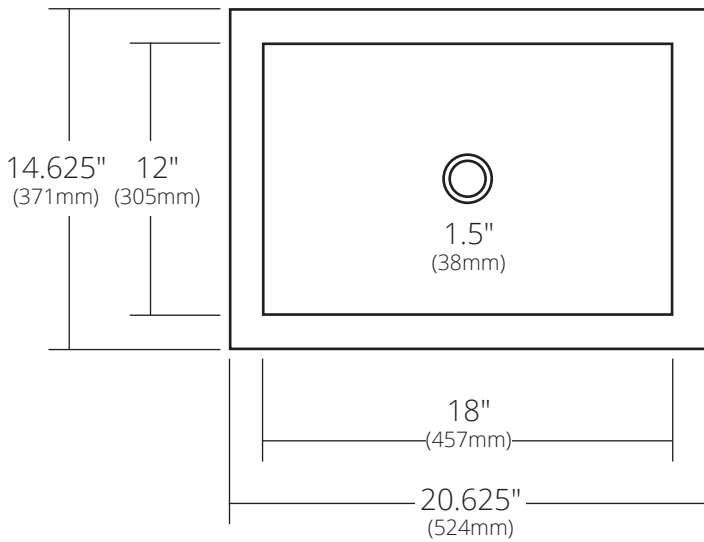
*SPECIFICATIONS*

**CABRILLO**

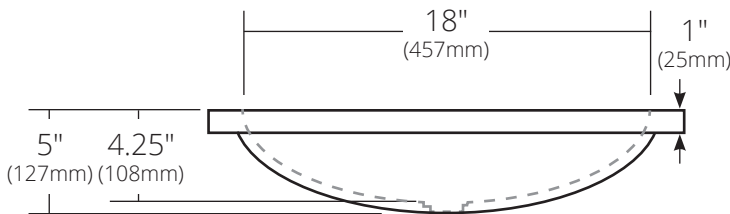
*NativeStone® Collection*



TOP VIEW



FRONT VIEW



NSL2014-A Ash  
NSL2014-S Slate  
NSL2014-P Pearl  
NSL2014-E Earth

**PRODUCT DETAILS**

- 20.625" x 14.625" x 5" OD (524mm x 371mm x 127mm)
- 18" x 12" x 4.25" ID (457mm x 305mm x 108mm)
- 1.5" (38mm) drain opening
- Handcrafted from sustainable NativeStone®
- Sealed with impermeable nano sealer

**INSTALLATION**

- Undermount

**COORDINATING PRODUCTS**

- Drains: DR120, DR130 or DR150
- NativeStone Sealer®

**STANDARDS COMPLIANCE**

- UPC/cUPC compliant
- **ADA** COMPLIANT

**IMPORTANT**

Do NOT use tape or other adhesives on NativeStone® as it may remove the sealer.

Due to the handcrafted nature of this product, it will vary in finish, texture, and other details. Dimensions may vary up to .25" (6mm).