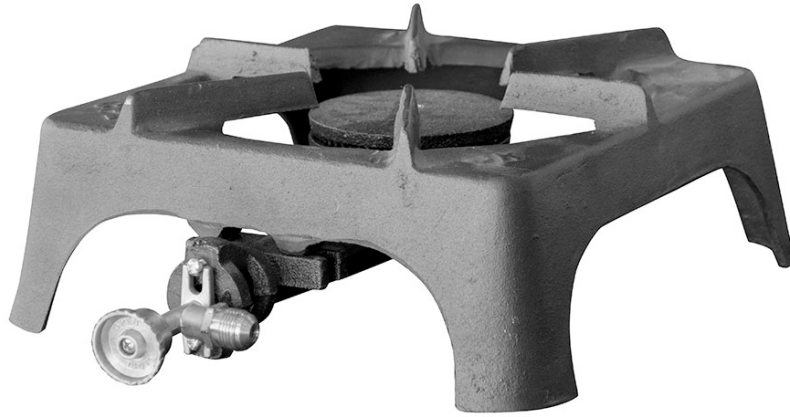


# **SBCISHD**

## **HEAVY DUTY CAST IRON DOUBLE BURNER STOVE INSTRUCTION MANUAL**



**READ ALL INSTRUCTIONS AND WARNINGS BEFORE USING THIS PRODUCT.**

Every effort has been made to ensure the accuracy of this manual. These instructions are not meant to cover every possible condition and situation that may occur. We reserve the right to change this product at any time without prior notice.

**IF THERE IS ANY QUESTION ABOUT A CONDITION BEING SAFE OR UNSAFE,  
DO NOT OPERATE THIS PRODUCT!**

**DO NOT RETURN THIS PRODUCT TO THE RETAILER - CONTACT CUSTOMER SERVICE.**

If you experience a problem, have questions or need parts for this product, visit our website at <http://www.buffalotools.com> or call Customer Service at **1-888-287-6981, Monday-Friday, 8 AM - 4 PM Central Time.** A copy of the sales receipt is required.

**FOR CONSUMER USE ONLY – NOT FOR PROFESSIONAL USE.**

**KEEP THIS MANUAL, SALES RECEIPT & APPLICABLE WARRANTY FOR FUTURE REFERENCE.**

**FOR OUTDOOR USE ONLY. USE ONLY IN A WELL-VENTILATED AREA. DO NOT USE INDOORS.**

## WARNING

This stove is designed to be used and operated on LP Liquid Propane Gas (usually found in a gas tanks like the type used on gas barbecues. Not for use with 16 or 14 oz canisters.)

**You must use an LPHK Regulator (sold separately) to properly operate the stove, since the stove will not operate at the gas pressure coming directly from an LP Liquid Propane Gas cylinder.**

Before each use, always check all gas connections and joints to make sure no leaks are present. Check hoses for cracks and wear, and replace damaged hoses.

When the unit is fully assembled, attach the regulator hose to the propane tank. The lit burner should operate with a blue flame, with a small yellow tip. Adjust the air screw if the flame is sputtering or popping. If the flame is not operating normally, check to see if anything is obstructing the gas flow. **DO NOT OPERATE** the propane stove if you feel that it is not operating normally.

### Specifications:

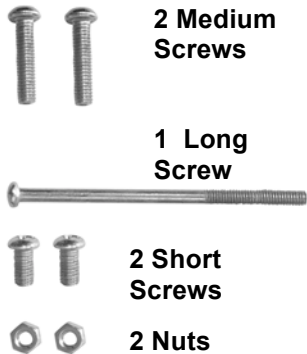
Size: 9.2" x 9.2" x 4"

Valve: Zinc

Low Pressure Burner

Output: 8530 BTU/hr

BTU's: 2.5 kw/hr

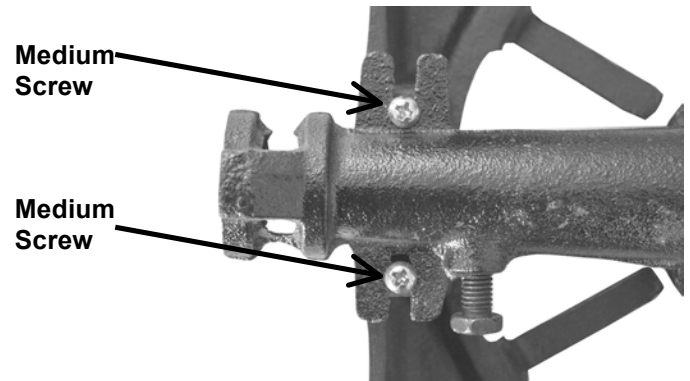


## WARNING

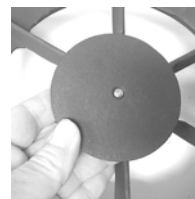
**FOR OUTDOOR USE ONLY. USE ONLY IN A WELL-VENTILATED AREA. DO NOT USE INDOORS.**

## ASSEMBLY

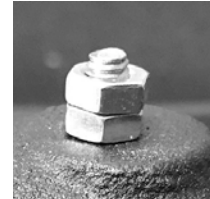
Turn the burner upside down. Use caution as the Cast Iron construction does not scratch the surface. Attach the two burners using the supplied screws.



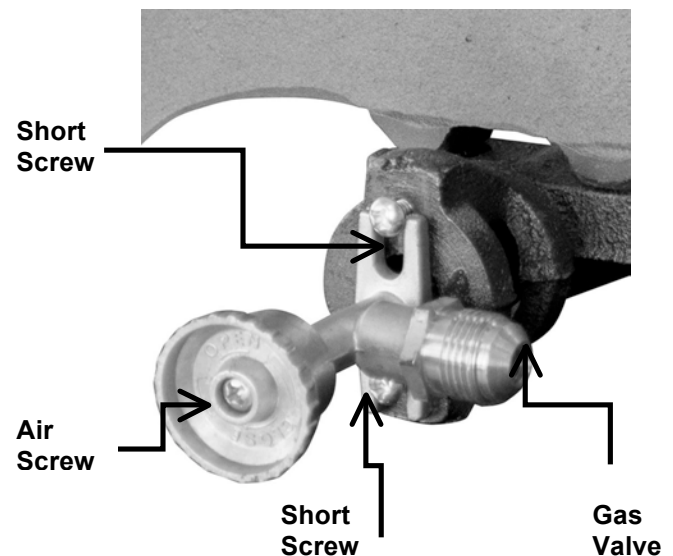
Use Long Screw



Double Nut



Attach the gas valve using the supplied screws.



(Gas Inlet Valve Should Be On LEFT Side)





1) To Connect The Regulator Hose To The Stove ...



2) Use A Wrench To Tighten This End To Valve.



3) Follow The Manufacturers Directions to Hand-Tighten To Propane Tank