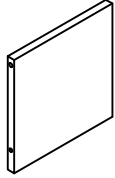


ASSEMBLY INSTRUCTION

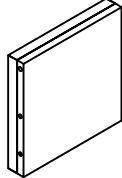
X-FRAME 3-SHELF BOOKCASE

A Shelf



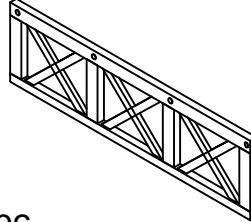
3pcs

B Bottom



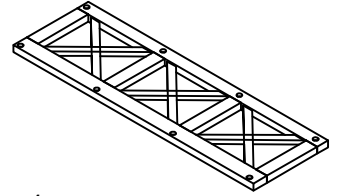
1pc

C Side Panel



1pc

D Back Panel



1pc

E Bolt
Ø1/4"x32mm



12pcs

F Lock Washer
Ø1/4"



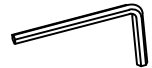
12pcs

G Flat Washer
Ø1/4"x15x1.5mm



12pcs

H Allen Key
M4



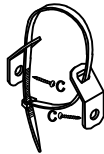
1pc

I Wood Dowel
Ø8x30mm

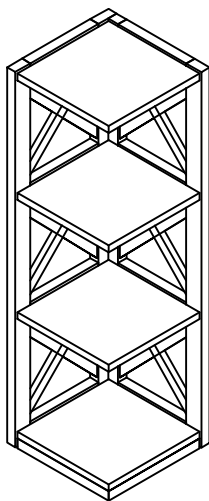


13pcs

J Anti-Tipping Kit

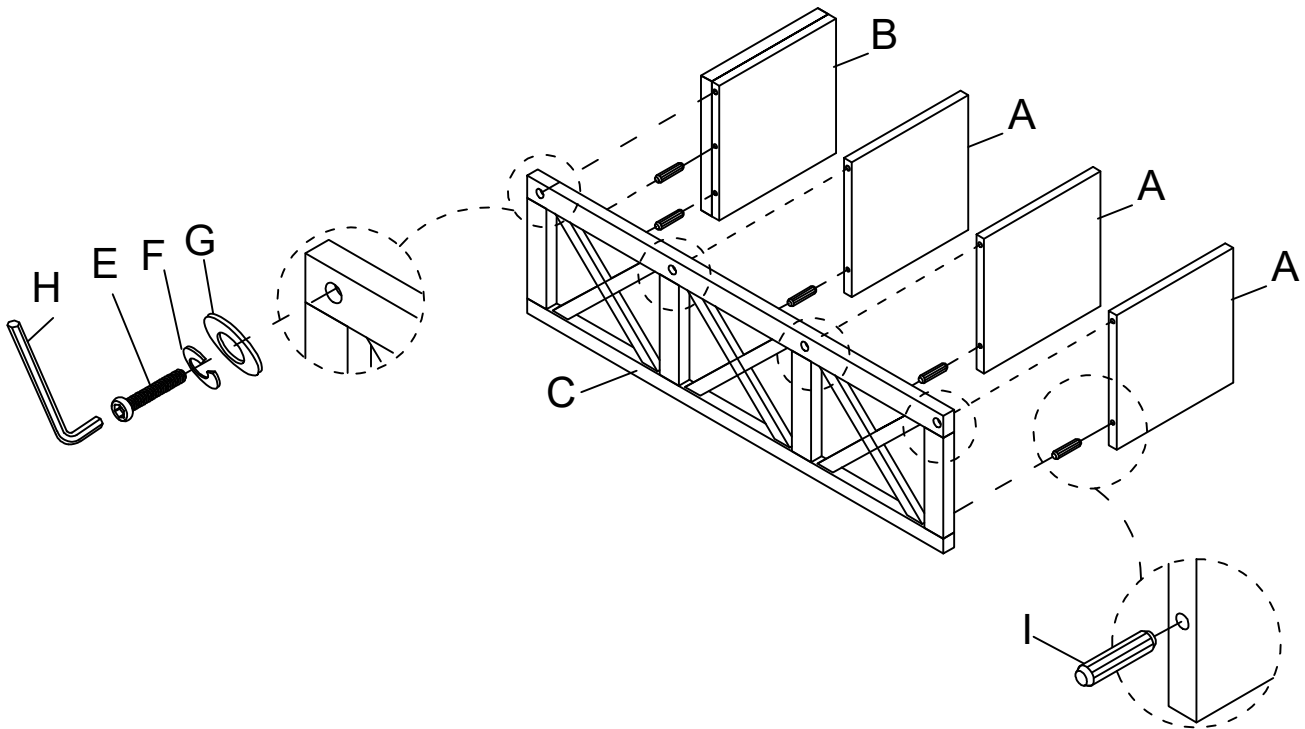


2sets

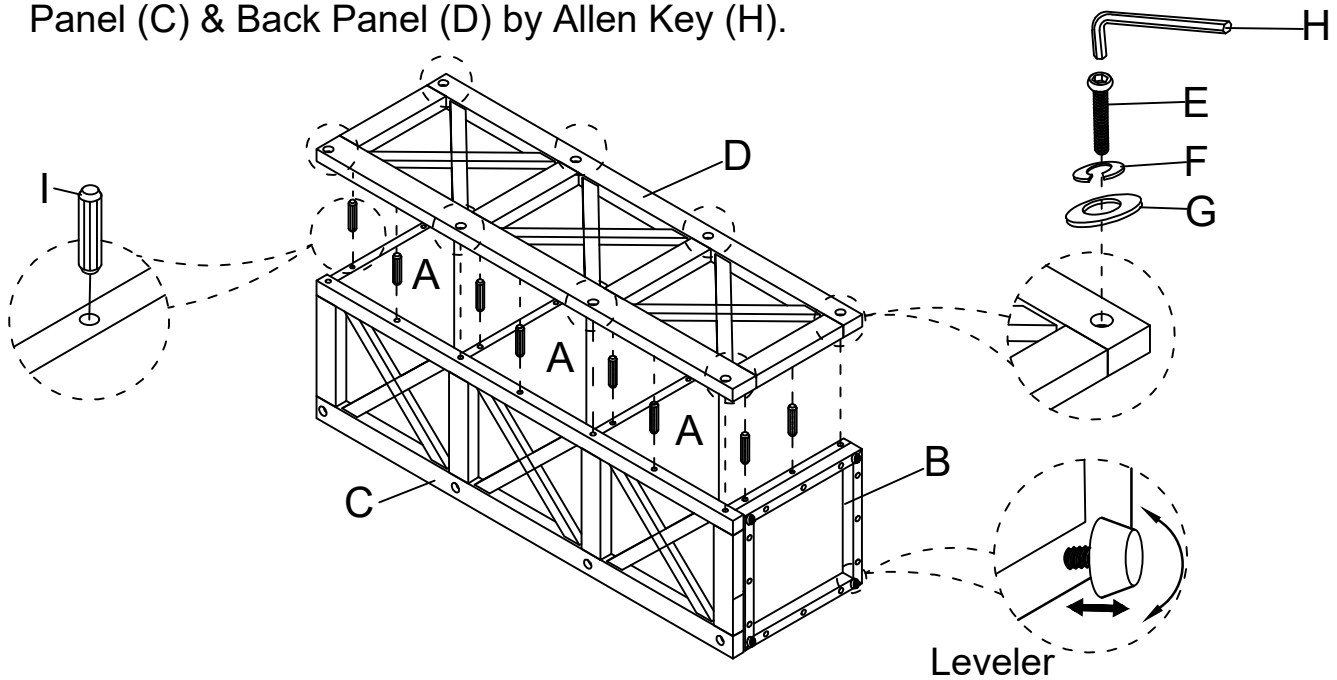


This page lists all the contents included in the box. Please take the time to identify the hardware as well as the individual components to this product. As you unpack and prepare for assembly, place the contents on a carpeted or padded area to protect them from damage.

1 Attach Wood Dowel (I) to Shelf (A) and Bottom (B), and then assemble Shelf (A) & Bottom (B) to the Side Panel (C) using Bolt (E), Lock Washer (F) and Flat Washer (G) in holes of Side Panel (C) by Allen Key (H).

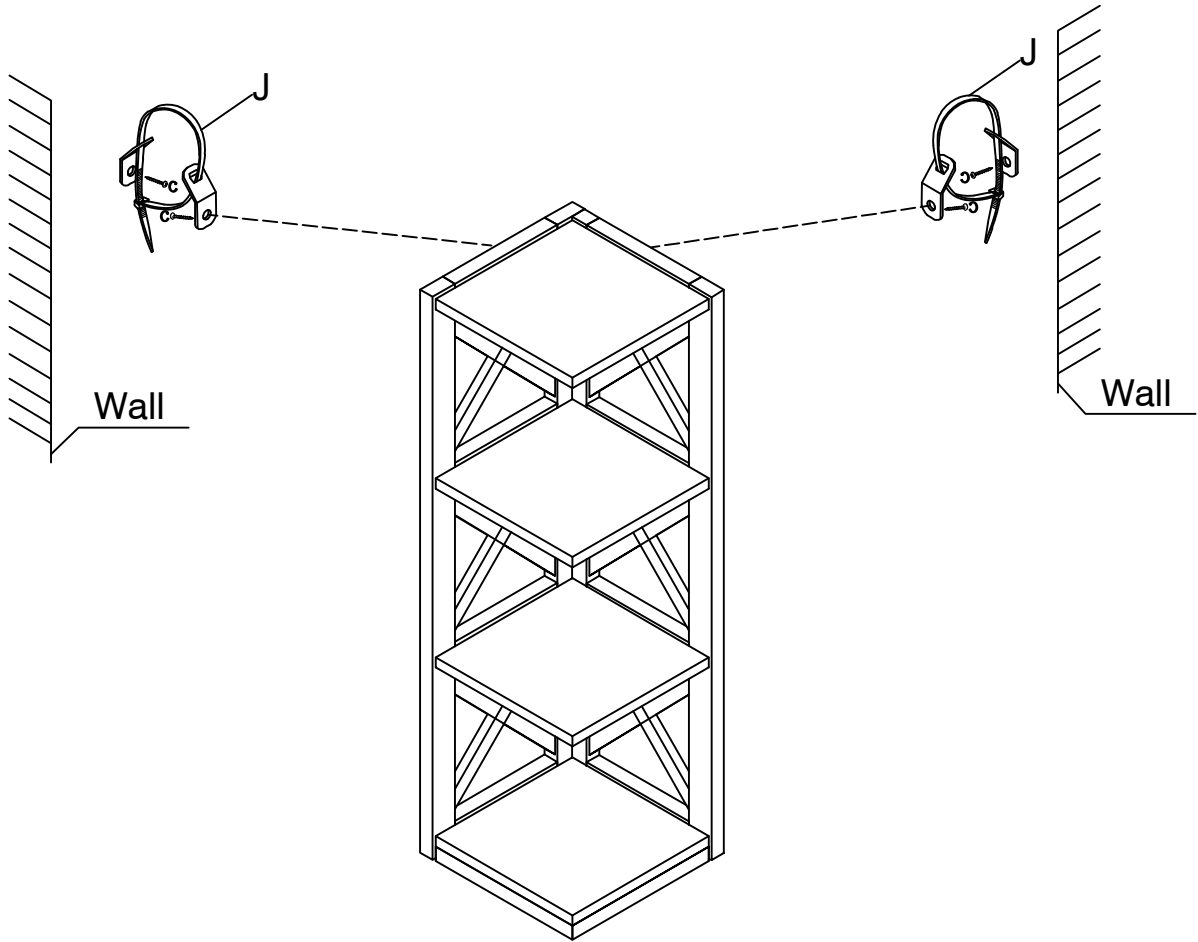


2 Attach Wood Dowel (I) to Side Panel (C) and Back Panel (D), then using Bolt (E), Lock Washer (F) and Flat Washer (G) to tighten Shelf (A) & Bottom (B) with Side Panel (C) & Back Panel (D) by Allen Key (H).



Turn left or turn right to adjust the leveler until the bookcase is stabilized.

-
- 3** Remark: There is a tip restraint kit provided on the back of this product.
Please refer carefully to the instruction on the tip restraint kit and following instruction picture for installation.



Cleaning & Care

Treat surface with care. Surface is resistant to scratches but is not scratch resistant. Clean surfaces with a dry or damp soft cloth. Do not use abrasive cleaners. Hardware may loosen over time. Periodically check that all connections are tight.