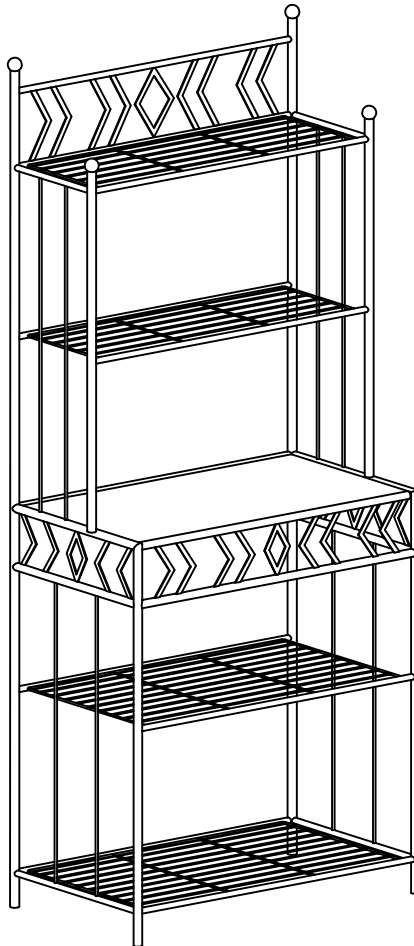


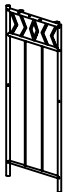


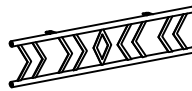

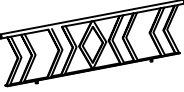




ASSEMBLY INSTRUCTIONS






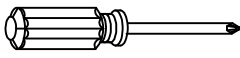
NOTE TO CUSTOMERS:

- For ease and speed of assembly we recommend that before you commence each step of the assembly that you identify all the parts required to complete that step.
- We recommend that where possible you allow sufficient space to assemble the item as close as possible to the place where it will be once assembled.
- For the protection of your furniture we recommend that the product is placed on protected surfaces during assembly to prevent any damage.
- During assembly do not over tighten, as this may damage the product.
- Please ensure you retain all the product packaging until the item completely assembled.
- Please periodically check all fittings and re-tighten as necessary.
- Please never allow any liquids to remain on your furniture as absorption can cause the wood to warp or finish to de-laminate.
- It is recommended that this item should be assembled by two adults.

Part List

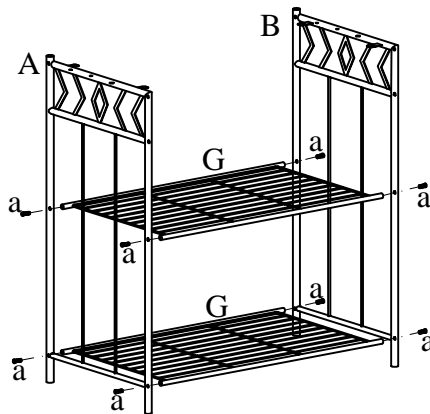
				
A: Lower Side Frame (left) 1PC	B: Lower Side Frame (right) 1PC	C: Upper Side Frame 2PCS	D: Lower Apron 1PC	E: Connect Bar 1PC
				
F: Upper Apron 1PC	G: Lower Frame 2PCS	H: Middle Frame 1PC	I: Upper Frame 1PC	J: Panel 1PC

Hardware List

			
a: Bolt 26PCS	b: Screw 8PCS	d: Allen Key 1PC	(NOT INCLUDED)

STEP 1

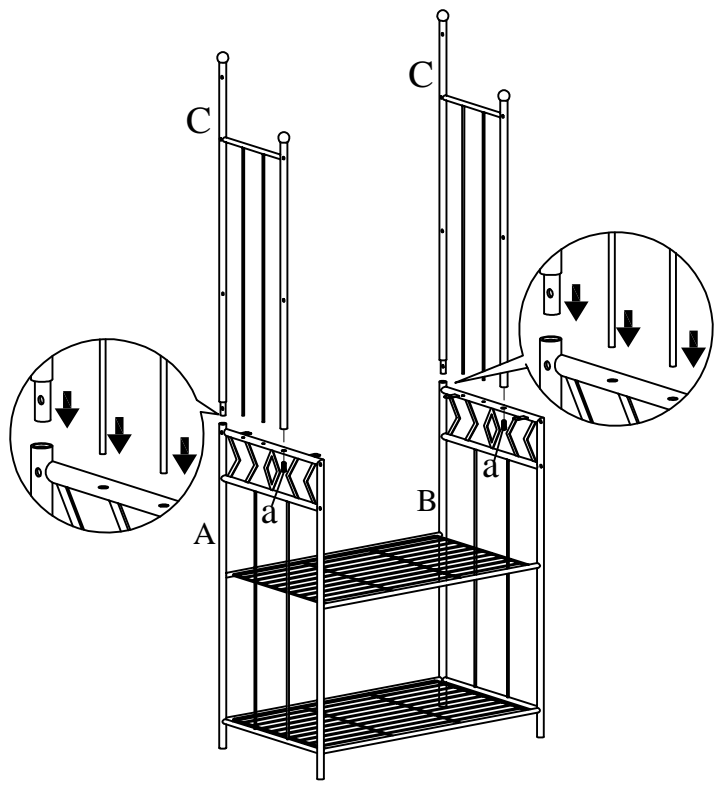
a  8pcs



Assemble Lower Frames (G) to Lower Side Frames (A&B) using Bolts (a). Please do not tighten Bolts (a) until step 5.

STEP 2

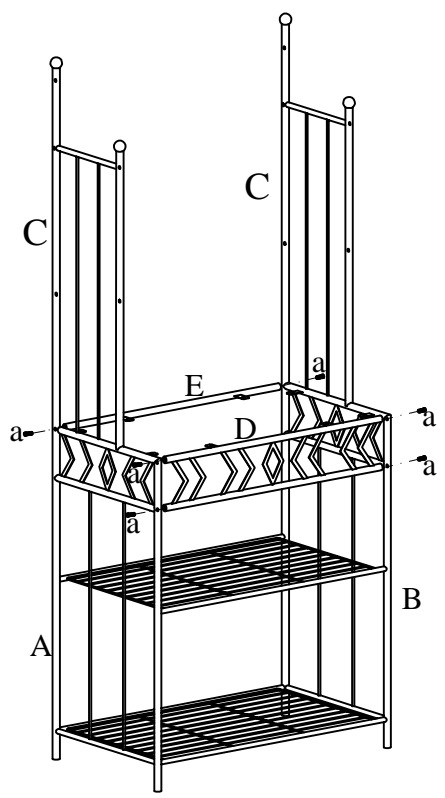
a  2pcs



Insert Upper Side Frames (C) into holes on Lower Side Panels (A&B) as above drawing shown. Then attach them using Bolts (a). Please do not tighten Bolts (a) until step 5.

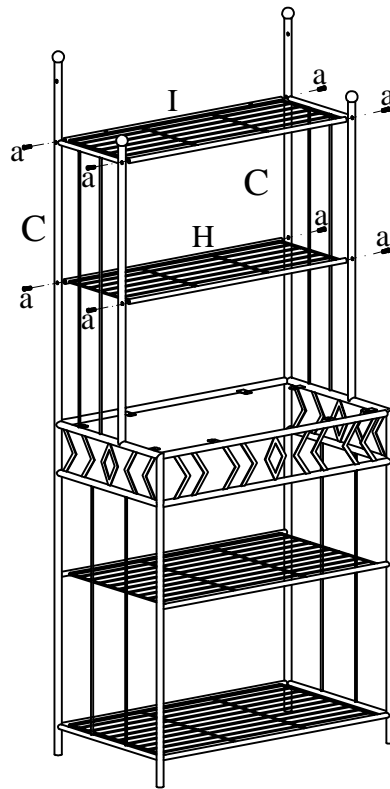
STEP 3

a  6pcs



Attach Connect Bar (E) to Side Frames (A&B&C) using Bolts (a).
Assemble Lower Apron (D) to Lower Side Frames (A&B) using Bolts (a).
Please do not tighten Bolts (a) until step 5.

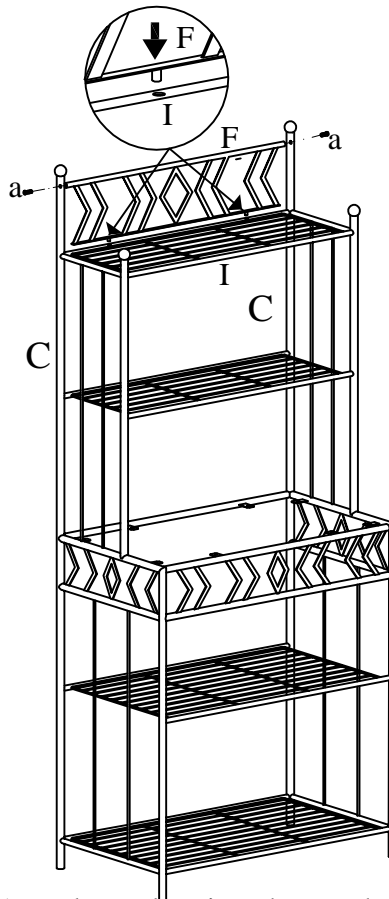
STEP 4



a  8pcs

Assemble Middle Frame (H) and Upper Frame (I) to Upper Side Frames (C) using Bolts (a). Please do not tighten Bolts (a) until step 5.


STEP 5

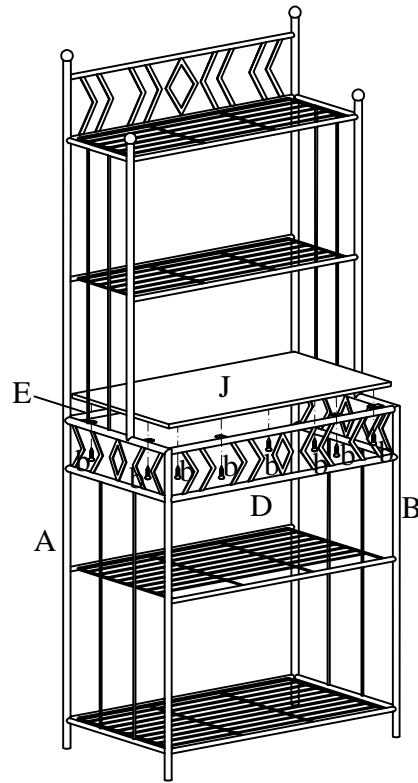


a  2pcs

Insert Upper Apron (F) into Upper Shelf (I) as above drawing shown, then attach the 2 sides of Upper Apron (F) to the 2 Side Frames (C) using Bolts (a). Place the rack on the floor and check if it is stable before tightening all bolts.

STEP 6

b  8pcs



Attach Panel (J) to Lower Apron (D), Lower Side Frames (A&B) and Connect Bar (E) using Screws (b).