


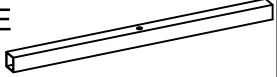
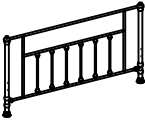



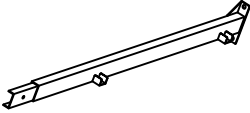
# ASSEMBLY INSTRUCTION FOR ACME FURNITURE

## MODEL#BD00134Q


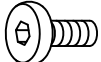
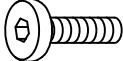
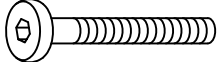


Thank you for purchasing the quality product. Be sure to check all packing material carefully for small parts which may have come loose inside the cation during shipment. Seperate, identify and count all parts and metal hardware. Compare with all parts list to be sure all parts are present. If any part(s) are missing or damaged, please contact your local furniture dealer. For efficient and speedy service, please indicate the model number and code letter of part(s) needed.

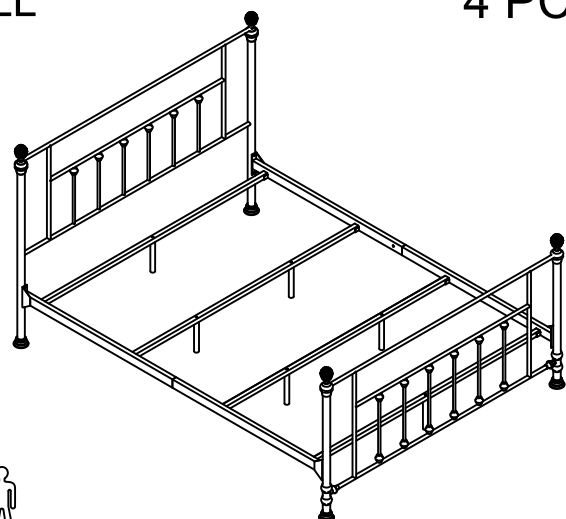
\*\*\* Do not fully tighten screws until fully assembled \*\*\*

### COMPONENT PARTS



DESCRIPTION	PART NAME	QTY (PCS)	DESCRIPTION	PART NAME	QTY (PCS)
①	HEADBOARD 	1	⑤	CROSS TUBE 	2
②	FOOTBOARD 	1	⑥	CROSS TUBE 	2
③	SIDE RAIL 	2	⑦	SUPPORT LEG 	6
④	SIDE RAIL 	2			

### HARDWARE REQUIRED

Ⓐ		ALLEN KEY		1 PC
Ⓑ		BOLT	φ1/4"*15mm	14 PCS
Ⓒ		BOLT	φ1/4"*18mm	8 PCS
Ⓓ		BOLT	φ1/4"*44mm	6 PCS
Ⓔ		WASHER		28 PCS
Ⓕ		DECO-BALL		4 PCS



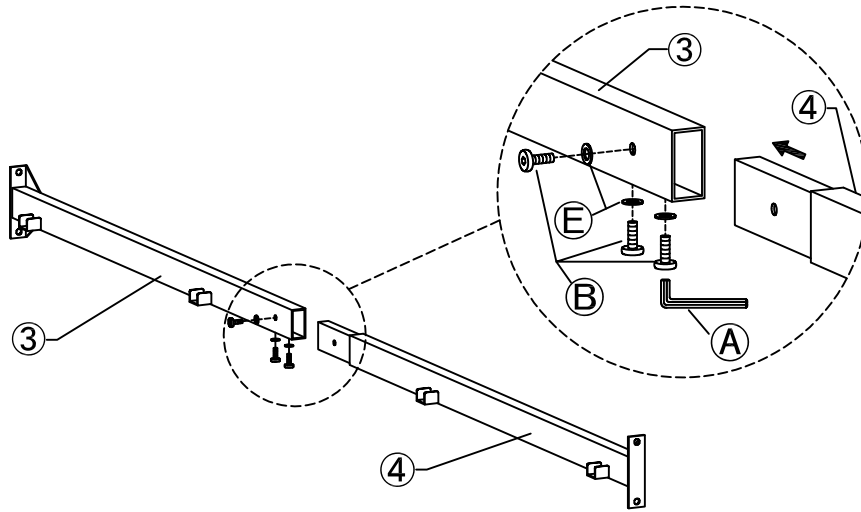
### Attention

\*\*\* Assembly required: 2-people recommended.  

\*\*\* Some number parts listed on the instruction sheet may not be in parts bag as they may already be assembled. Carefully check parts and packing materials prior to ordering replacements.

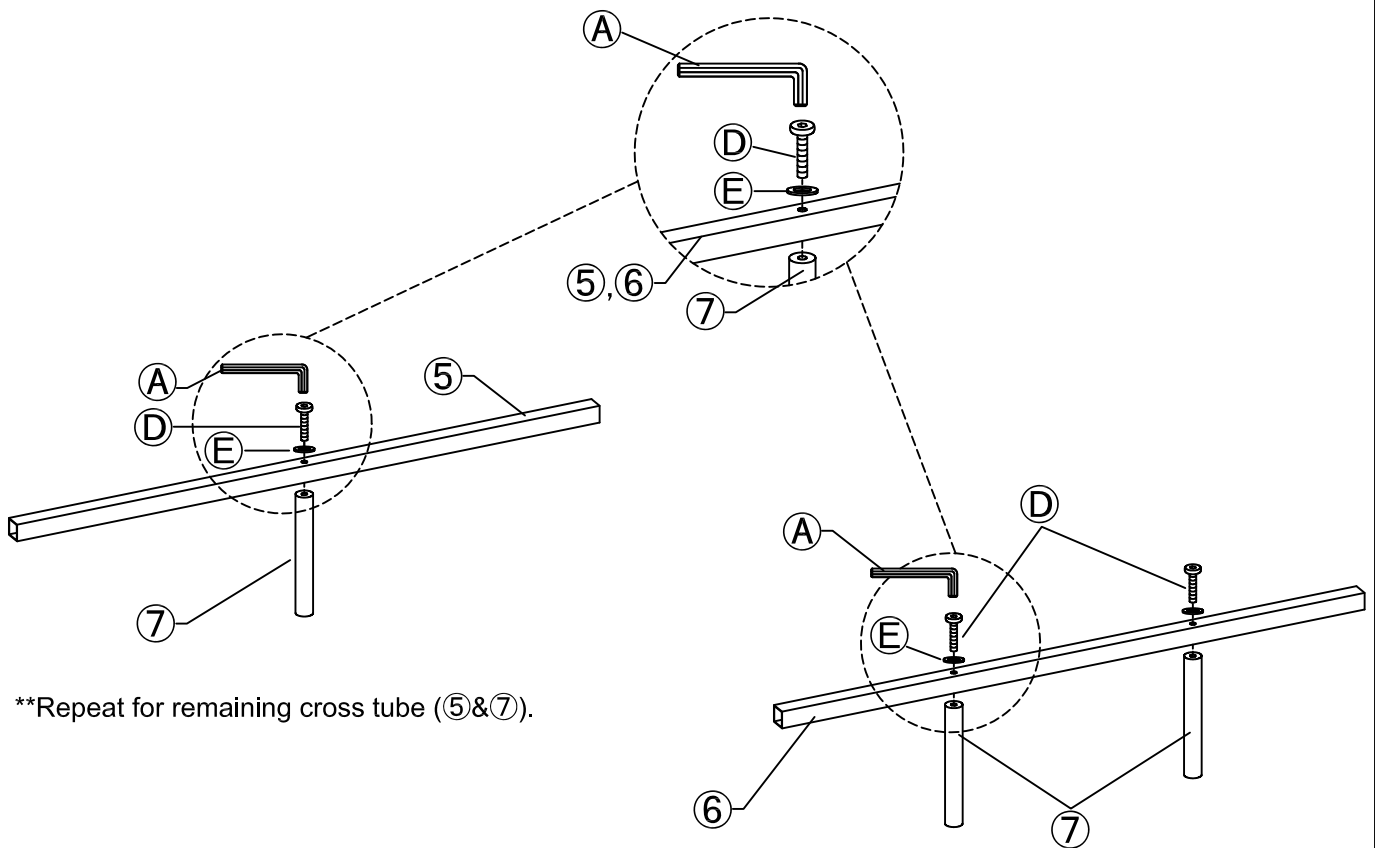
# How to assemble:

## STEP 1



\*\*Repeat for remaining side rail (③&④).

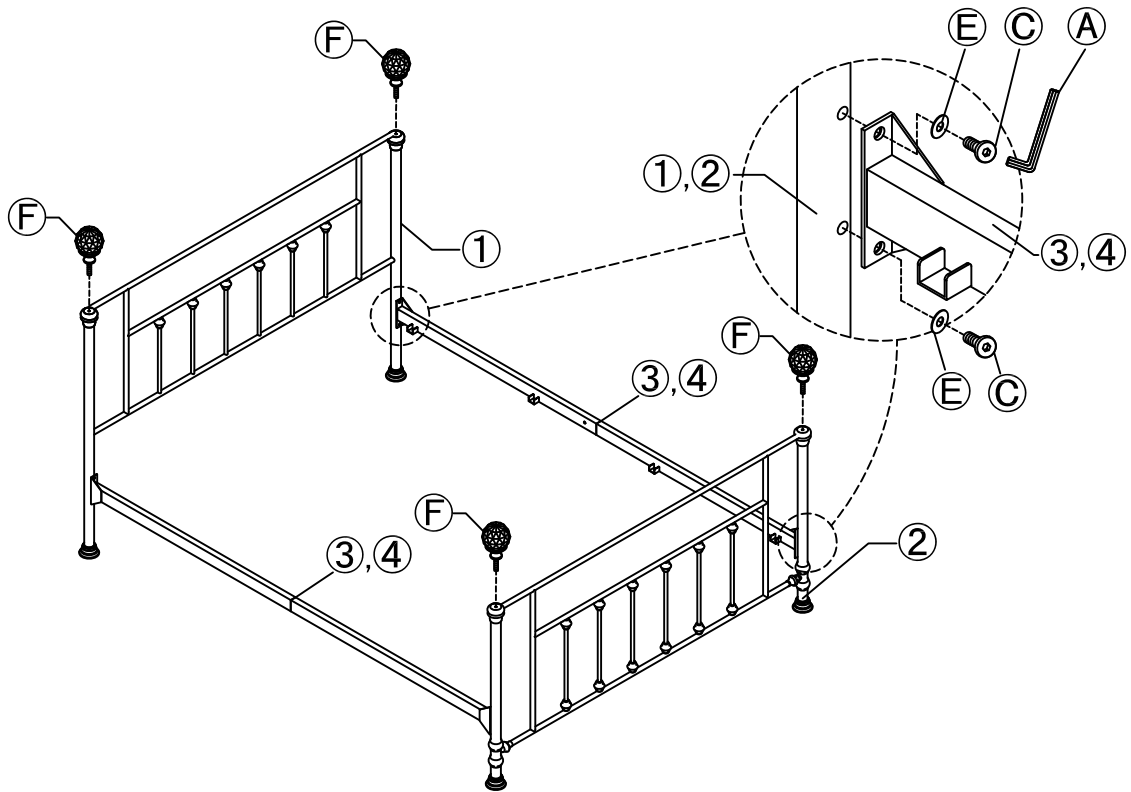
## STEP 2



\*\*Repeat for remaining cross tube (⑤&⑦).

\*\*Repeat for remaining cross tube (⑥&⑦).

### STEP 3



### STEP 4

