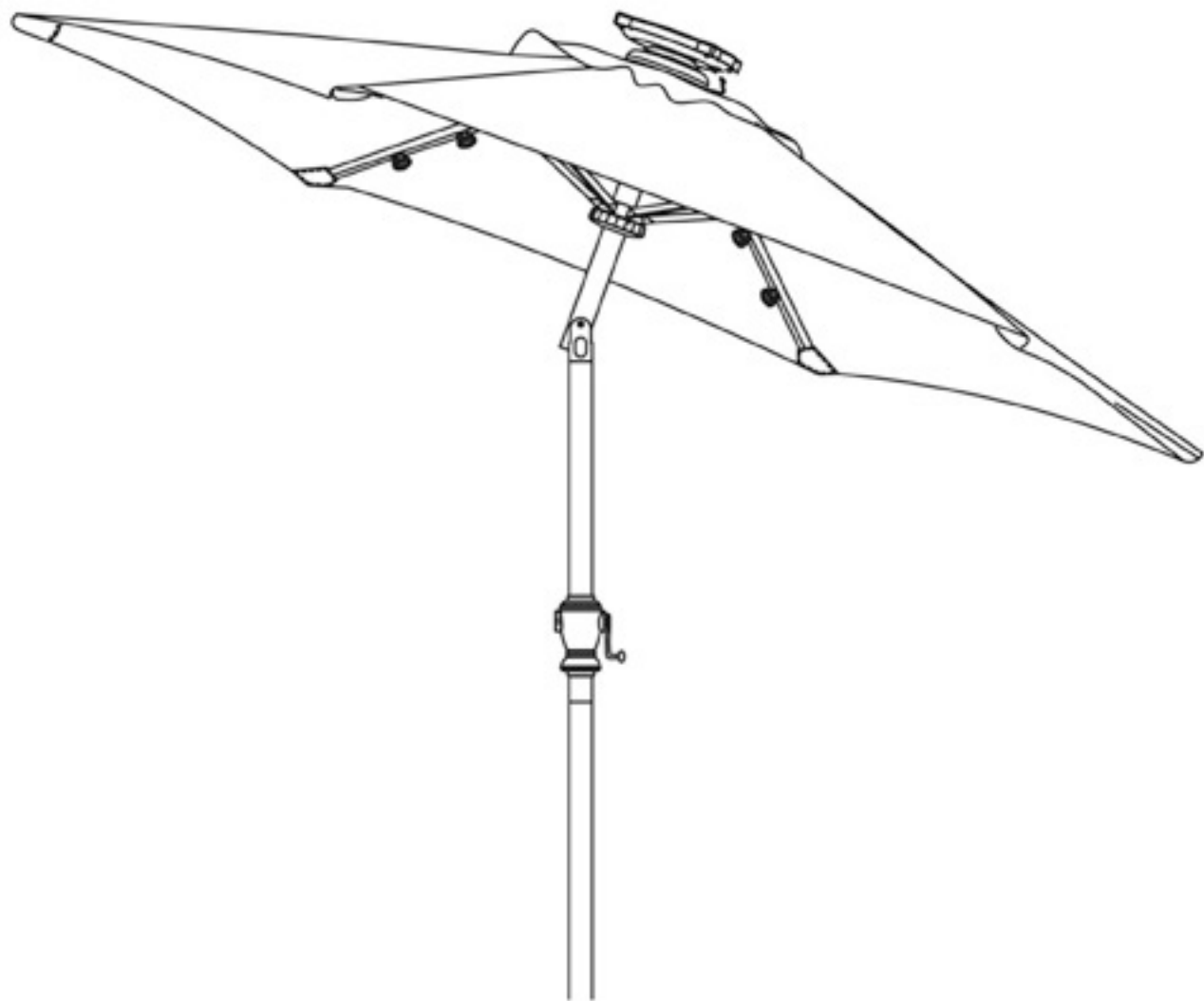




Thank you for choosing Sunnydaze Décor. If you have any questions, comments or concerns please feel free to contact us by phone at: 888-881-4668, by email: customerservice@serenityhealth.com, or you could also email us via our contact us page at: www.serenityhealth.com/contact-us/.

We stand behind our brand and the quality of the items we sell. We will send new parts, or replace products at our discretion within the one year warranty period. Before we can help, you will need to provide proof of purchase with the date of purchase and photos of the defective merchandise. We will use the photos to determine the cause of defect and for future quality control.

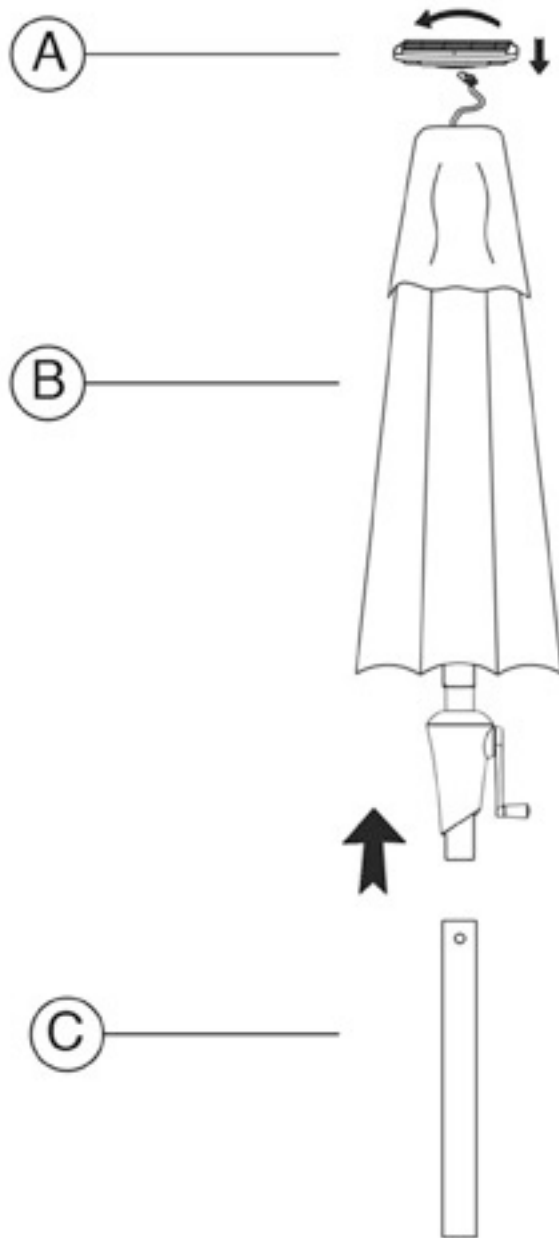
Tilt Solar LED Umbrella



The schematics in this manual are for assembly and operation illustration only. They may differ from the umbrella's actual appearance.

Package Contents

Before beginning product assembly, make sure all contents are present. Compare parts with package contents list and diagram. If any part is missing or damaged, do not attempt to assemble the product or return to the place of purchase. Contact our customer service toll free at **888-881-4668** for replacement parts or further instructions.



PART	DESCRIPTION	QUANTITY
A	Solar Panel	1 pc.
B	Umbrella Frame with Durable, Fade Resistant Olefin Fabric Canopy	1 pc.
C	Bottom Pole	1 pc.

Setup and Operation

CAUTION:

Do not use sharp tools or equipment such as a knife or scissors when removing the protective material, as it may damage the product.

WARNING:

Read the entire instructions before beginning and follow the steps outlined. Failure to assemble and install as instructed could result in the umbrella tipping over causing personal injury and/or property damage.

1



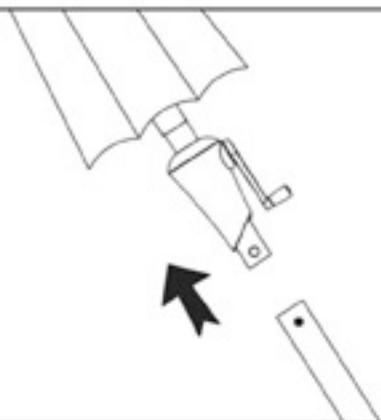
Step 1: Insert the plug into the socket under the solar panel.

2



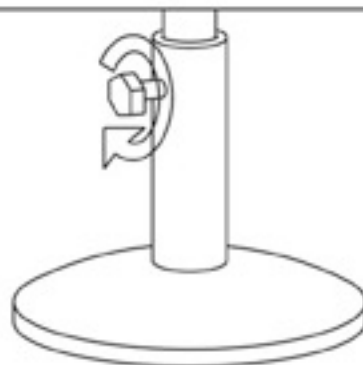
Step 2: Put the solar panel on the top of umbrella and hide the plug and wire inside the groove at the top of umbrella. Then turn the solar panel clockwise. Do not over tighten.

3



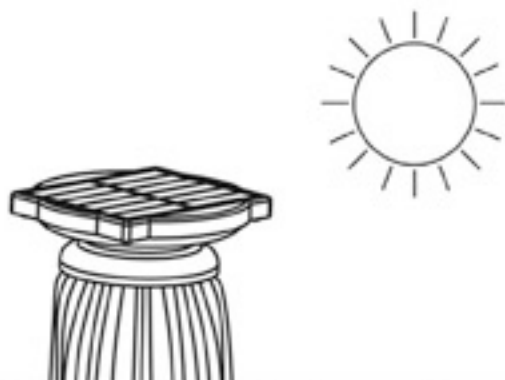
Step 3: Insert the bottom pole into the upper pole while pressing the snap button on the bottom pole until the snap button locks into position.

4



Step 4: We recommend that you stand and secure the umbrella base (not included). Secure the umbrella pole firmly by tightening the locking nut.

5

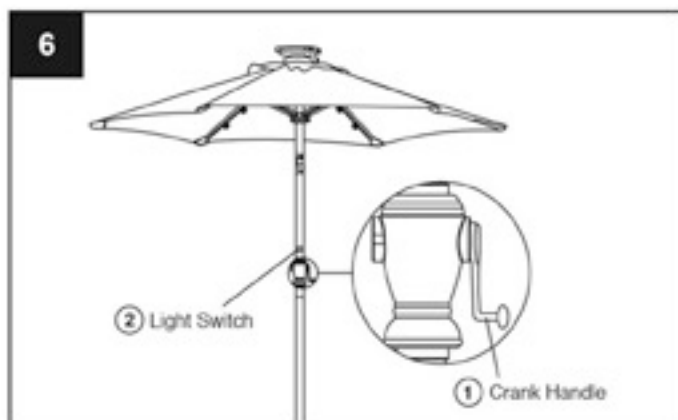


Step 5: Put the solar umbrella in direct sunlight to charge the batteries for 8 hours before the first use.

INFORMATION:

Please remove the plastic film on the solar panel. This protective film is to prevent damage during shipping. Failure to remove the film will result in the solar panel not functioning properly.

Setup and Operation



Step 6: Turn the crank handle in the clockwise direction to open the umbrella canopy, in the opposite direction to close the canopy. To close the umbrella it must be in the upright position. Press the light switch to turn on/off the solar lights.

Reverse the set-up steps 6, 4, 3 to take down the umbrella.

- You must charge batteries before first use.
- Please note that batteries can discharge if they are left unused or uncharged for a long period of time. We recommend you charge your solar umbrella for at least 8 hours in direct sunlight before the first use. Failure to charge the batteries will result in premature dimming of the lights in your new solar umbrella. **MAKE SURE THE LIGHT SWITCH IS IN THE OFF POSITION WHEN CHARGING THE SOLAR PANEL.**
- For everyday normal use, turn on the light switch at nighttime when you want to use the solar light and turn off the light switch after every use. **MAKE SURE THE LIGHT SWITCH IS IN THE OFF POSITION IN THE DAYTIME FOR THE SOLAR PANEL TO RECHARGE THE BATTERIES.**

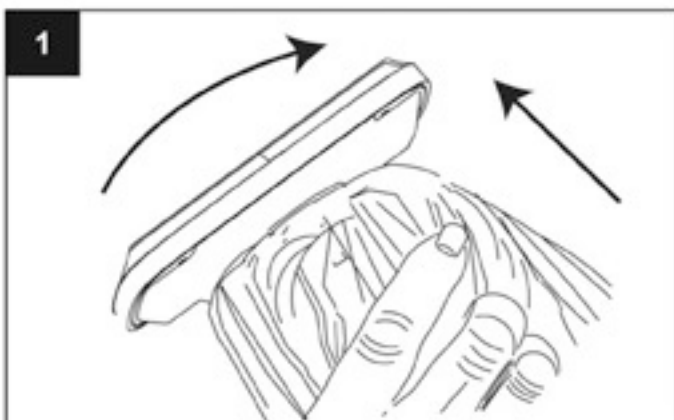
Battery Replacement

We recommend that you change the batteries in your solar light umbrella every year or when you feel the light output is diminished. Use only three (3) AA size Ni-MH 1600mAh rechargeable batteries from any major retailer.

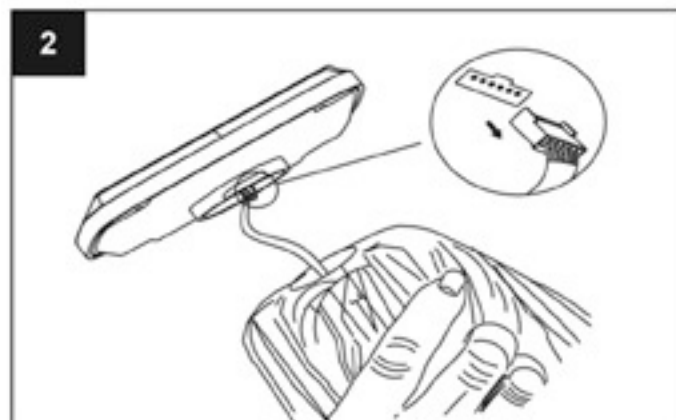
- Install only new batteries of the same type in your product.
- Failure to insert batteries in the correct polarity, as indicated in the battery compartment, may shorten the life of the batteries or cause batteries to leak.

- Do not mix old and new batteries.
- Do not mix Alkaline, Nickel Cadmium or Lithium rechargeable batteries.
- Do not dispose of batteries in fire.
- Batteries should be recycled or disposed of as per state, provincial and local guidelines.

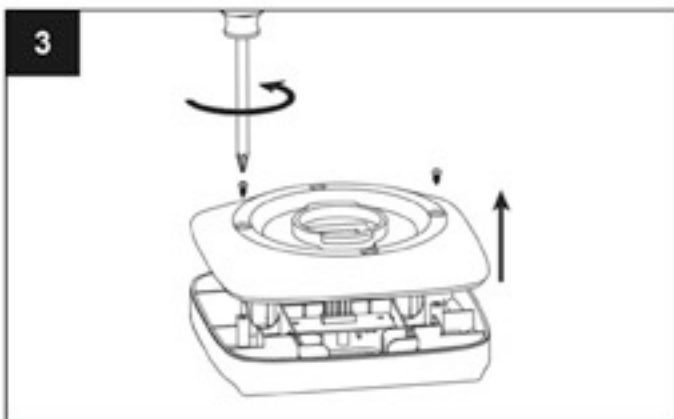
Tools required: Phillips head screw driver (not included)



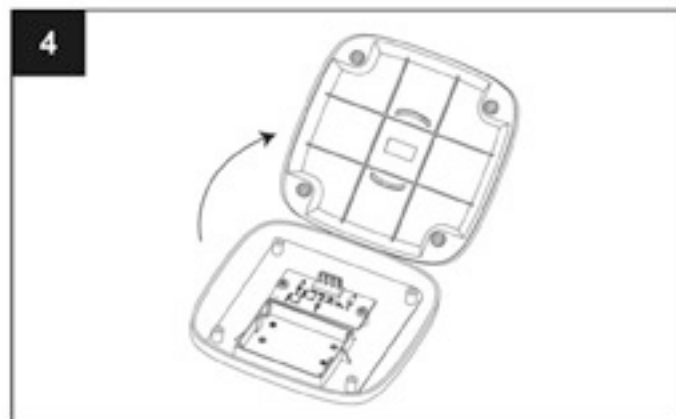
Step 1: Twist counterclockwise and remove the solar panel from the top of the umbrella.



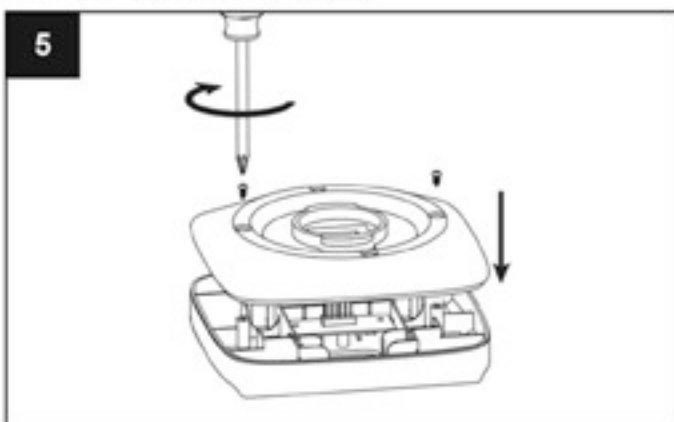
Step 2: Pull the plug out of the socket under the solar panel. Pull by holding the plug, not by pulling on the wires.



Step 3: Place the solar panel upside down on a flat, non-abrasive surface to avoid scratching. Remove four (4) screws on the bottom case.



Step 4: Carefully open the bottom case and set aside. Replace the battery, matching the +/- on the battery with the +/- on the battery case.



Step 5: Carefully replace the bottom case. Align the screw holes and replace the screws. Do not over tighten the screws.

Care & Maintenance

CANOPY CARE INSTRUCTIONS:

- Simply clean the umbrella canopy with a soft brush and mild detergent.
- Do not machine wash.
- Do not iron.
- Air-dry the canopy thoroughly before storing for extended periods of time. Make sure the canopy is completely open during drying process to prevent shrinkage.

Warnings and Cautions



DANGER: Keep children out of the assembly area during assembly.



WARNING: Read the entire instructions before beginning and follow the steps outlined. Failure to assemble and install as instructed could result in the umbrella tipping over causing personal injury and/or property damage.



WARNING: To prevent damage to the canopy, open the umbrella facing the opposite direction that the wind is blowing.



WARNING: Do not use this umbrella during periods of high winds and rain. Failure to do so may result in personal injury and/or damage.



WARNING: To prevent rust to the bottom of pole, base (not included) should be kept dry and clean. Never leave bottom pole and base standing in water.

CAUTION: Assemble and use umbrella on a flat surface.

CAUTION: Recommend inserting the umbrella into an umbrella base (not included) to secure umbrella in an upright position.

CAUTION: Close the umbrella and use the canopy ties when umbrella is not in use.

CAUTION: Schematics in this manual are for assembly and operation illustration only. They may differ from the umbrella's actual appearance.