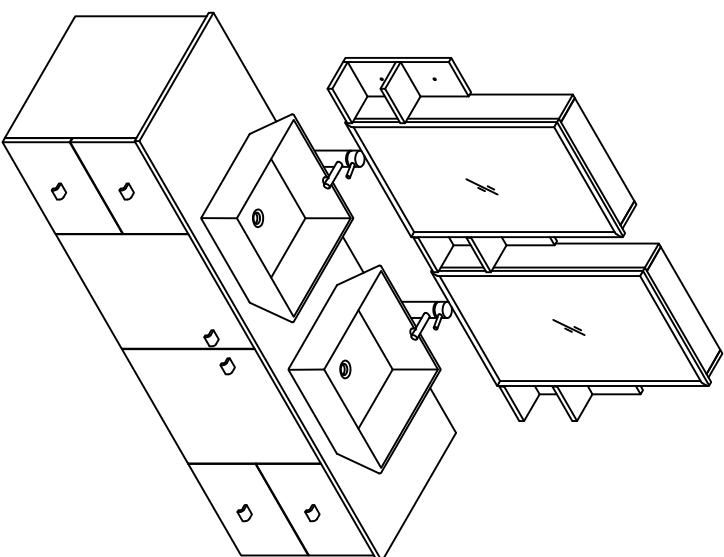
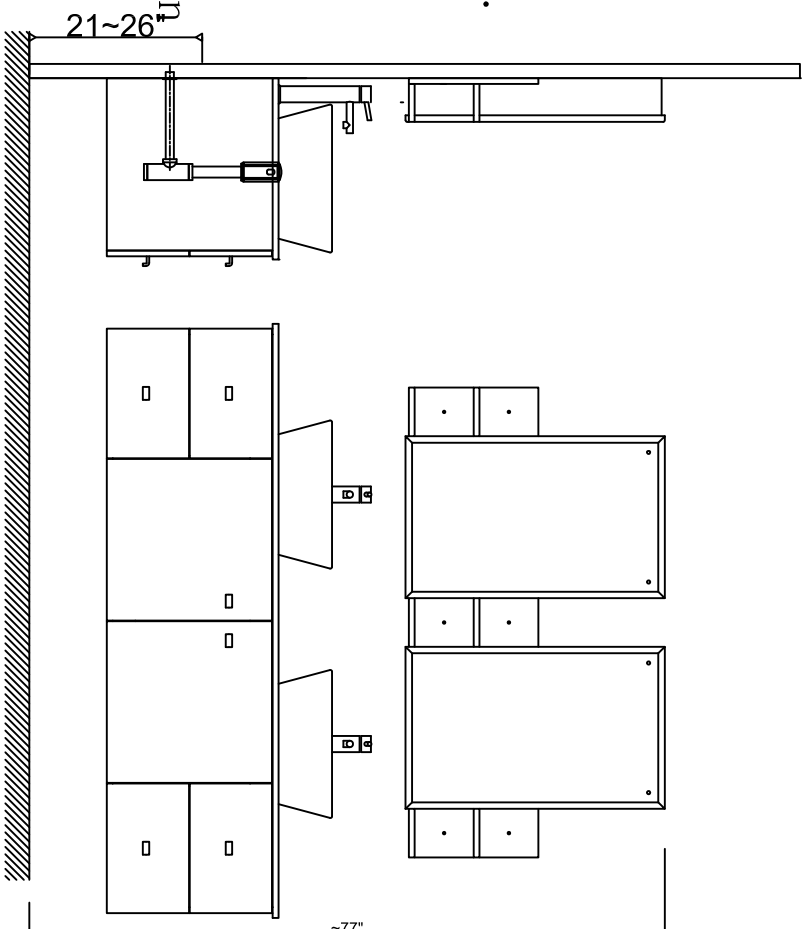
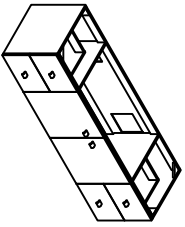


SKU : MD-415
SIZE:1550x560x530
PROHIBIT COPY

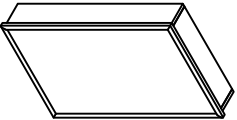
. Prior to installation please check received items against the Packing List Please report any missing items to your local dealer immediately. . Protect all surfaces from sharp objects, high heat sources, direct prolonged sunlight and chemical hazards. . Professional installation recommended.


PACKING LIST

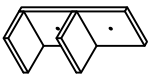
1. Main cabinet



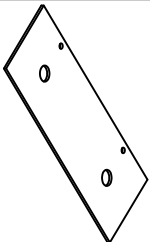
2. Mirror



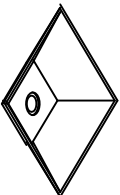
3. Shelf



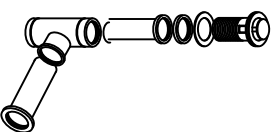
4. Top



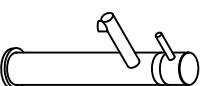
5. Ceramic basin



6. Pop up+Drain pipe



7. Faucet



8. Install screw

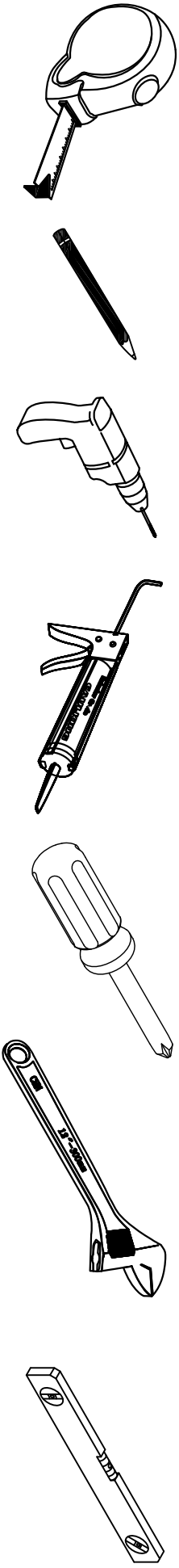


SKU : MD-415

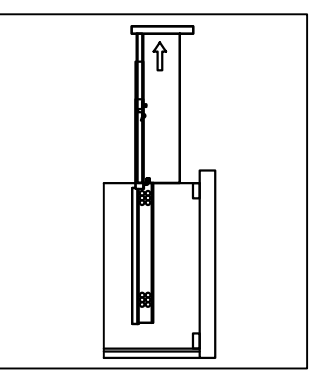
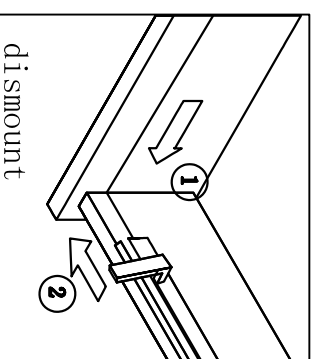
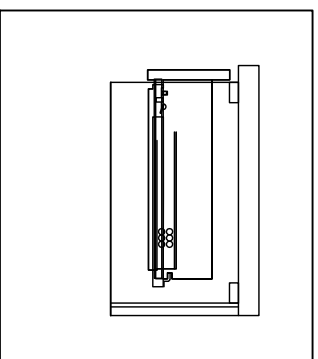
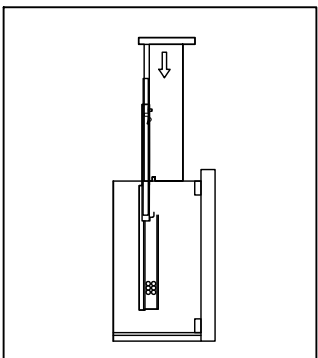
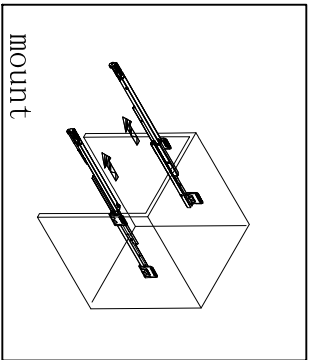
SIZE:1550x560x530

PROHIBIT COPY

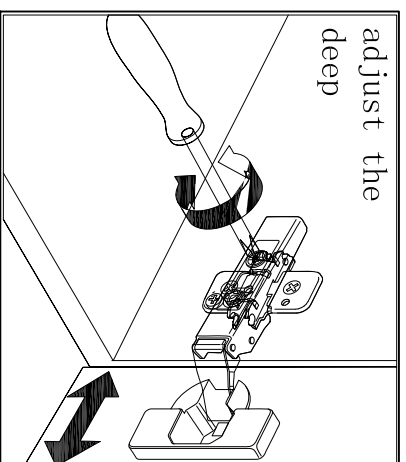
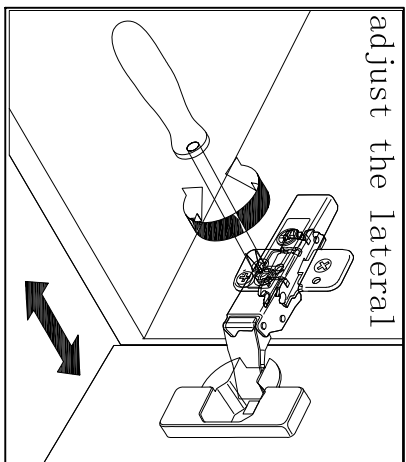
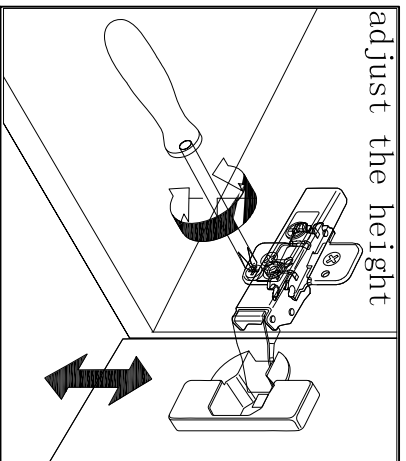
REQUIRED TOOLS



DRAWER SLIDER ATTACHMENT AND DETACHMENT



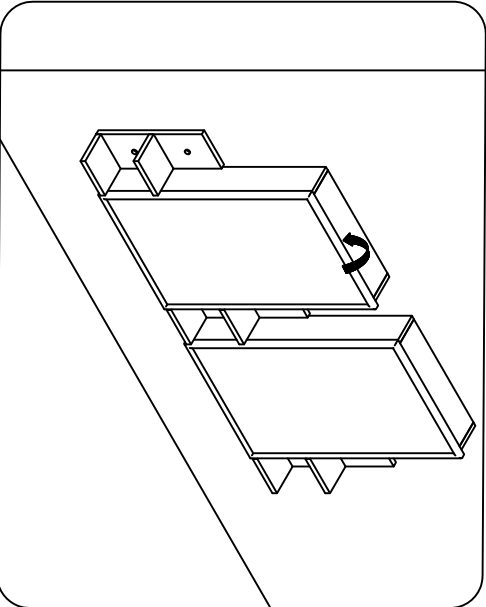
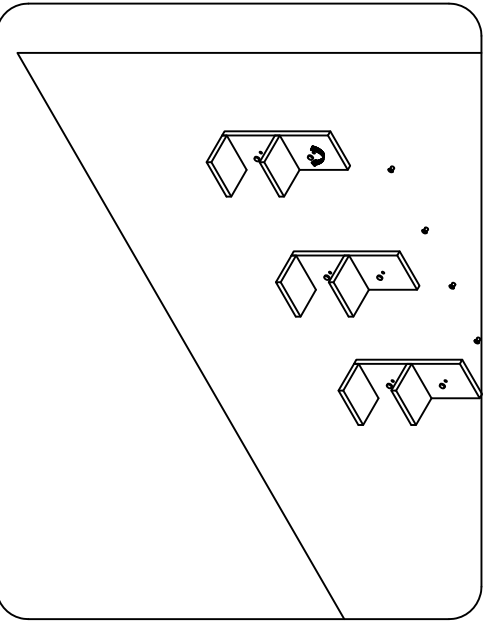
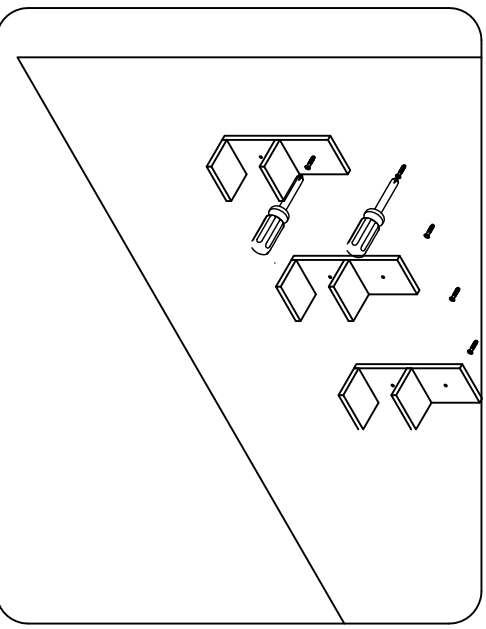
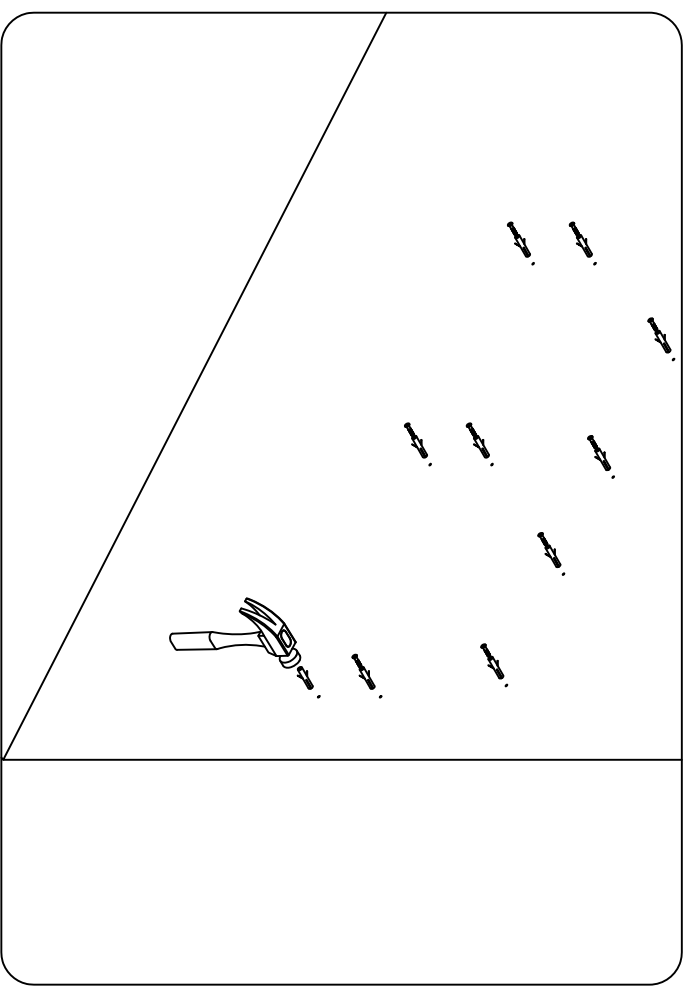
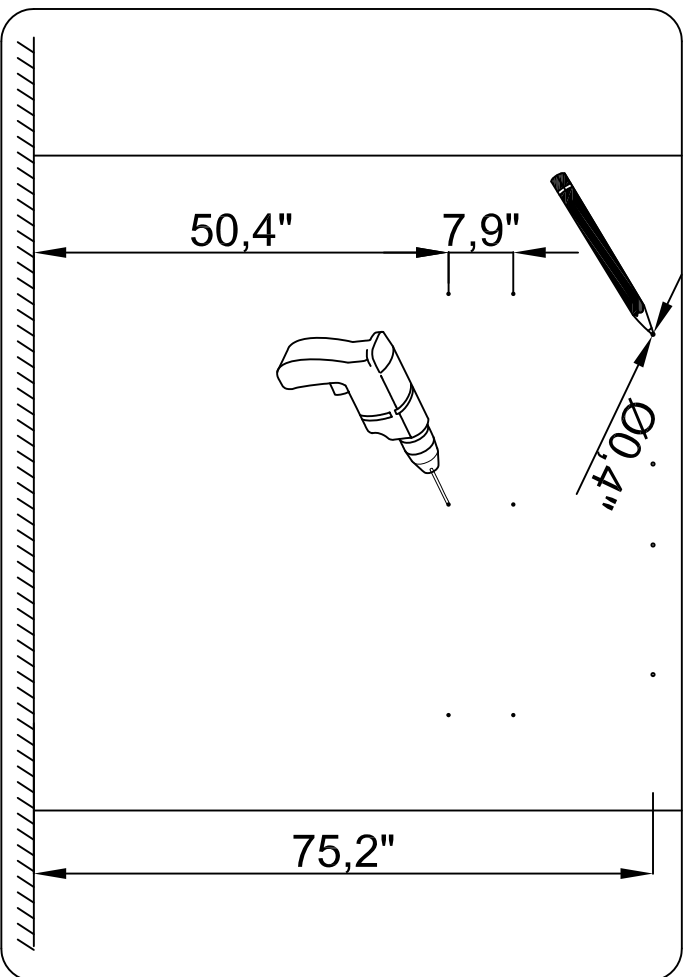
INSTALLATION AND ADJUSTION OF HINGE

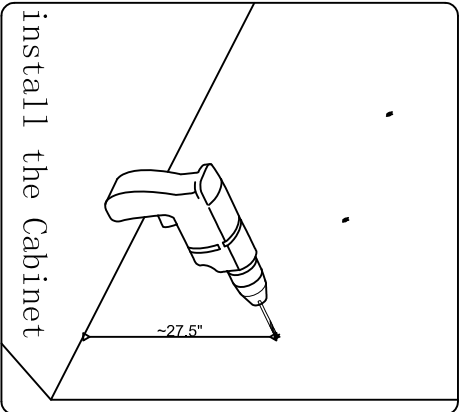


SKU : MD-415

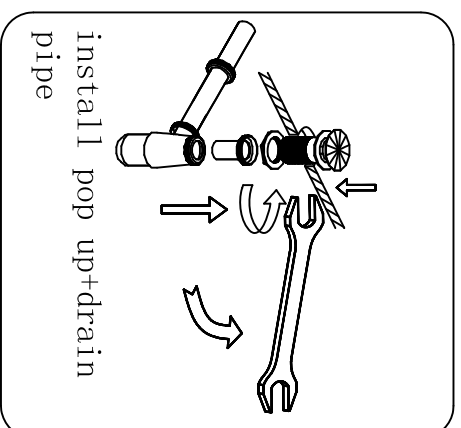
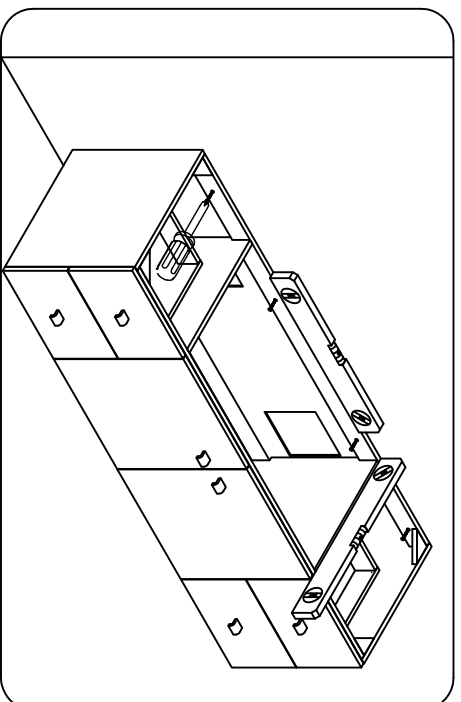
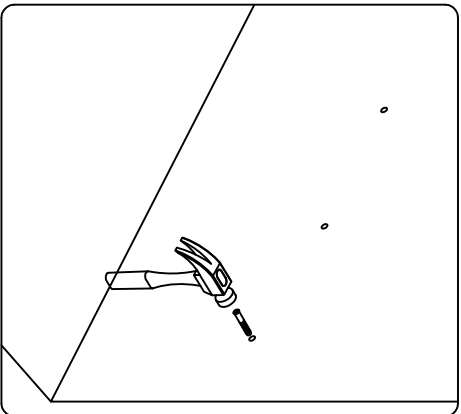
SIZE:1550x560x530

PROHIBIT COPY

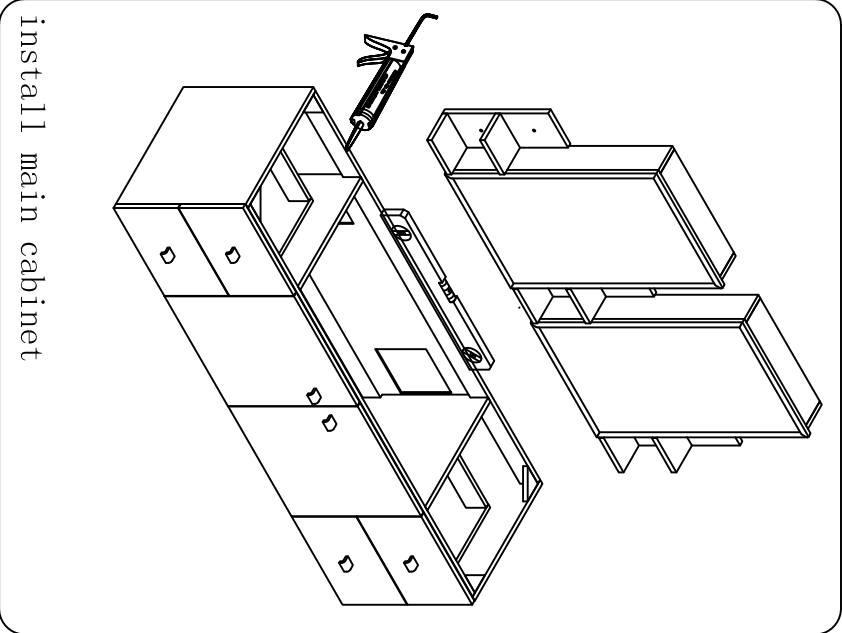


INSTALLATION INSTRUCTIONS
Confidential : A
SKU : MD-415
SIZE:1550x560x530
PROHIBIT COPY


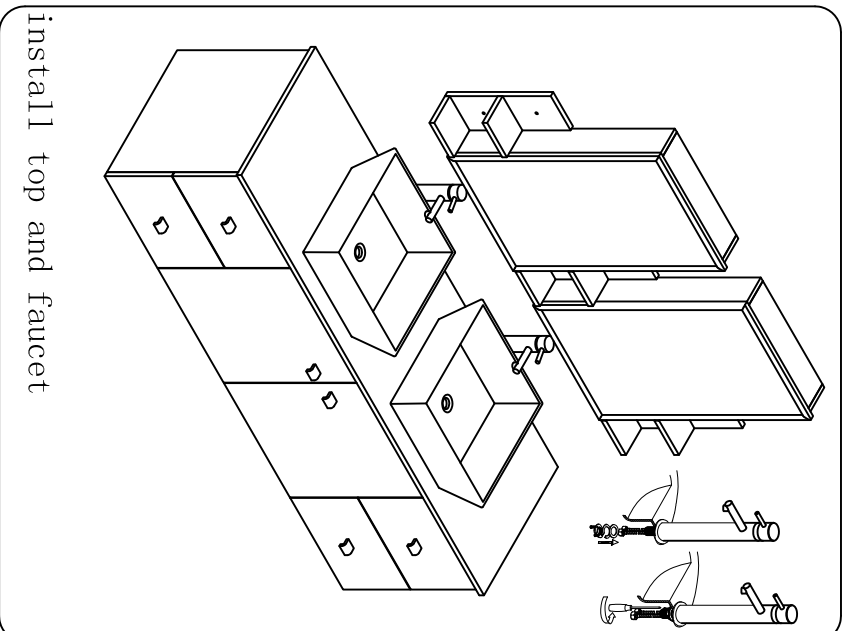
install the Cabinet



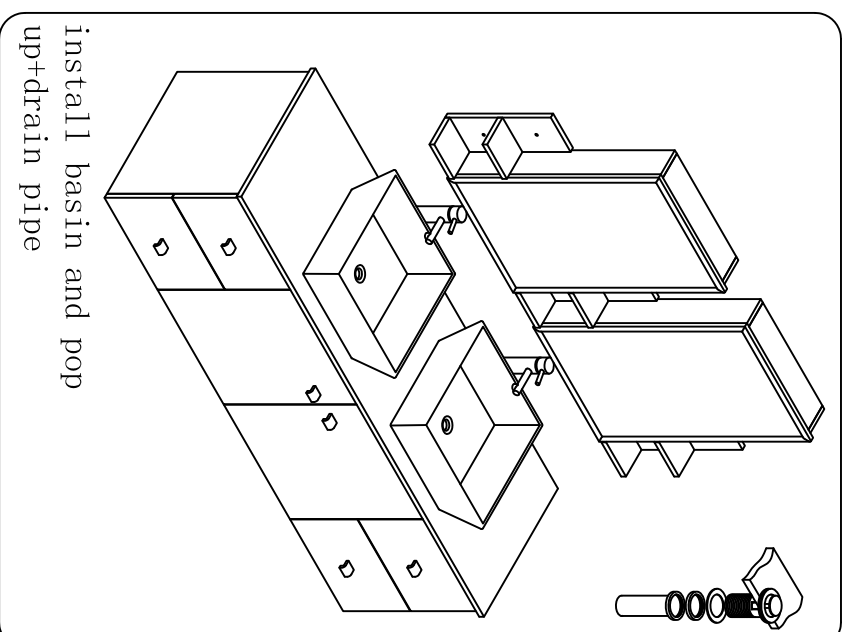
install pop up+drain pipe



install main cabinet



install top and faucet



install basin and pop up+drain pipe