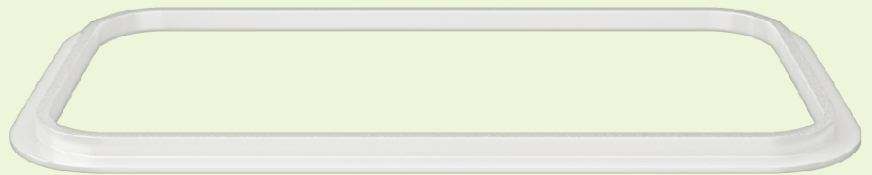
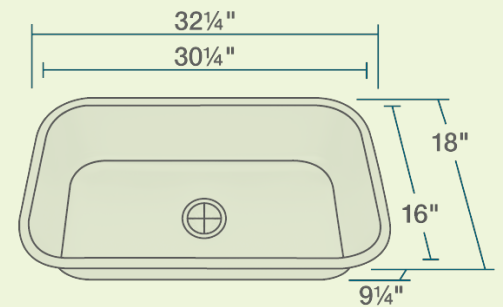




## 3218C-SLW Single Bowl Undermount Sink with White SinkLink



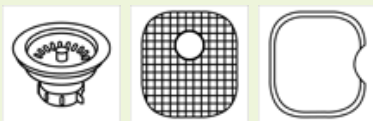
32 1/4" x 18" x 9 1/4"  
 16- or 18-Gauge Steel Available  
 Certified High-Quality 304 Stainless Steel  
 Brushed Satin Finish  
 Center Drain  
 Thick Sound Dampener Rubber Pad  
 Fully Insulated  
 One-Piece Construction  
 Limited Lifetime Warranty  
 SinkLink installation piece included



### Stainless Steel

Stainless Steel is the most popular choice for today's kitchens due to its clean look and durability. The beautiful brushed satin finish helps to hide small scratches that may occur over the lifetime of the sink. Our Stainless Steel sinks are made from high quality 14, 16, 18 or 20 gauge steel. Most models are made of one piece construction that ensures the sturdiest kitchen sink you will find. Our sinks are made from 300-series stainless steel and are guaranteed not to rust or stain. Each sink is fully insulated and has a sound dampening pad. Our stainless steel sinks are backed by a limited lifetime warranty. This sink can be mounted under a laminate countertop with the included SinkLink installation piece, creating a sleek look. Offered in white, black or gray, the SinkLink is constructed from thick durable plastic and acts as a secure barrier that keeps the foundation of the laminate countertop dry.

### Accessories



\*Accessories not included

16g UPC: 841412137324

18g UPC: 817299014805

### Features

Undermount Installation 	33" Minimum Cabinet Size 	16 or 18 Gauge Available 	Cold-Rolled Stainless Steel 	Brushed-Satin Finish 	Center Drain 3 1/2" 
Sound Dampening 	Fully Insulated 	Cutout Template 	Hardware Included 	Limited Lifetime Warranty 	One Bowl 