

MOE'S

h o m e c o l l e c t i o n


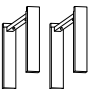
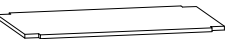



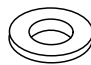
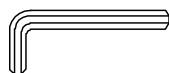
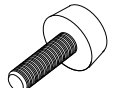
ASSEMBLY INSTRUCTIONS.

WORKSHOP COFFEE TABLE VINTAGE BROWN

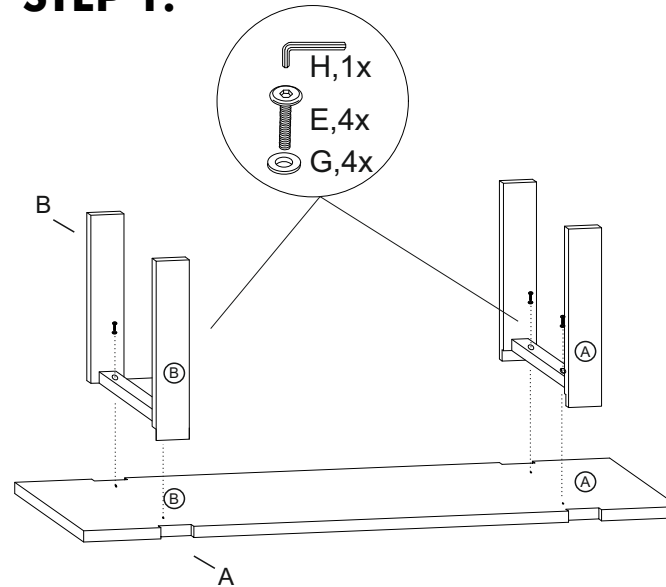
JD-1085-03



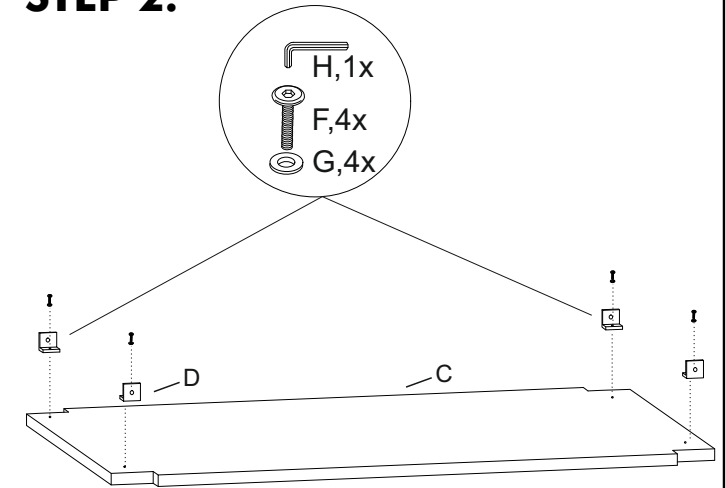
PARTS AND HARDWARE

(A) Top, 1x 	(B) Leg, 2x 
(C) Shelf, 1x 	(D) L-Clip, 4x 
(E) Flat head bolts, 4x (35x8mm) 	(F) Flat head bolts, 8x (20x8mm) 
(G) Washer, 12x (25x8mm) 	(H) Allen Key, 1x (5mm) 
(I) Leveler, 4x 	

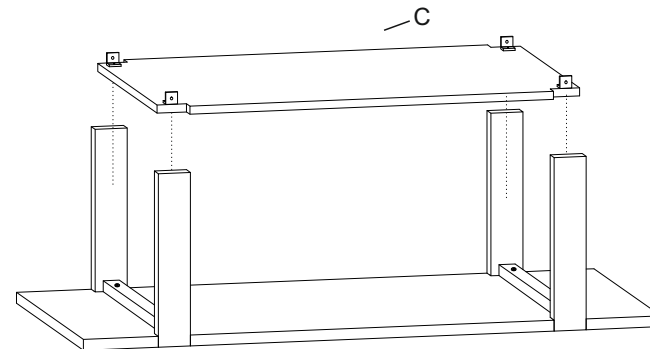
STEP 1.



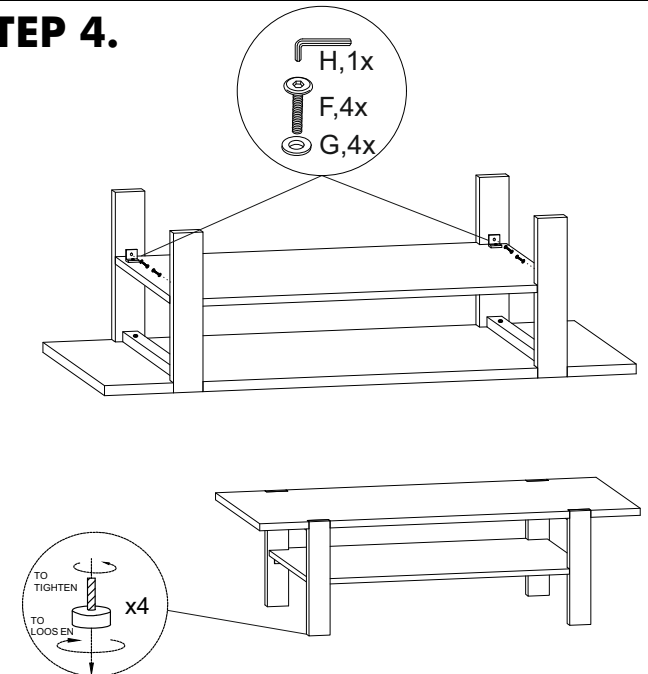
STEP 2.



STEP 3.



STEP 4.



NOTES.

Thank you for purchasing this quality product! Be sure to check all packing material carefully for small part that may have come loose inside the carton shipping.

CAUTION: The item is heavy, assembly should be performed by two people.