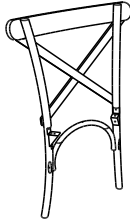



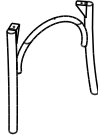






Part List And Hardware List

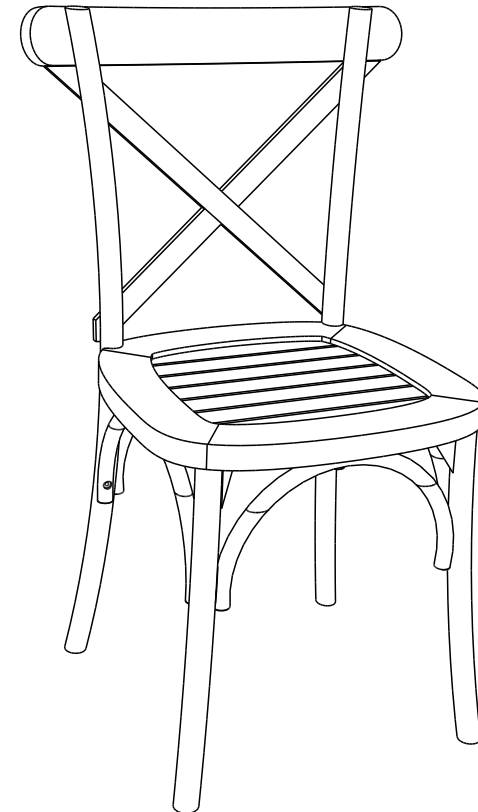
PIECE	DESCRIPTION	PICTURE	QUANTITY
A	Back Rest		1x
B	Seat Frame		1x
C	Foot Connection Right		1x
D	Foot Connection Left		1x
E	Front Leg		1x
①	Coarse Screw	 50 mm	2x
②	Jcbc Screw	 M6 x 40mm	8x
③	Screw	 30mm	4x
④	Allen Key	 M4	1x

JY

JONATHAN Y

MODEL # DNG1000A-SET2

Product Dimension: 20,08"D x 20,08"W x 34,06"H

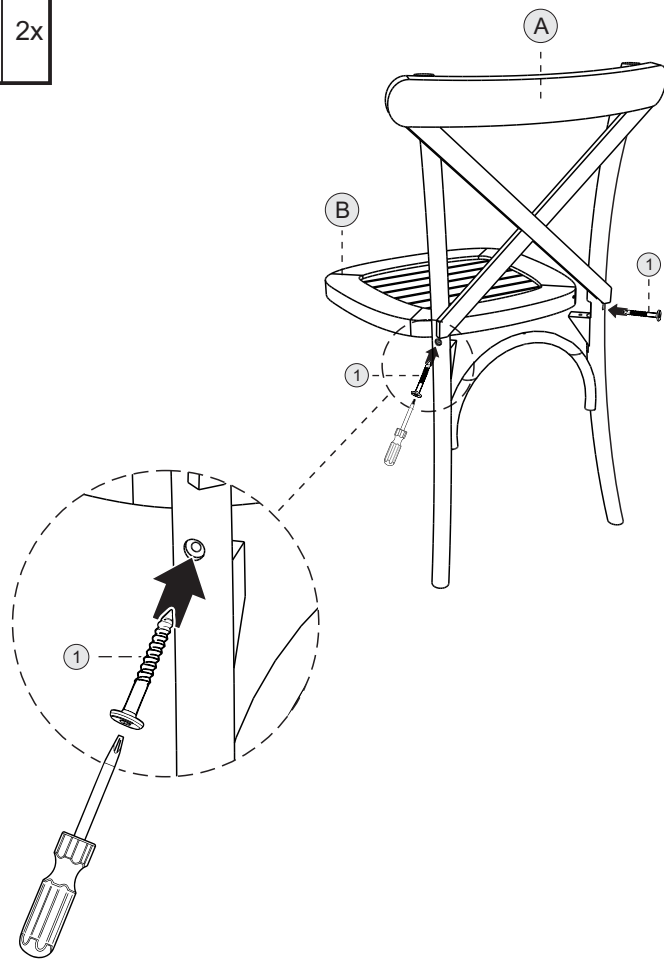




If there are any questions relating to defects, missing parts, assembly issues or replacements, please send a detailed email to cs@jonathany.com.

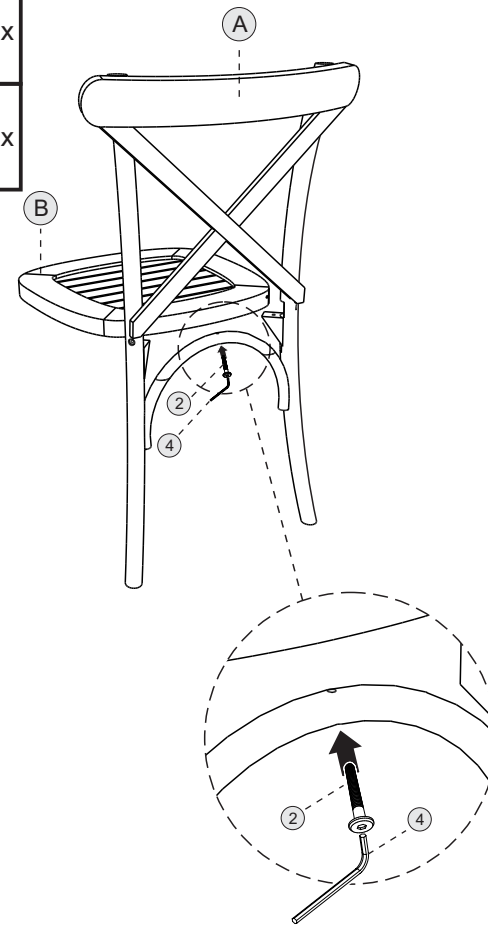
Do not tighten every single screw until all screws are fitted into all holes, so that all screws fitted can be tightened together

1



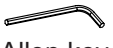
1		2x
	50 mm	

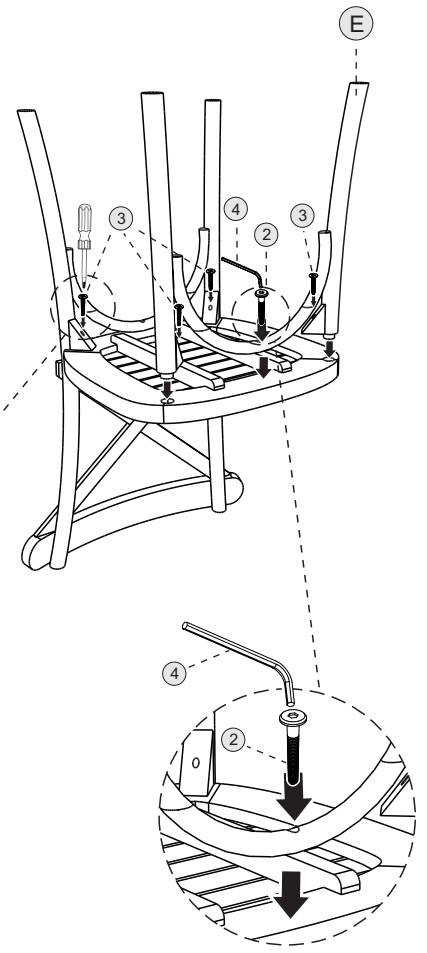
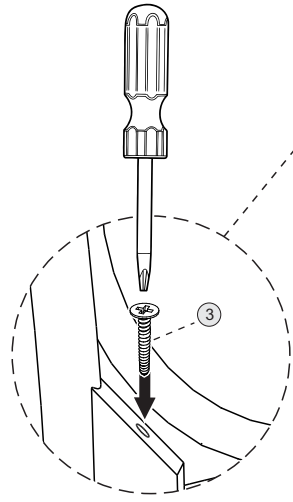
**2**

2		1x
	M6 x 40mm	
4		1x
	Allen key	

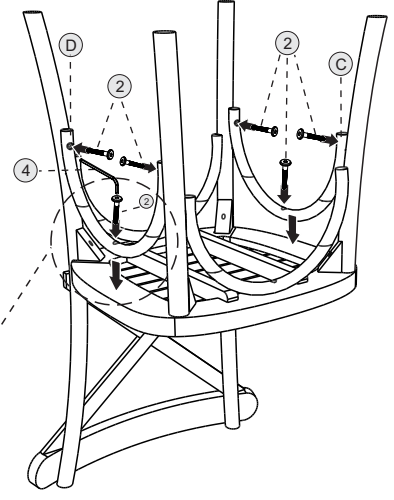
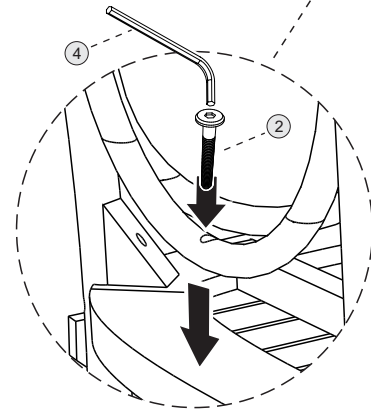


3

2		1x
3		4x
4		1x

**4**

2		6x
4		1x



5

