

CARE AND MAINTENANCE

Do not use acids or alkaline cleaning agents. Sharp objects will damage and scratch the surface. Wipe the surface with a soft, damp cloth.

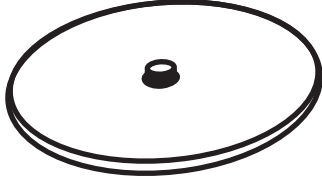
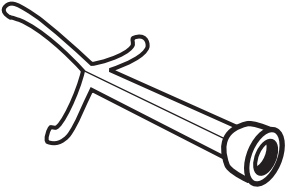
NOTICE

* Please make sure that you have all parts indicated before you begin assembly of this item

* This item should be assembled on a soft surface to prevent scratching the finish during assembly

* This item may require periodic tightening

Part List and Hardware List

	DESCRIPTION	PICTURE	QUANTITY
A	TABLE TOP		1X
B	METAL LEG		1X

(Page 2 of 4)

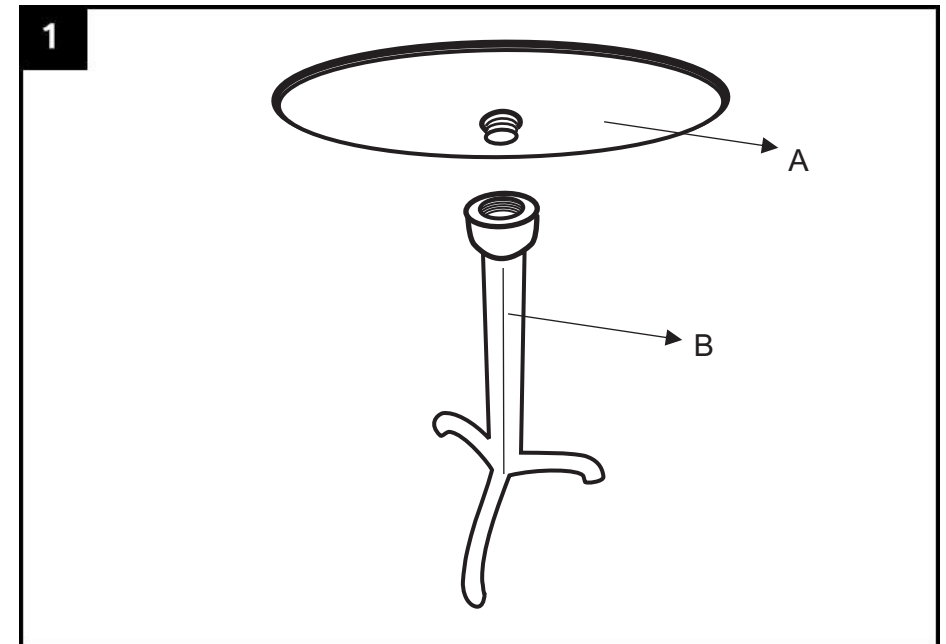
PREPARATION

Before beginning assembly of product, make sure all parts are present.

Compare parts with package contents list and hardware contents list.

If any part is missing or damaged, do not attempt to assemble the product.

Estimated Assembly Time: 10 minutes.



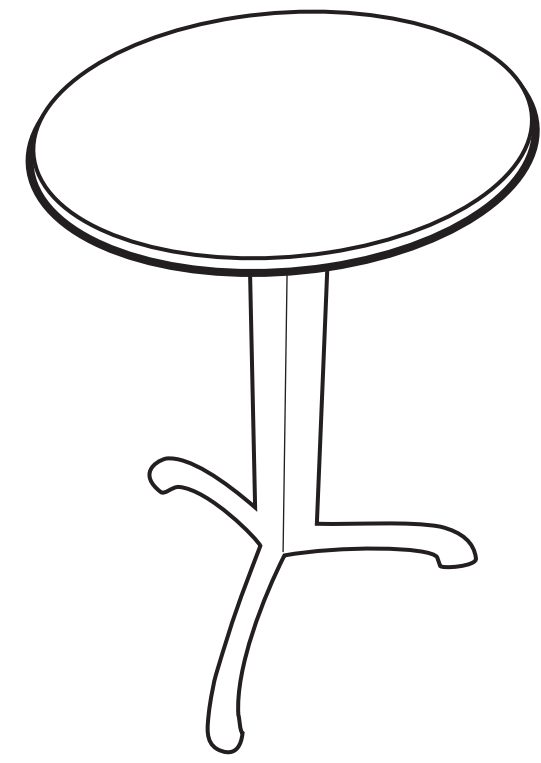
Step 1

The top (A) put on the hole of leg (B)

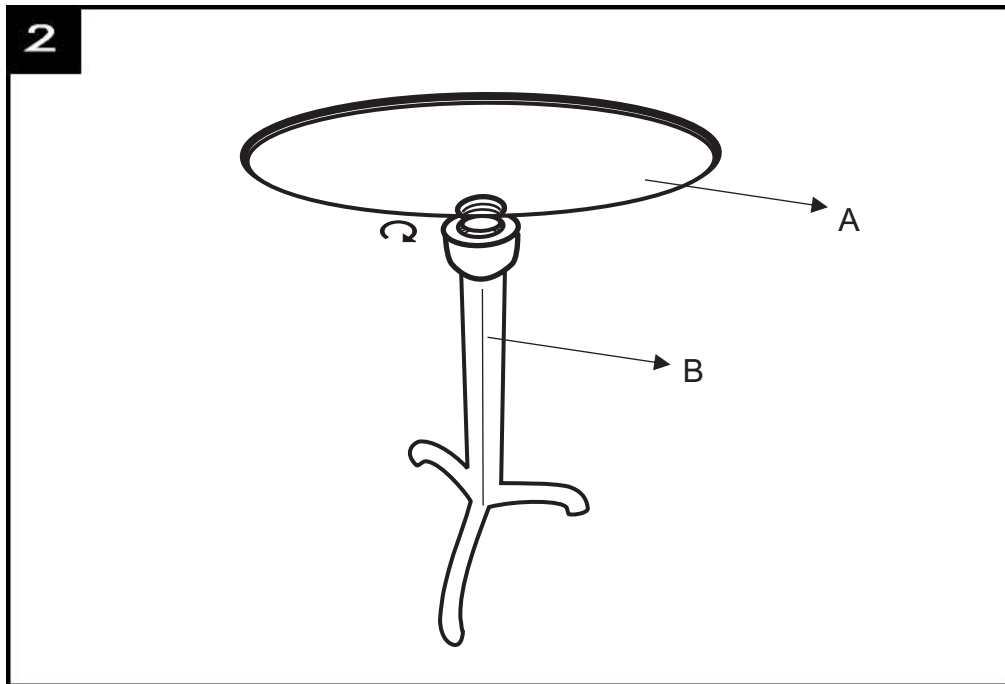
(Page 3 of 4)

MODEL # FOX3220A

Product Dimensions : 20.25" X 20.25" X 16"



(Page 1 of 4)



Step 2

Rotate clockwise.

(Page 4 of 4)