

Features

- Required for surface mounting of Verdera medicine cabinets.
- Includes two side mirrors and all hardware.

Material

- Mirrored glass construction.

Installation

- Includes all hardware.

Recommended Products/Accessories

K-99000 Medicine Cabinet
K-99001 Medicine Cabinet
K-99002 Medicine Cabinet
K-99003 Medicine Cabinet
K-99006 Medicine Cabinet
K-99007 Medicine Cabinet
K-99008 Medicine Cabinet
K-99009 Medicine Cabinet
K-99010 Medicine Cabinet
K-99011 Medicine Cabinet
K-99005-L Medicine Cabinet
K-99005-R Medicine Cabinet

Included Components

Additional Components:

Hardware
Side mirror (Qty 2)

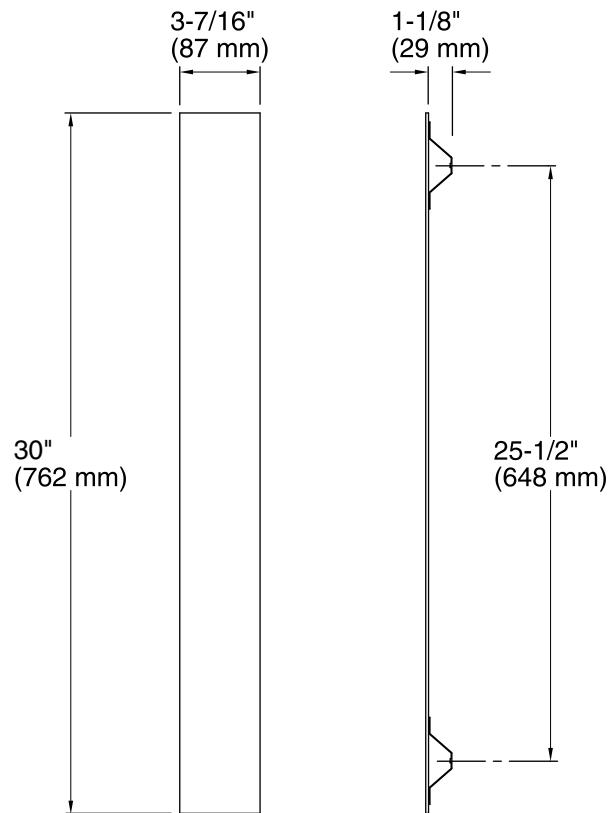


Codes/Standards

None Applicable

KOHLER® One-Year Limited Warranty

See website for detailed warranty information.



Technical Information

All product dimensions are nominal.

Notes

Install this product according to the installation guide.