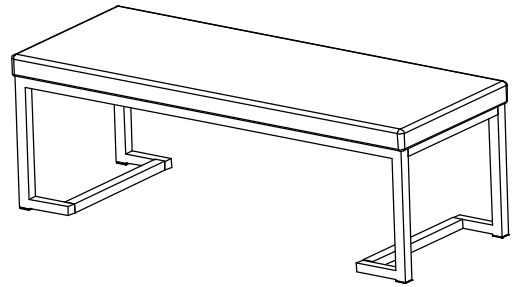
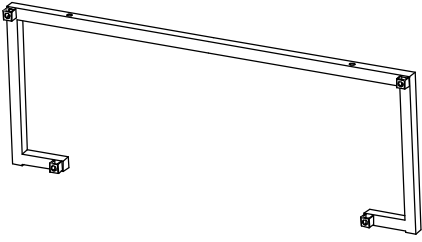
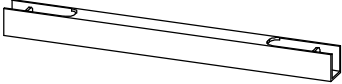
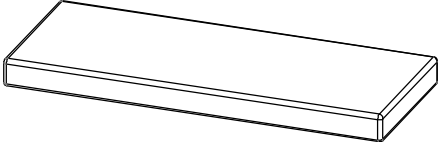
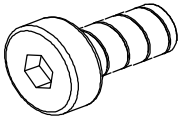
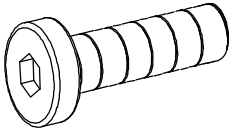
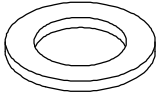
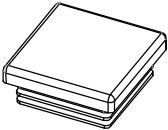
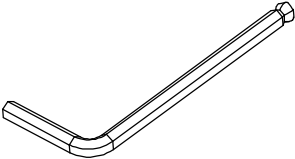


ITEM NO. 96595 LONG BENCH

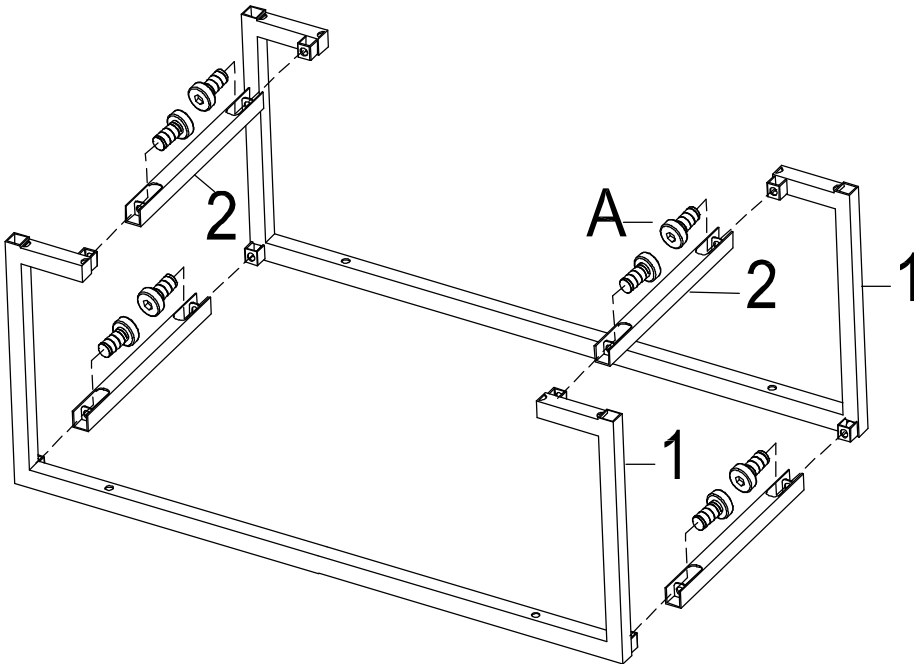


ASSEMBLY INSTRUCTIONS

1	2	3
 <p data-bbox="204 913 406 987">SIDE FRAME 2PCS</p>	 <p data-bbox="699 913 895 987">STRETCHER 4PCS</p>	 <p data-bbox="1217 913 1366 987">CUSHION 1PC</p>
<p data-bbox="292 1003 319 1032">A</p>	<p data-bbox="786 1003 813 1032">B</p>	<p data-bbox="1281 1003 1308 1032">C</p>
 <p data-bbox="185 1375 424 1449">BOLT 1/4"X5/8" 8PCS</p>	 <p data-bbox="663 1375 930 1449">BOLT 1/4"X1-5/8" 4PCS</p>	 <p data-bbox="1217 1375 1366 1449">WASHER 4PCS</p>
<p data-bbox="292 1462 319 1491">D</p>	<p data-bbox="786 1462 813 1491">E</p>	
 <p data-bbox="220 1794 391 1868">FOOT CAP 4PCS</p>	 <p data-bbox="703 1794 890 1868">ALLEN KEY 1PC</p>	

***** Do not tighten screws & bolts until the entire unit is completely assembled. *****

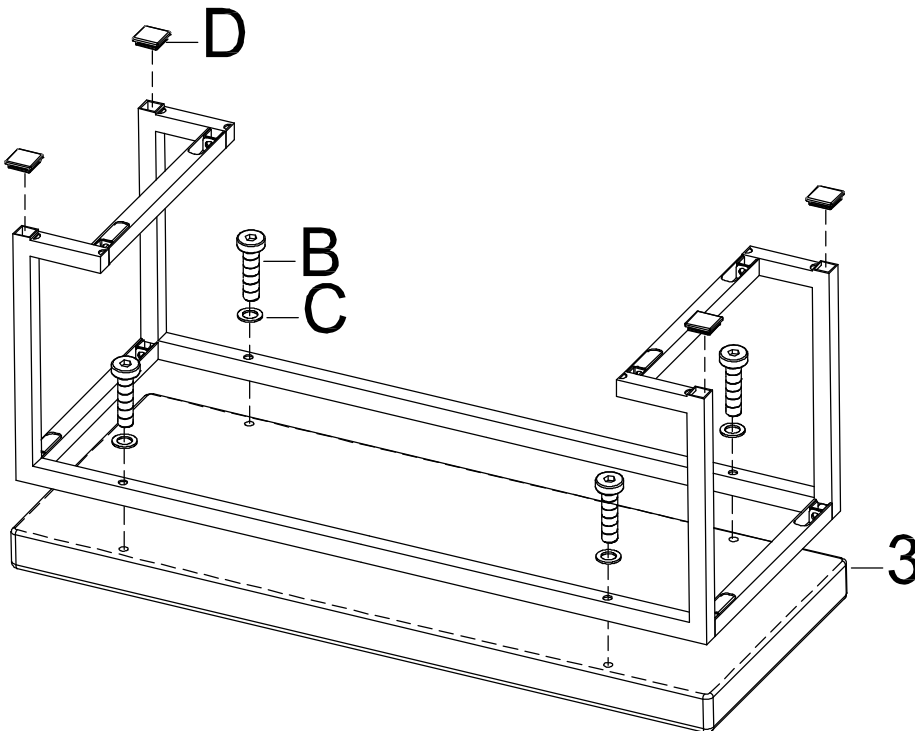
STEP 1



*Please put all parts on a soft surface to prevent scratches.

Attach stretcher (2) to side frame (1) by using bolt (A) as shown.

STEP 2



Attach metal frame unit to cushion (3) by using bolt (B) and washer (C) as shown and then insert foot cap (D) into the end of side frame.

Tighten all bolts firmly and turn the bench upright.

Your long bench is now complete.