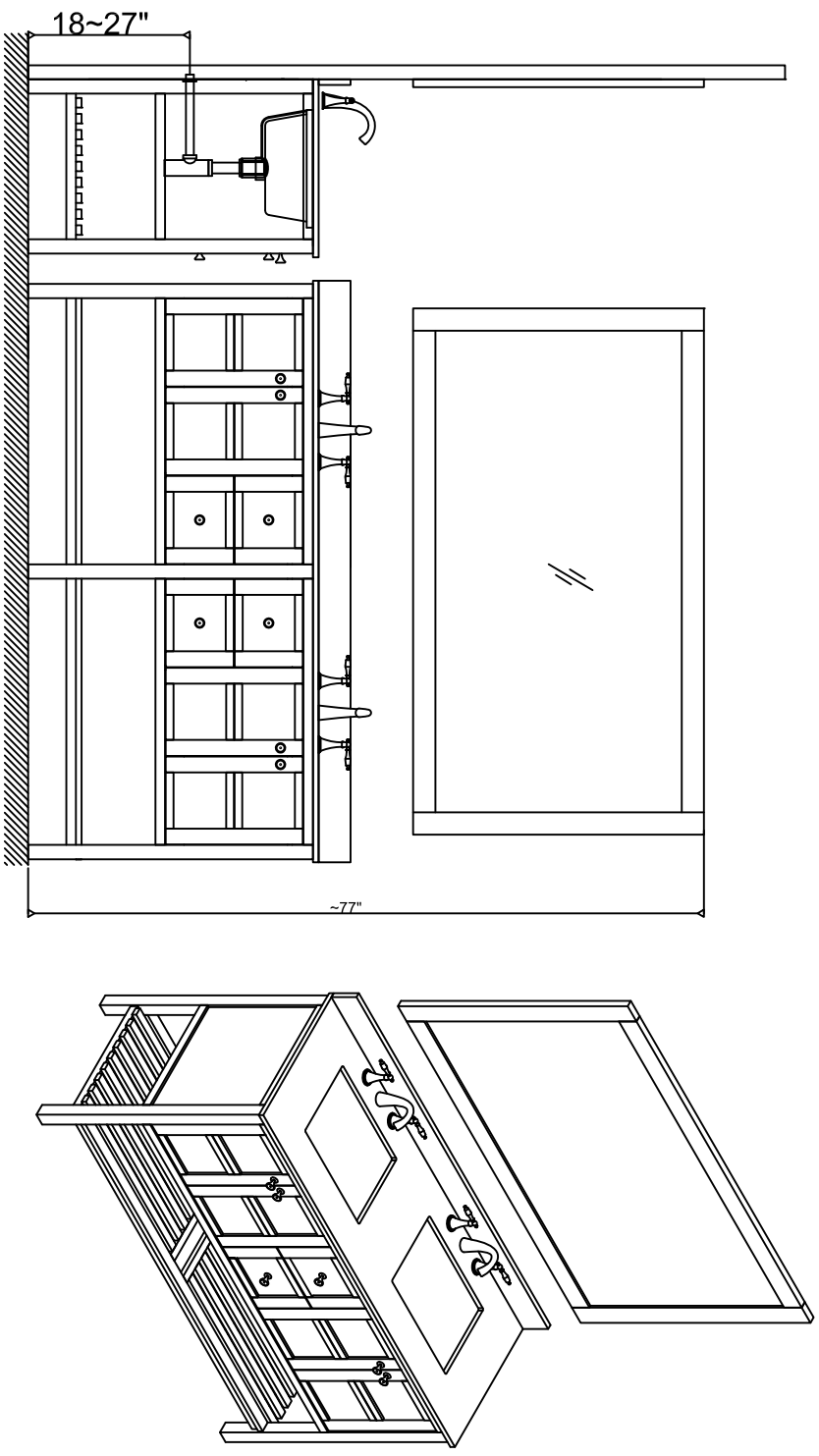
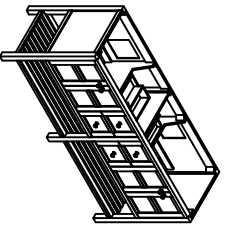


**SKU : ED30072**
**SIZE:1828x560x910**
**PROHIBIT COPY**

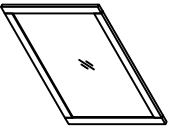
. Prior to installation please check received items against the Packing List Please report any missing items to your local dealer immediately.  
 . Protect all surfaces from sharp objects, high heat sources, direct prolonged sunlight and chemical hazards.  
 . Professional installation recommended.


**PACKING LIST**

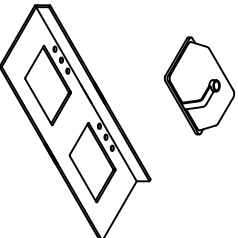
1. Main cabinet



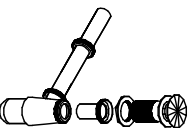
2. Mirror



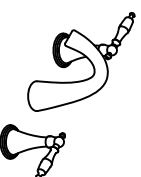
3. Basin



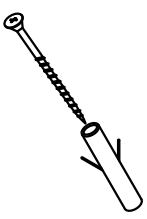
4. Pop up+Drain pipe



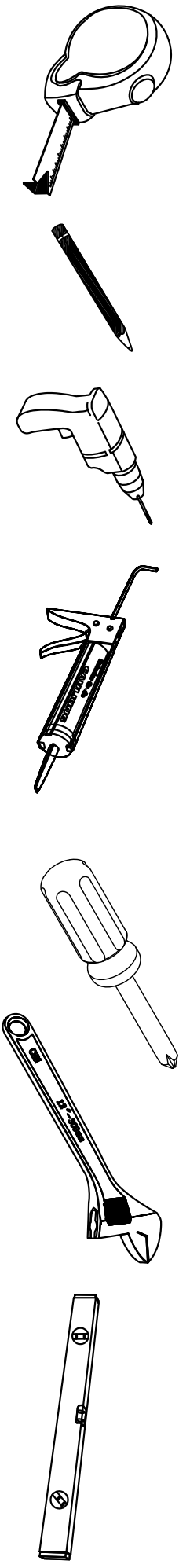
5. Faucet



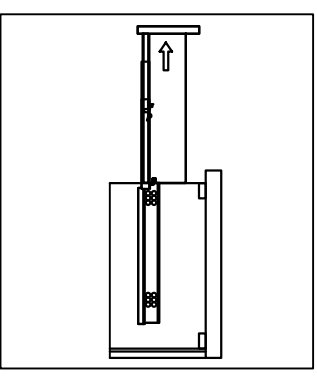
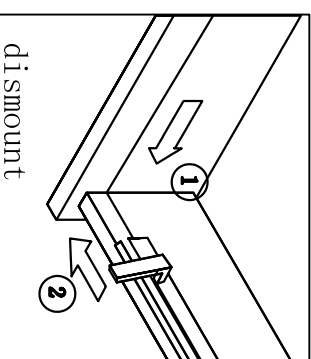
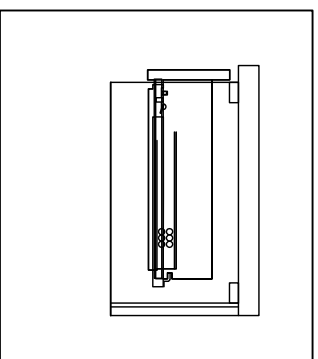
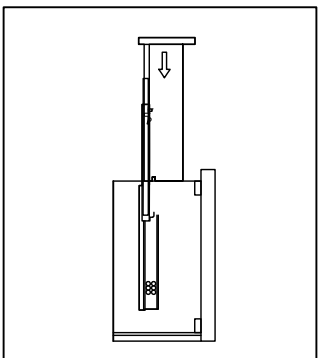
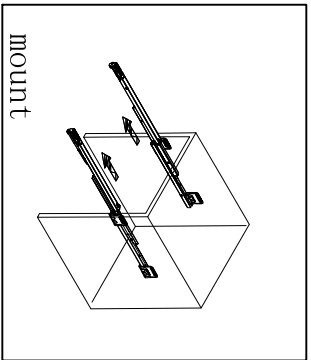
6. Install screw



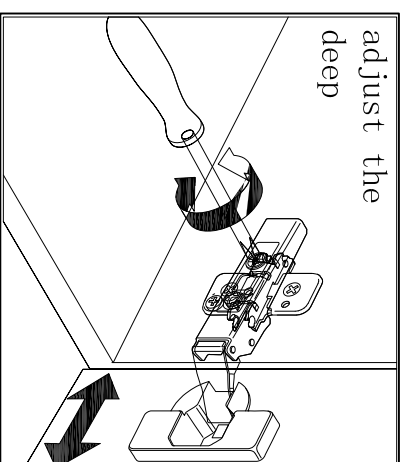
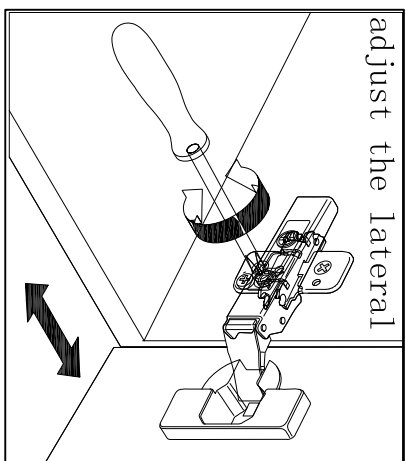
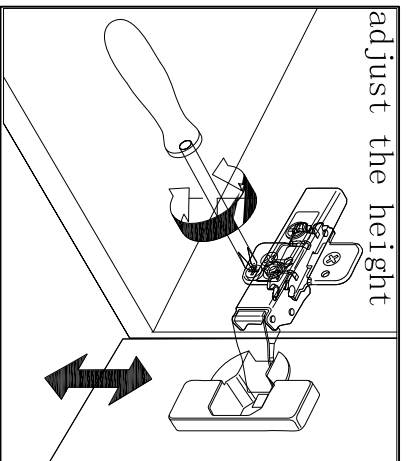
**REQUIRED TOOLS**



**DRAWER SLIDER ATTACHMENT AND DETACHMENT**



**INSTALLATION AND ADJUSTION OF HINGE**



**SKU : ED30072**
**SIZE:1828x560x910**
**PROHIBIT COPY**
