



SEATCRAFT  
**ORLEANS**  
WITH POWER RECLINE

Home Theater Seating

---

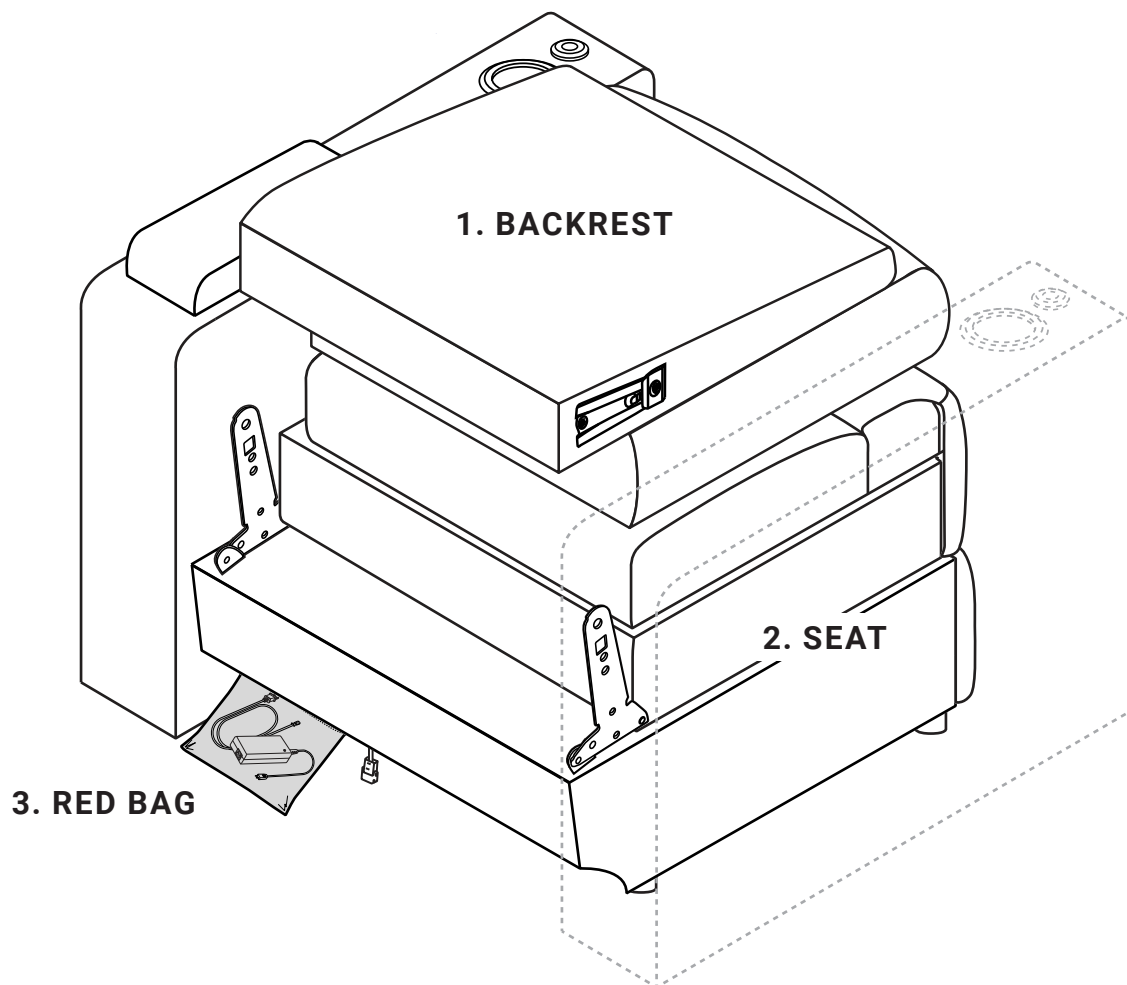
**ASSEMBLY & GENERAL USE GUIDE**

# Table of Contents

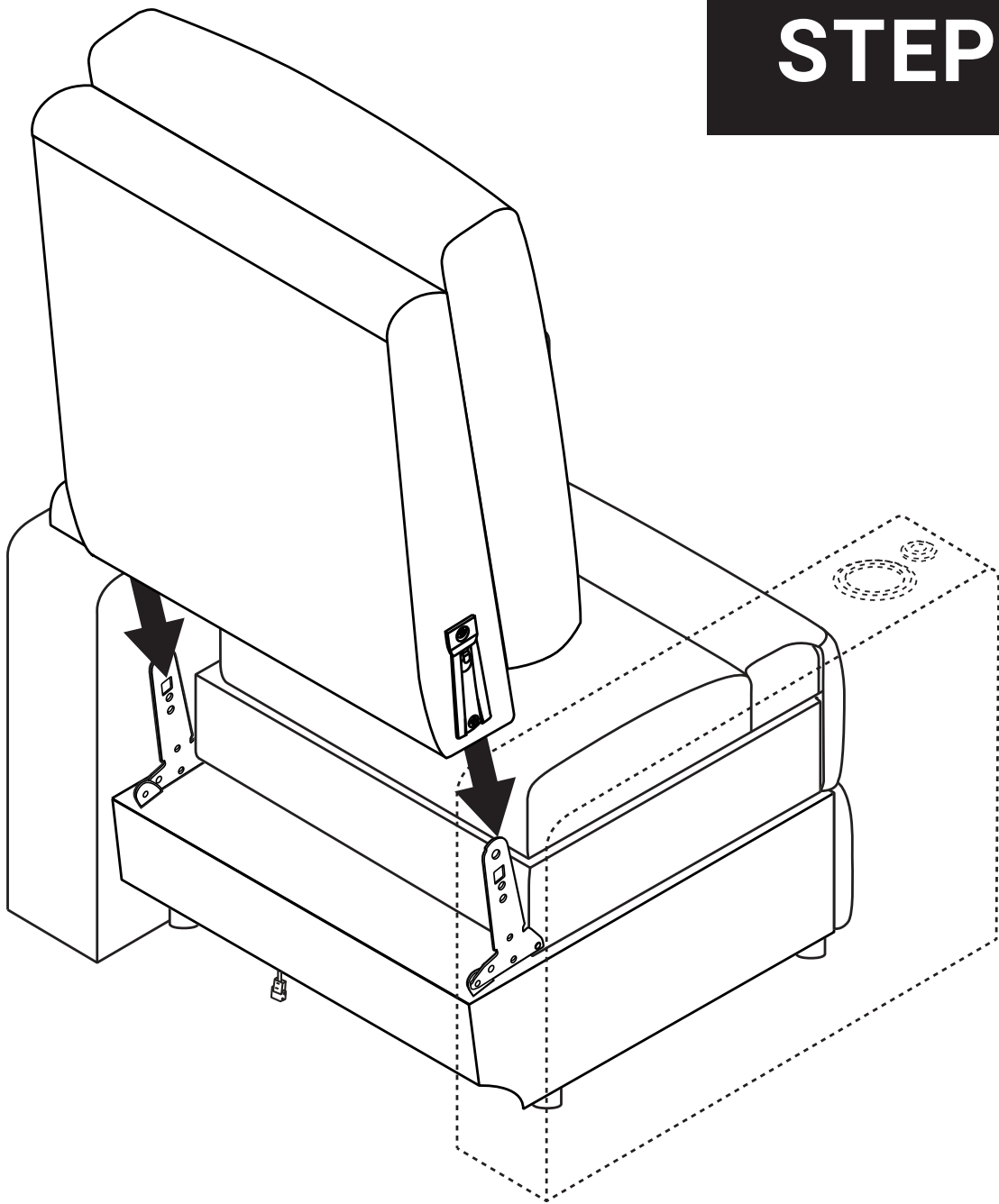
What's Inside the Box	2
Step 1: Attach the Backrest to the Seat Base	3
Step 2: Connect the Power Cable	4
Step 3: Attach the Tray Table	5
Using the Power Control Panel	6
Troubleshooting Guide	7-8
Seat Part List	9
Warranty Info & Contact Information	10

# What's Inside the Box

- 1. BACKREST**
- 2. SEAT**
- 3. RED BAG** (Includes: Power Adapter & Power Adapter Cable)



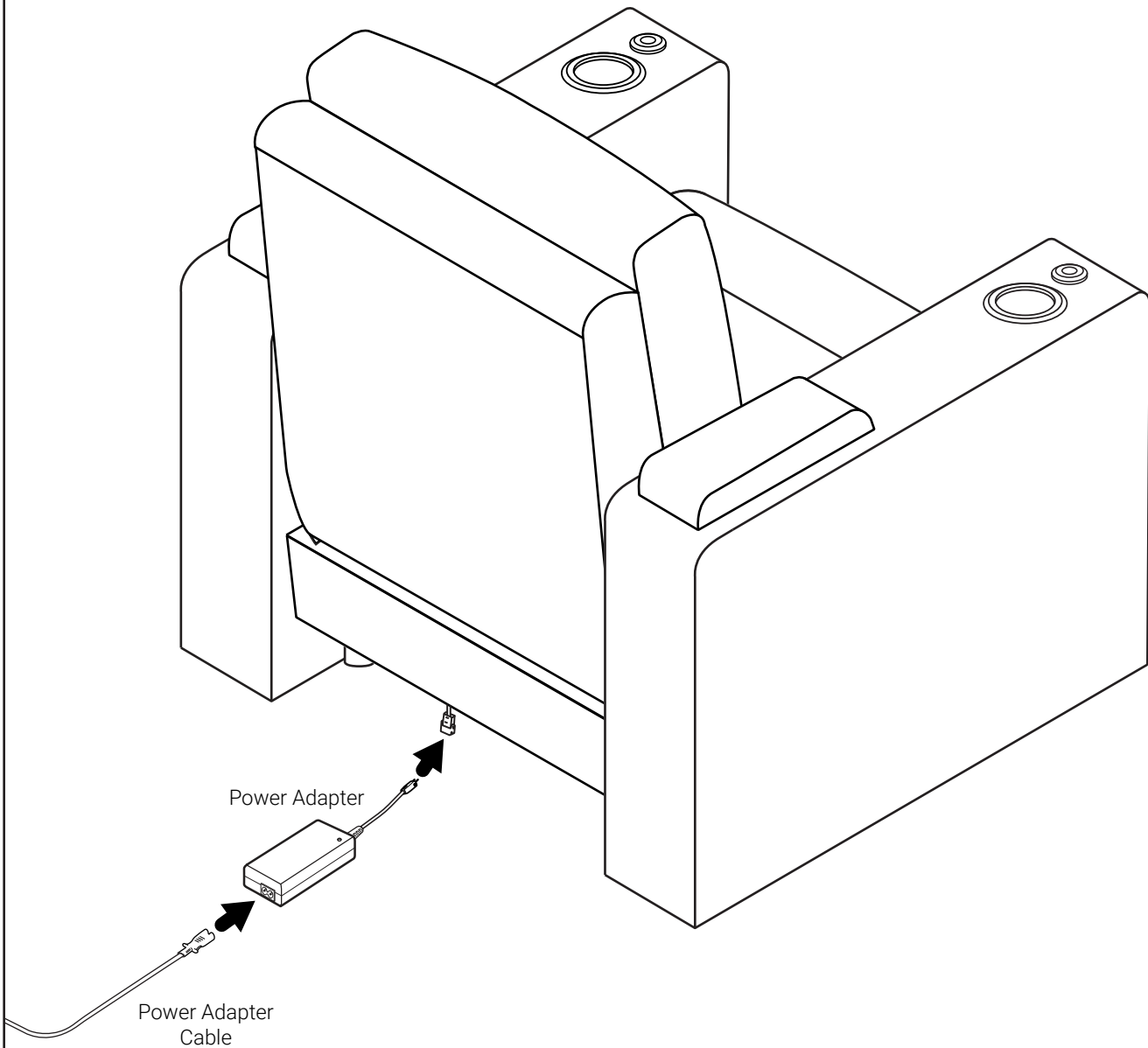
# STEP 1



## Attach the Backrest to the Seat Base

Slide the Backrest Female Brackets onto the Backrest Male Brackets.  
Push until you hear a click on both sides. This will indicate that the backrest is secured.

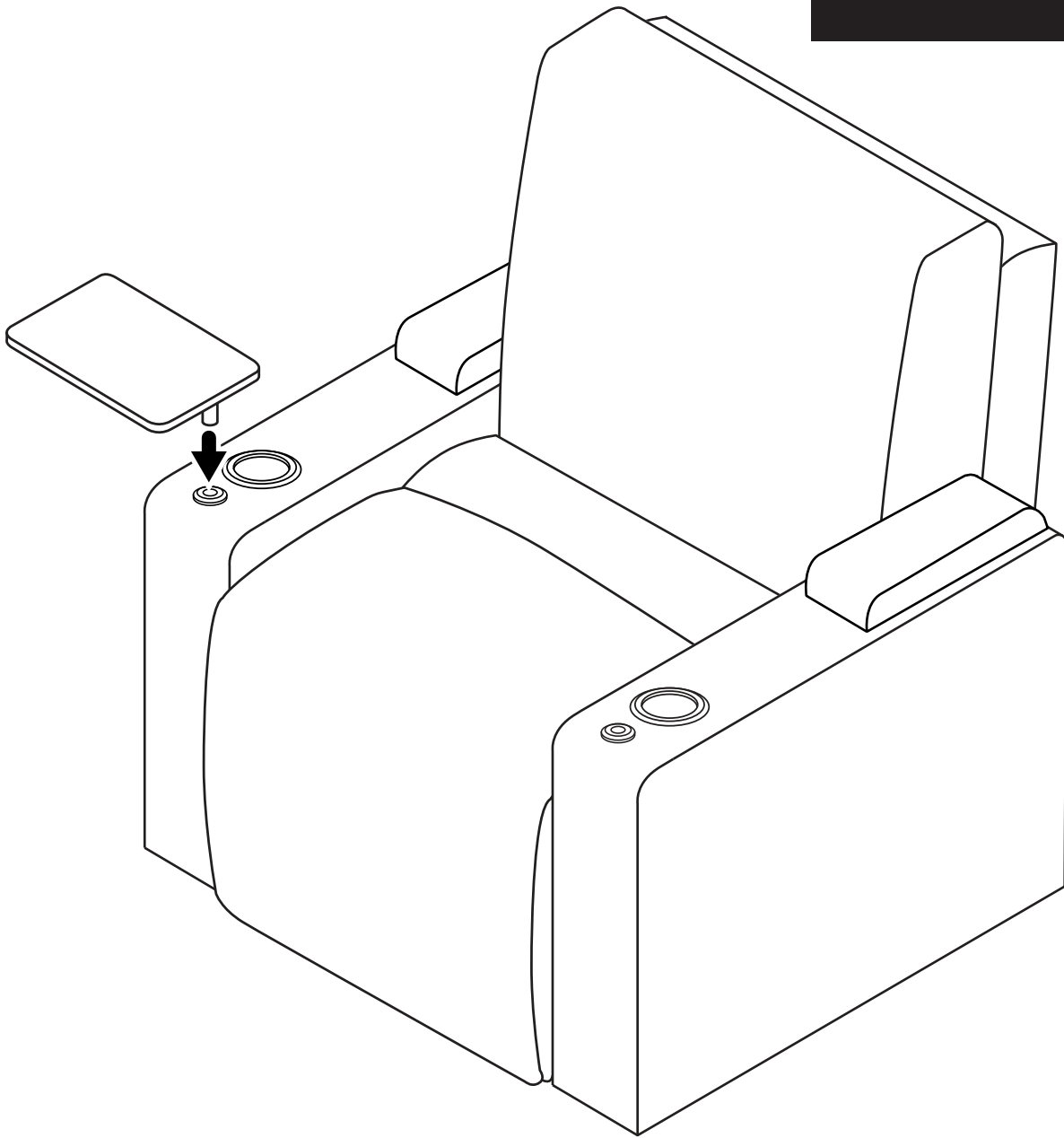
# STEP 2



## Connect the Power Cable

Plug the Power Adapter Cable into the Power Adapter. Connect the Power Adapter to the Power Recline Cable. Lock the two cables together.

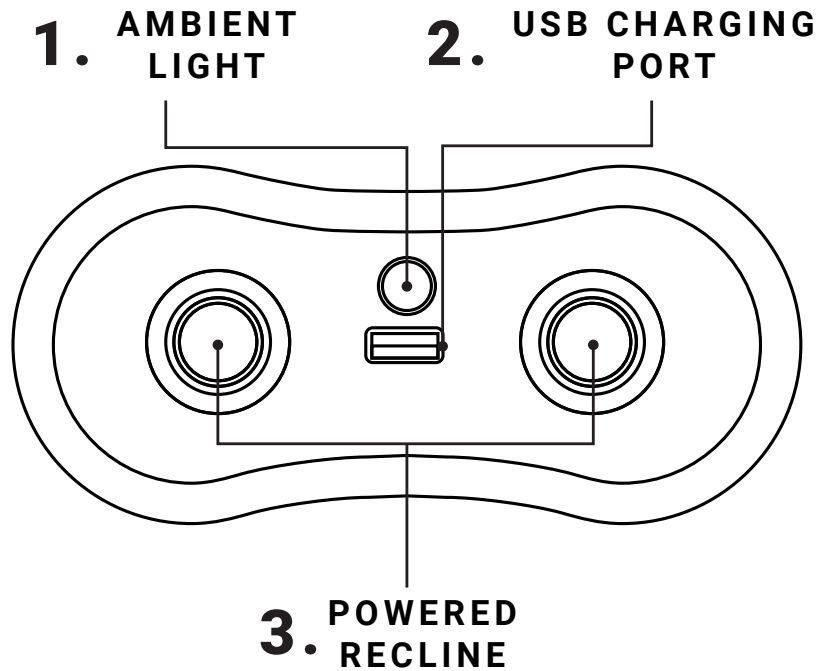
# STEP 3



## Attach the Tray Table

Open the in-arm storage to find your Tray Table. Place the Tray Table into the accessory mount.

# Using the Power Control Panel



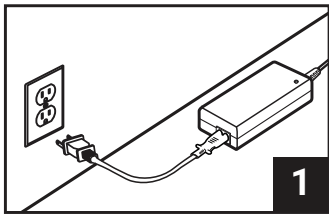
- 1. AMBIENT LIGHT CONTROL**  
Push to turn the ambient base lighting and the lighted cupholders on or off.
- 2. USB CHARGING PORT**  
Plug in any USB-powered device to charge it.
- 3. POWERED RECLINE**  
Push to set the powered recline to your preferred position.

# Troubleshooting Guide

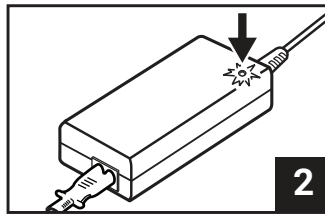
**Q. Why isn't my chair reclining?**

---

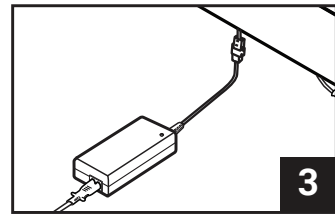
**A. The Power Adapter has become loose or disconnected.**



Unplug and re-plug in the Power Adapter to a wall outlet.



The green light on the Power Adapter should be illuminated.

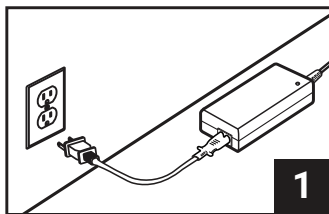


Unplug and re-plug in the Power Adapter to the Powered Recline Cable.

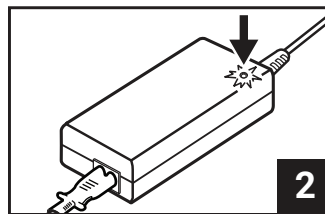
**Q. How come the lights on my cupholder or seat base are not lighting up?**

---

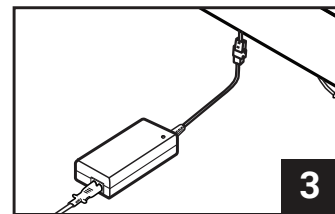
**A. The Power Adapter has become loose or disconnected.**



Unplug and re-plug in the Power Adapter to a wall outlet.



The green light on the Power Adapter should be illuminated.



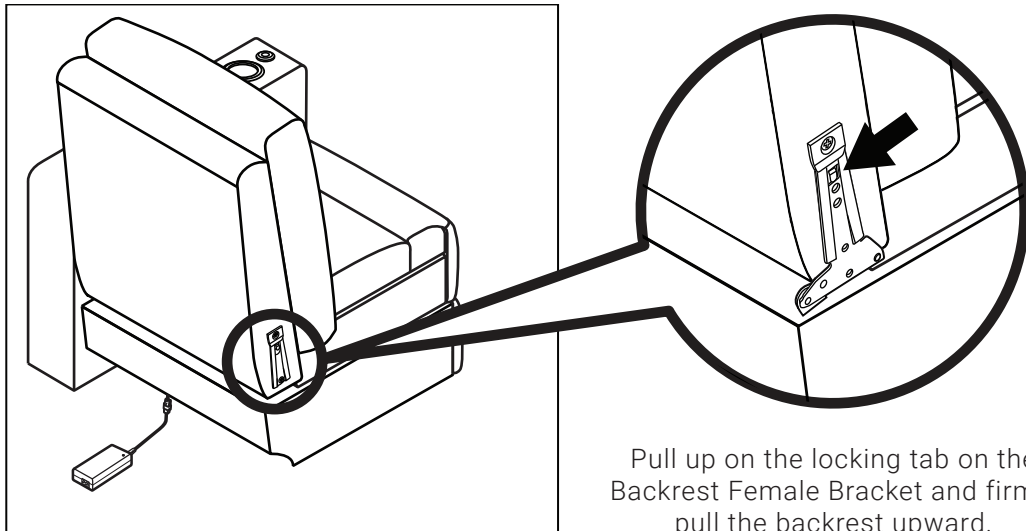
Unplug and re-plug in the Power Adapter to the Powered Recline Cable.

# Troubleshooting Guide

**Q.** How do I remove the backrest from the seat base?

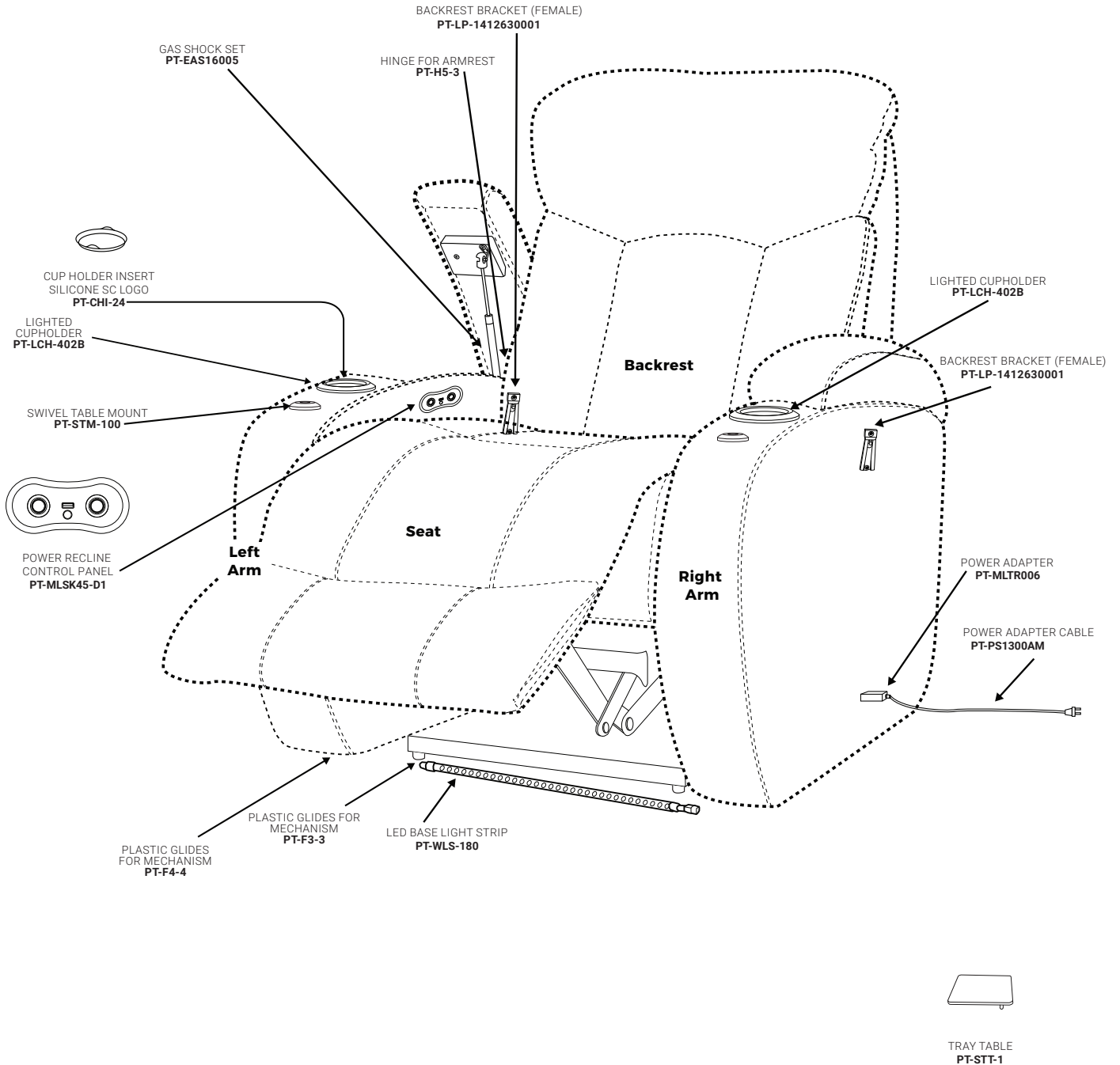
---

**A.** The Backrest Female Bracket has a locking tab.



# Seatcraft Orleans with Power Recline

2177-E



Recline Mechanism - Power	PT-L&P 6022-2
Recliner Motor	PT-ML8-226

# Warranty Information

Seatcraft is proud of its high standards of quality and workmanship that go into our products. The customer is protected by the following Limited Warranty, which applies to seats under normal indoor residential use. This warranty does not apply to seats used for commercial, institutional, or other non-residential uses.

**ONE YEAR LIMITED WARRANTY:** Seatcraft provides (1) one year comprehensive coverage for all components such as materials, foam and frame parts, and mechanisms including motorized parts from defective materials or workmanship.

**MATERIAL:** Normal fabric fading, shrinking, or stretching is not covered by this warranty. Similarly, the natural markings, stretching, and shrinking of leather is a proud mark of authenticity and therefore not covered by this warranty. Evidence of improper cleaning, abuse, or abnormal use of the materials will void this warranty.

**FOAM AND FRAME PARTS:** Seatcraft warrants these components for (1) one year from the time of delivery, against manufacturing defects. Foam compression is natural, and therefore not covered by this warranty.

**MECHANISMS:** Seatcraft warrants these components for (1) one year from the time of delivery, against manufacturing defects. After the warranty period, the customer is responsible for inspection, labor and transportation costs.

No warranties, express or implied, apply after the expiration of this Limited Warranty. The warranty period covers repair, substitution, and replacement. No returns or refunds are covered. A proof of purchase is required to service a claim; simply present the bill of sale to the dealer from whom the item was purchased, to request warranty service. Seatcraft is not liable for incidental or consequential damages occurring outside the terms of this warranty, even if advance knowledge of such damages was possible.

## Contact Information

We're here to help. For any missing or damaged parts or installation assistance please call us at 1-855-244-0170.

### **HOURS**

Mon-Fri	6AM - 7PM PST
Sat	9AM - 5PM PST
Sun	10AM - 5PM PST