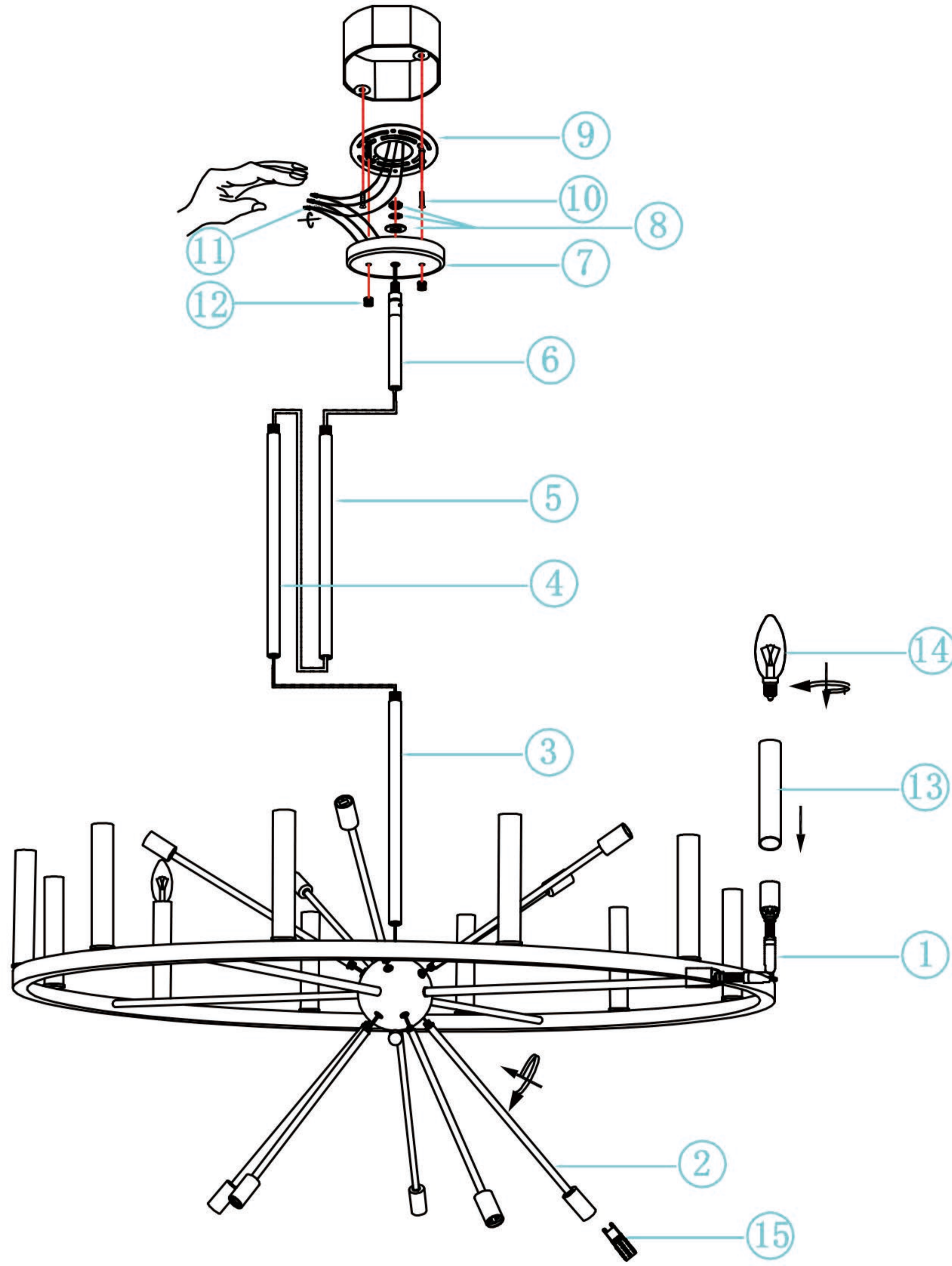


ITEM NO.:SJS90922

FIXTURE ASSEMBLY STEPS:



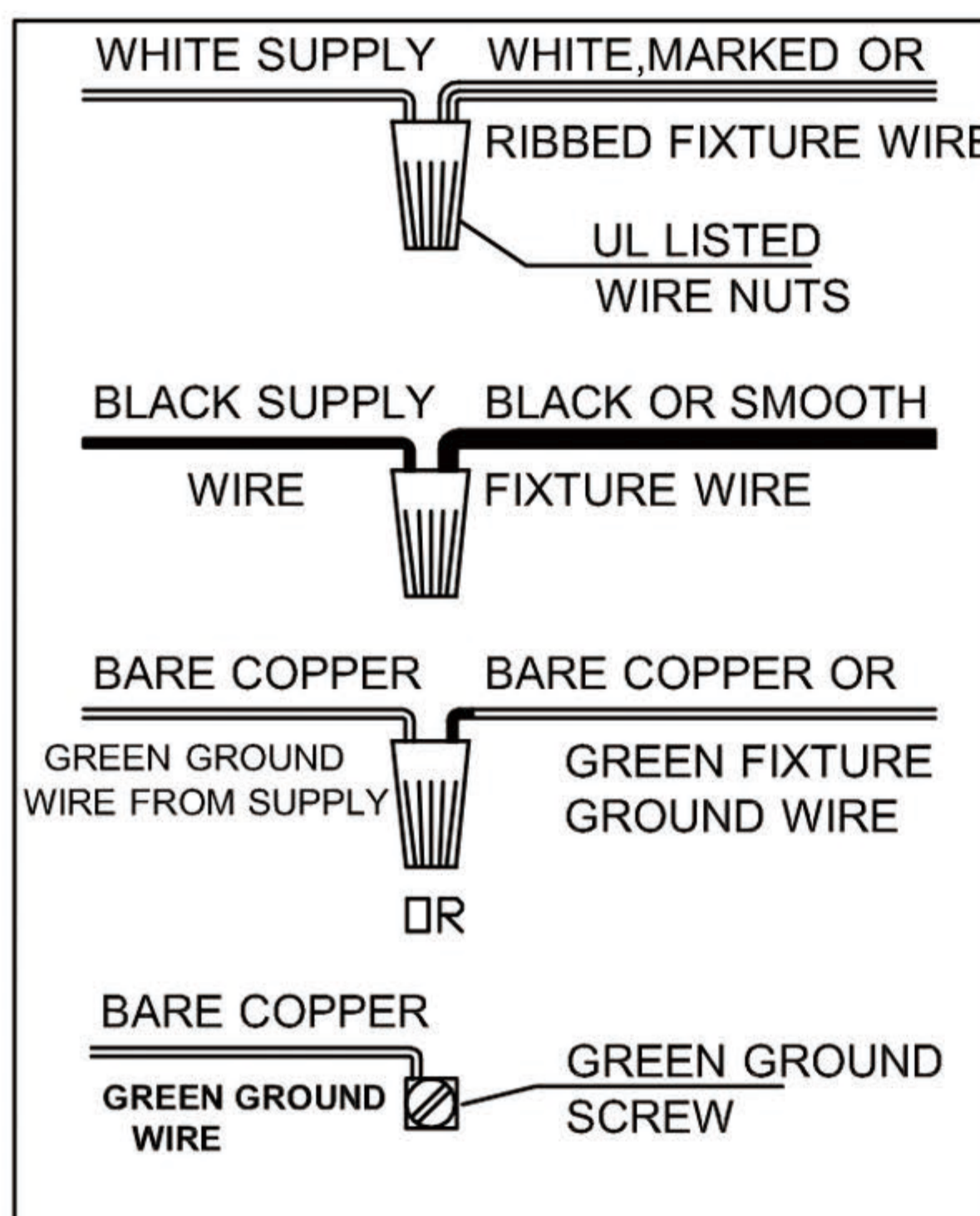
Note: Please use G9LED bulbs!
This light is more complicated, it is recommended to ask a professional electrician to install it!

DESCRIPTION	PICTURE	CODE	QTY
Mounting Plate with +Screws+Canopy Nut		9 / 12	1 SET
Mounting Box Screw		10	2 PCS
P3 Wiring Cap		11	3 PCS
Canopy		7	1 PCS
Lamp holder casing		13	12 PCS
Derrick Part (B#)		6 / 8	1 SET
Lamp body center tube		3 / 4 / 5	3 PCS
G9 4W LED bulbs		15	10 PCS
Lamp Body		1 / 2	1 SET

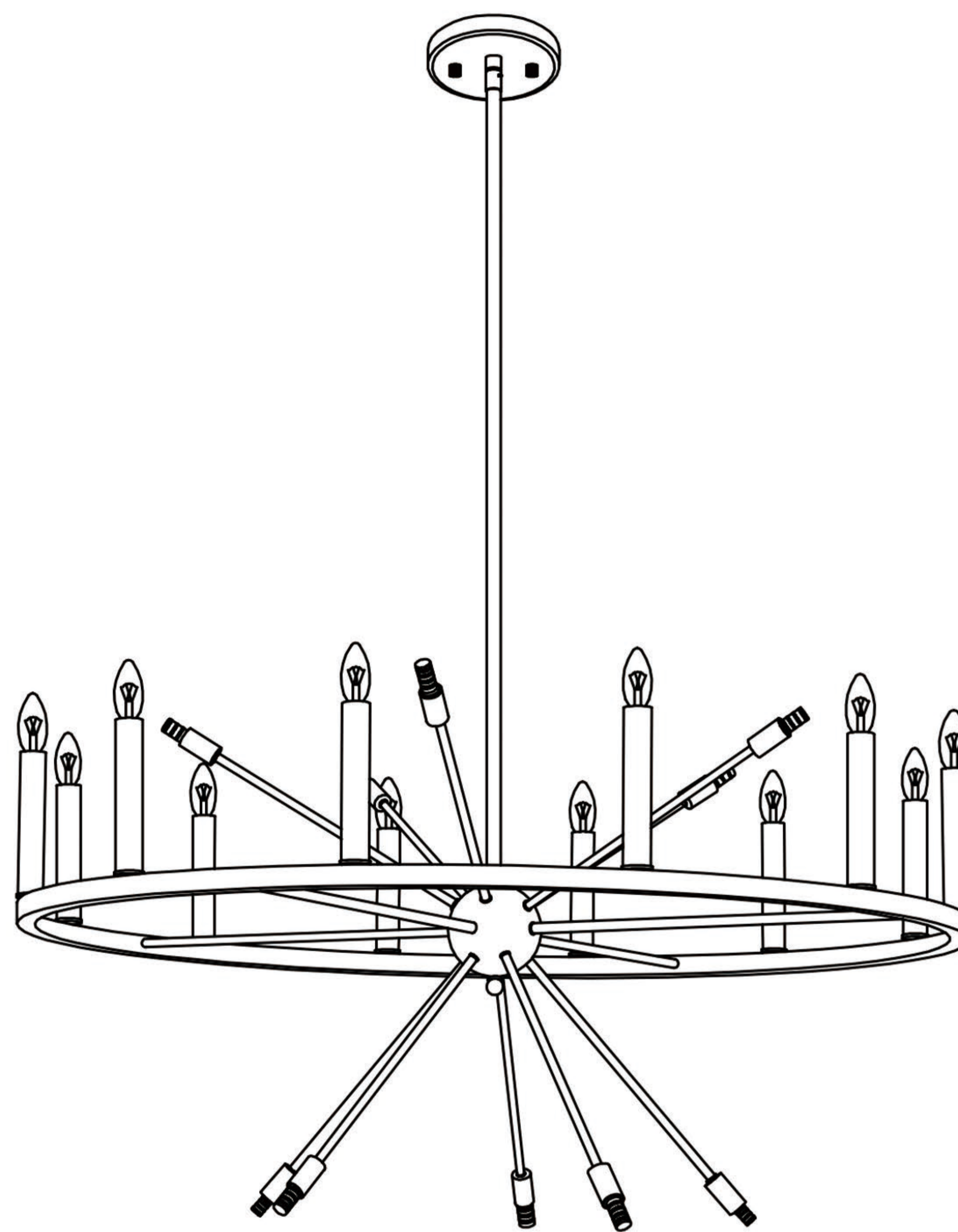
WARNING - if any Special Control Devices are used with this Fixture,Follow the instructions Carefully to assure fun compliance With N.E.C. requirements. if there are any questions, contact a Qualified Electrical Contractor.
 CAUTION - All glass is fragile,use care when handling Glass component(s) and or Lamp(s).
 WARNING - This product contains chemicals known to the State of California to cause cancer, birth defects and /or other reproductive harm. Thoroughly wash hands after installing. handling. cleaning,or otherwise touching this product

CANOPY MOUNTING & WIRE CONNECTION ASSEMBLY STEPS:

Attach(N),(P) to achieve overall desired length.
 Una (N),(P)para lograr la longitud deseada.
 Joignez(N),(P)pour obtenir la Longueur voulue.



FIXTURE ASSEMBLY STEPS:



110-120V / 60Hz
 E12 12*MAX 60W TYPE B
 G9 10*MAX*4W LED

Note: Please use G9 4W LED bulbs!
 (Do not contain light bulb)

ITEM NO.: SJS90922

1. AC110~120V,50~60Hz.The Max lamps power is 60W TYPE B+4W LED Bulb.
2. Avoid to scratch the surface of lighting and the wires when install it.
3. Printed on the wire : SPT-1/20288 or SPT-2 and other parameters of the line for the positive pole (Connect "L"), The wire without mark is the negative pole (Connect "N"), Ground cables are connected to ground cables (Connect "⊕") , (L- L,N-N.⊕-⊕).
4. Don't install it to the ceiling before it's completely dry, thesurrounding around must be ventilated and dry.
5. Keep away from the acid, basicity objects and gases, clean withsoft cloth, water washing is not allowed.
6. Be careful when you install glass lamp shade
7. The lighting must be installed by professional electrician and used indoor only.
8. Please keep attention to cut off the power supply when installing, cleaning, and replacing bulb.