

UNDERCOUNTER SINK

Oval undercounter mount sink
Made from vitreous china
Front overflow

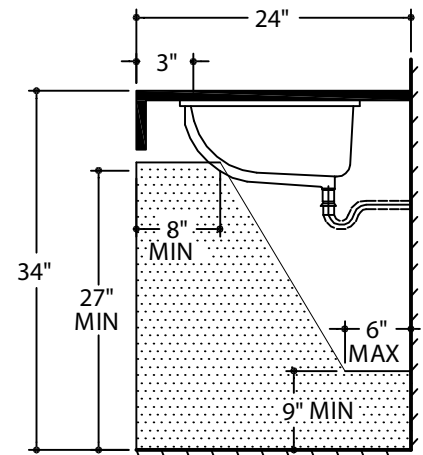
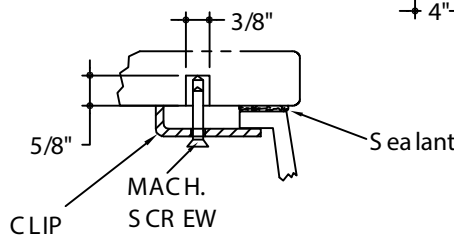
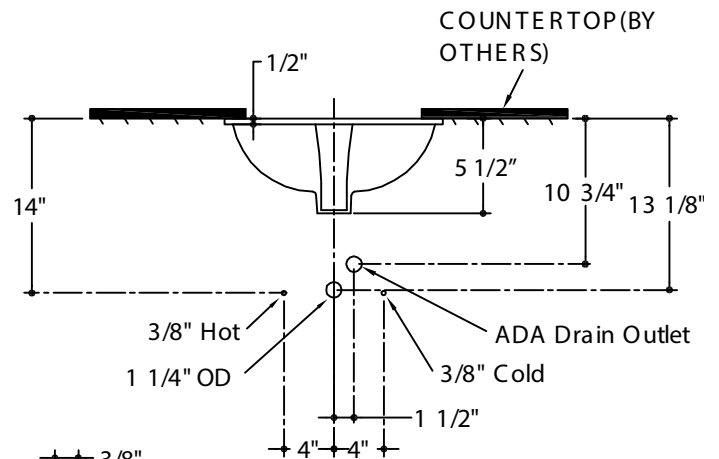
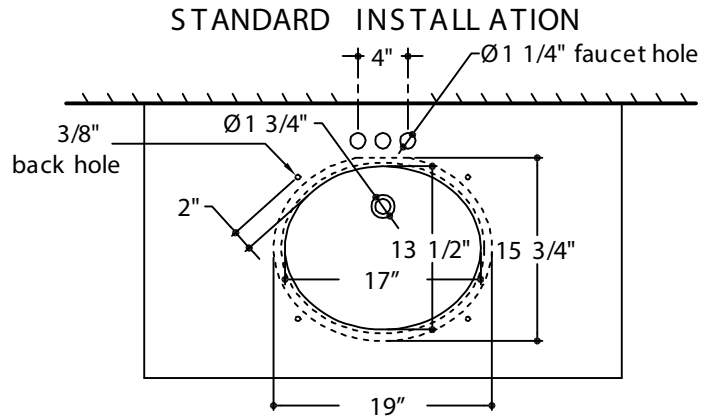
- Unglazed Rim
482x406mm
(19" x 16")
- Glazed underside

Bowl size:

432mm (17") wide
355mm (14") front to back
139mm (5 1/2") deep

**Compliance Certifications -
Meets or Exceeds the
Following Specifications:**

ASME A112.19.2
CSA B45 series
ADA



RECOMMENDED ADA INSTALLATION

NOTES:

WE RECOMMEND USING BASIN AS A TEMPLATE TO DETERMINE PROPER CONTOUR. CUT COUNTERTOP 38MM (1-1/2") INSIDE BASIN CONTOUR. *DIMENSIONS SHOWN FOR LOCATION OF SUPPLIED AND "P" TRAP ARE SUGGESTED.

▼ UNDERCOUNTER MOUNTING KIT OPTIONAL
FITTINGS NOT INCLUDED WITH FIXTURE AND MUST BE ORDERED SEPARATELY.
SEALING COMPOUND SUPPLIED BY OTHERS.