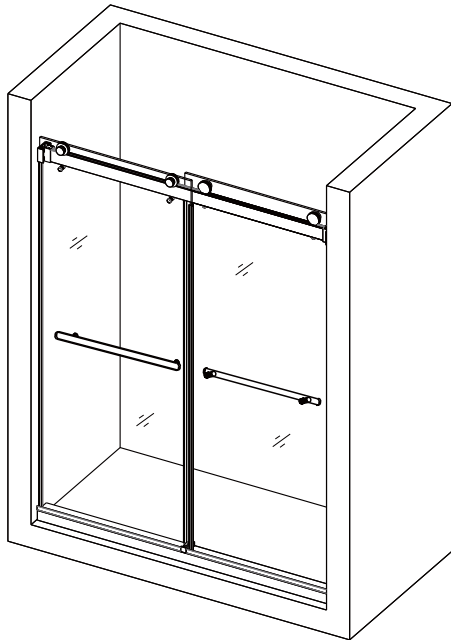


With Anti-Shatter Film

ALTAIR

FASHION BATHROOM LIFE

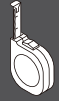
BY-PASS SHOWER SCREEN INSTALLATION INSTRUCTION



SD80960-BP-BN/BG



IMPORTANT-Please read and follow all warnings and instructions before using this product. Injury can result from improper use. Save these documents.



WARNING
Tempered Glass, please don't hit the corners and the surrounding, otherwise the glass will burst.



● General Information

Please inspect the product immediately upon receipt for transit damage, missing packs/parts or manufacturing fault. Damage reported later cannot be accepted. Please handle the product with care avoiding knocks and shock loading to all sides and edges of the glass.

Notes: Safety glass can not be re-worked.

Please read these instructions carefully before start of installation.

Special care should be taken when drilling walls to avoid hidden pipes or electrical cables.

Note: This product is heavy and may require two people to install.

Aftercare instructions

After use, your shower should be cleaned with soap and water. This is particularly important in hard water districts where insoluble lime salts may be deposited and allowed to build up. Cleaners of a gritty or abrasive nature should not be used. Care should be taken to avoid contact with strong chemicals such as organic solvents and strippers.

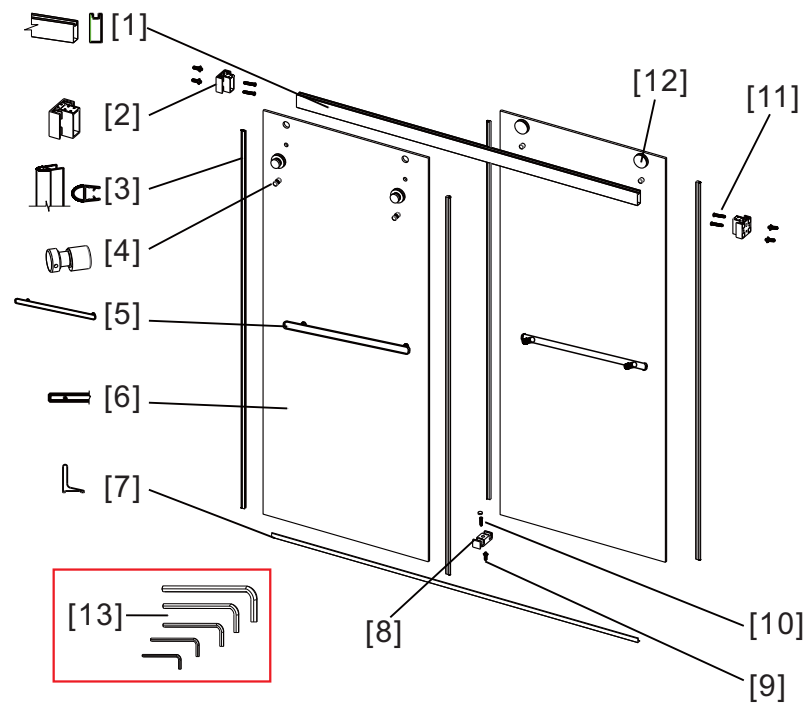
Glass cleaners can be used but with caution, if in doubt contact the manufacturer of the cleaner in question.

Please keep these instructions for aftercare and customer service details.

ALTAIR
FASHION BATHROOM LIFE

www.altairdesignusa.com

Detailed Diagram of shower door components



- | | |
|------------------------------|------------------------------|
| [1] 1X Top Raid | [7] 1X Anti-splash Threshold |
| [2] 2X Guide Rail Bracket | [8] 1X Guide Block |
| [3] 4X Side Anti-Water Strip | [9] 5X Wall Anchor |
| [4] 4X Safety Pin | [10] 1X Screw M4X30 |
| [5] 2X Towel Bar | [11] 4X Screw M5X60 |
| [6] 2X Door Panel | [12] 4X Roller |
| | [13] 5X Allen Key |

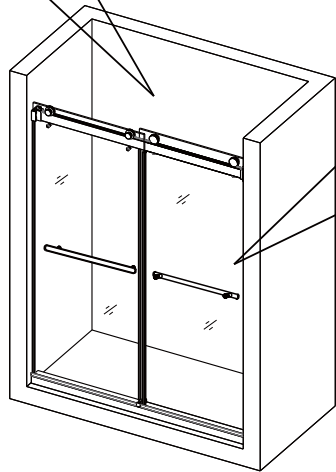
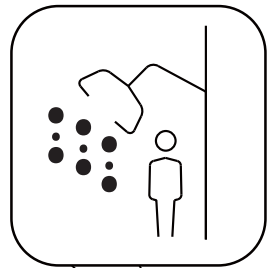
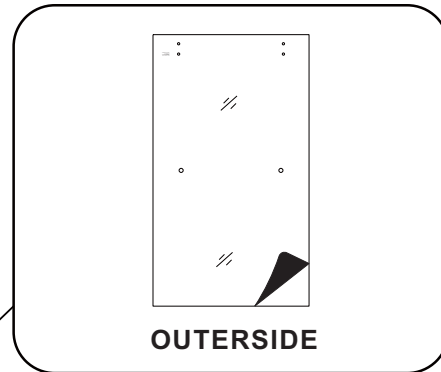
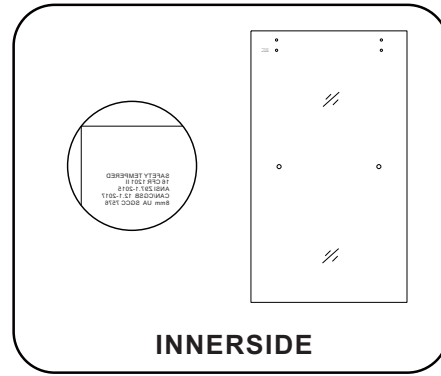
● Parts List:

[1]	1X Top Raid	➔	
[2]	2X Guide Rail Bracket	➔	
[3]	4X Side Anti-Water Strip	➔	
[4]	4X Safety Pin	➔	
[5]	2X Towel Bar	➔	
[6]	2X Door Panel	➔	
[7]	1X Anti-splash Threshold	➔	
[8]	1X Guide Block	➔	
[9]	5X Wall Anchor	➔	
[10]	1X Screw M4X30	➔	
[11]	4X Screw M5X60	➔	
[12]	4X Roller	➔	
[13]	5X Allen Key	➔	

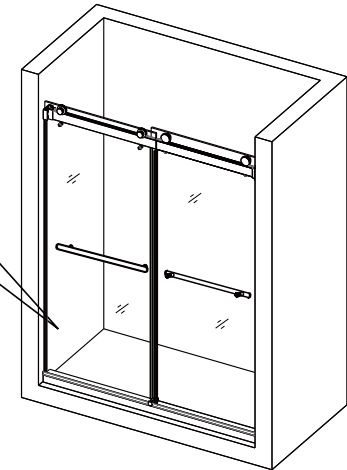
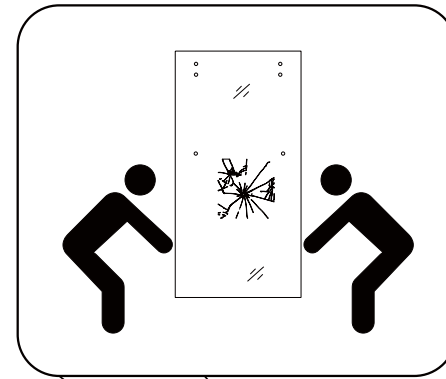
Important Note

Attention:

The Glass Shower doors include with anti-shatter film-on the reverse side of the certification printed logo.



With anti-shatter film helps to hold glass in place in the event of breakage. So as to prevent the glass shatter will hurt the user. Allowing the panel to be carefully removed by a professional at a later date.



In the event of breakage please follow the steps below.

1. If someone is inside the shower, move the panel slowly out of the way and exit the bathroom as soon as possible. Do not allow anyone to re-enter bathroom until prepared to remove and dispose of broken panel.
2. Utilize safety precautions such as a hard-hat, safety glasses, leather gloves, proper footwear and moving blankets to minimize risk of injury.
3. It is recommended that two people assist in the removal of the panel. One person to hold panel steady, and the other to un-install the hardware. Then carefully remove glass from shower and lay flat on cardboard or plywood until it can be removed. Once laying flat, a razor knife or box cutter can be utilized to cut the film and remove in smaller pieces.



● Assembly

01

WARM TIPS

01:

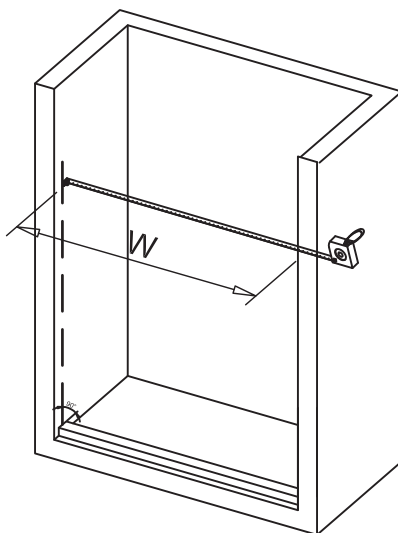
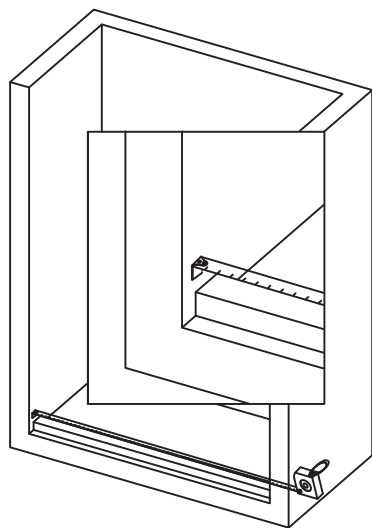
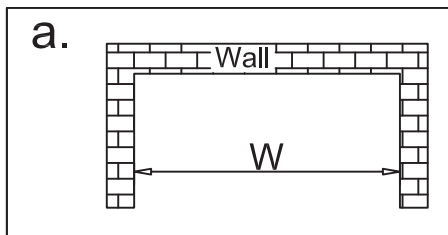
Open the packaging carefully and inspect all the necessary parts using detailed diagram and component list in your manual as a reference. Before discarding the carton, check for small hardware bags that tend to fall to the bottom of the box. If any parts are damaged or missing, please contact us for replacement.

02:



Retain these installation instructions for future use if in need.

1. Measure the distance between two finished walls. This distance is marked as W.

Please see Fig a for details:



02

[1]	 1X
[7]	 1X

2. Your Top Raid (1) and Anti-splash Threshold (7) have been pre-cut for your Shower model opening width, eg.60" for shower width. If W-width of your wall-to-wall opening is equal to the size of your Shower model, it is unnecessary to cut the Top Raid(1) and Anti-splash Threshold(7) and you can continue to Next **Step 3**.

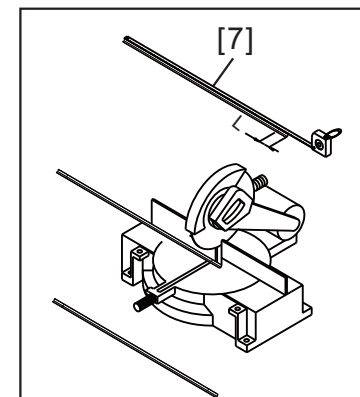
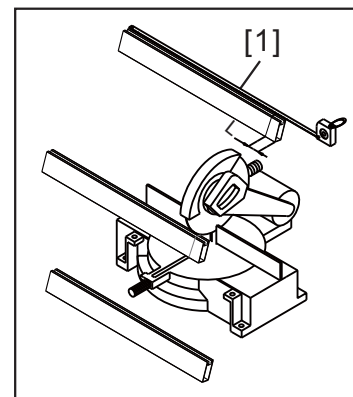
If W-width of your wall-to-wall opening is less than the size of your Shower model, you will need to cut the Upper Guide Rail and Bottom Guide Rail.

1. Cut the Top Raid(1) at one side only
2. Cut the Anti-splash Threshold(7)


The length to cut off will be L:
L=Subtract W from the size of your Shower model.

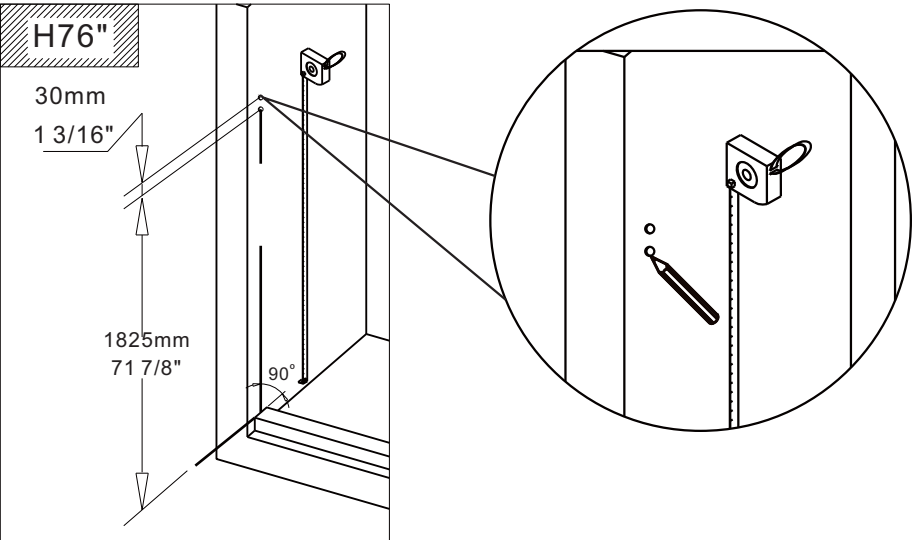
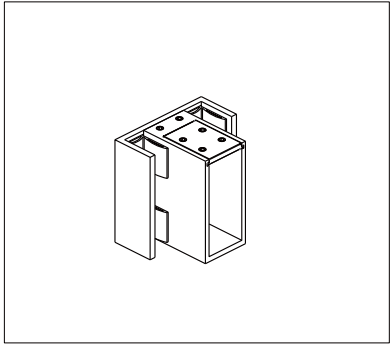
FOR EXAMPLE
If your wall opening W=59". Your shower model is 60".
 $L=60"-59"=1"$,
You have to cut 1" off from the rail.

Please see Fig 2 for details:




03

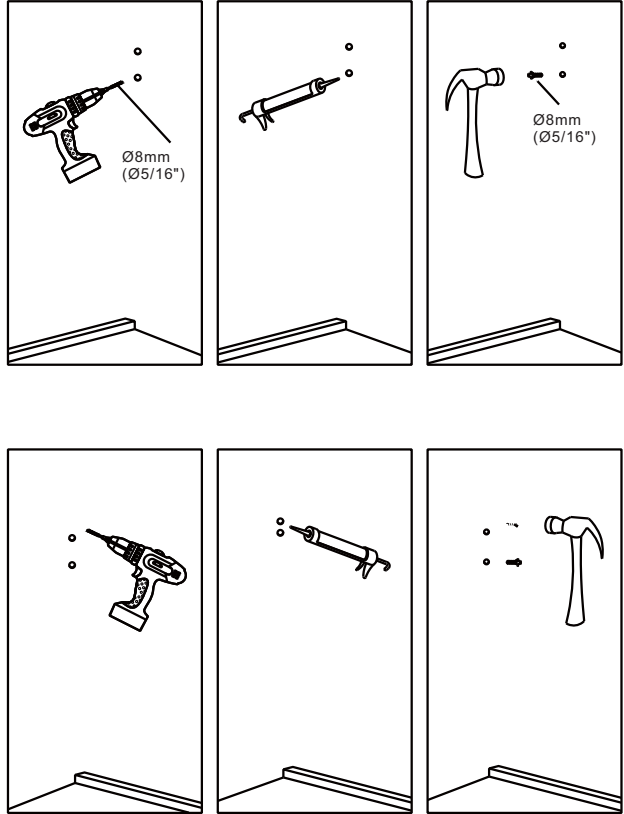
[2]	
	2X





04

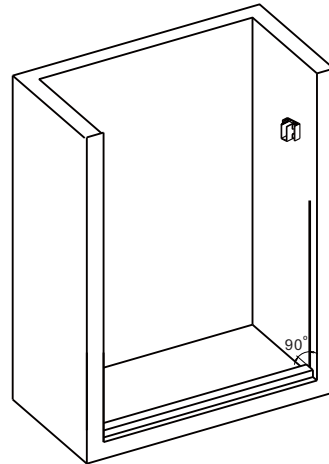
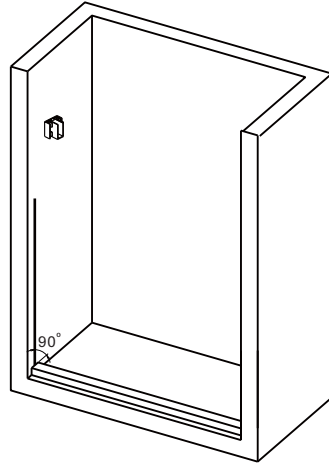
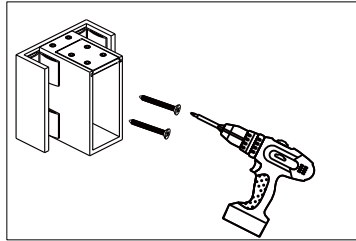
[9]	
	4X

Drill the holes on the wall using $\varnothing 8\text{mm}$ ($\varnothing 5/16''$) drill bit and apply silicone sealant into the holes, insert the Wall Anchors (9).








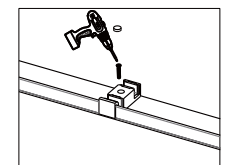
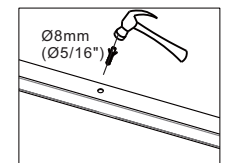
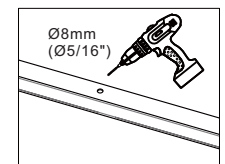
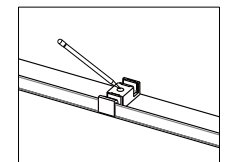
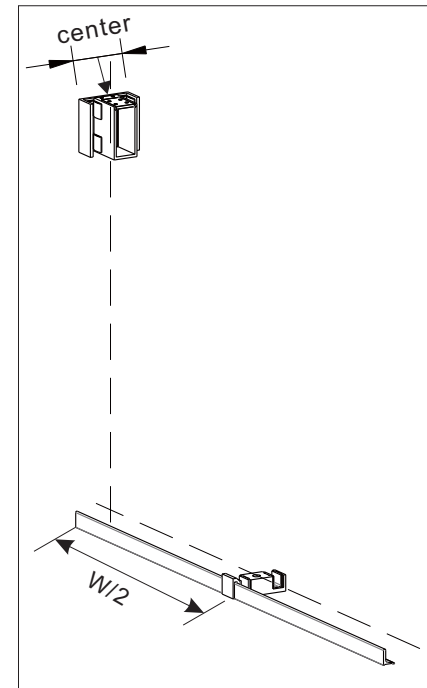
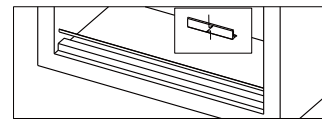
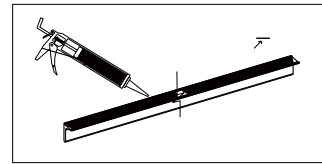
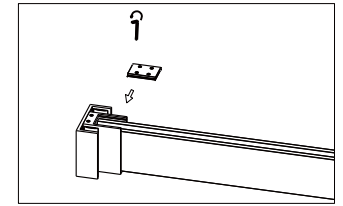
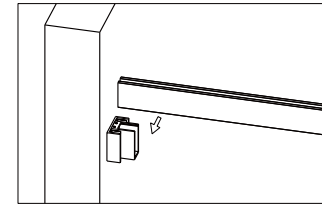
05

[2]		2X
[11]		4X



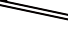


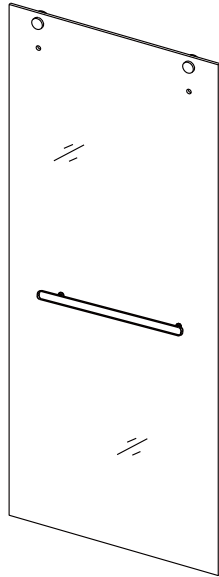
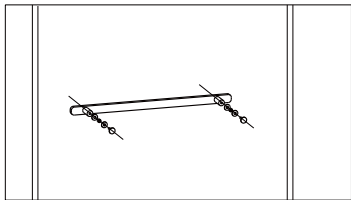
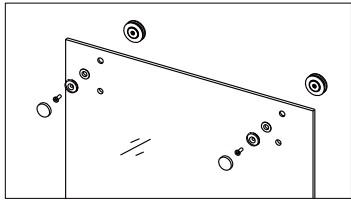
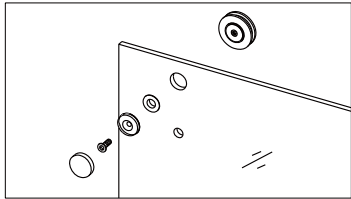
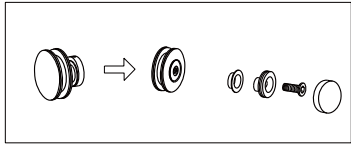
06

[1]		1X
[7]		1X
[8]		1X
[10]		1X
[9]		1X




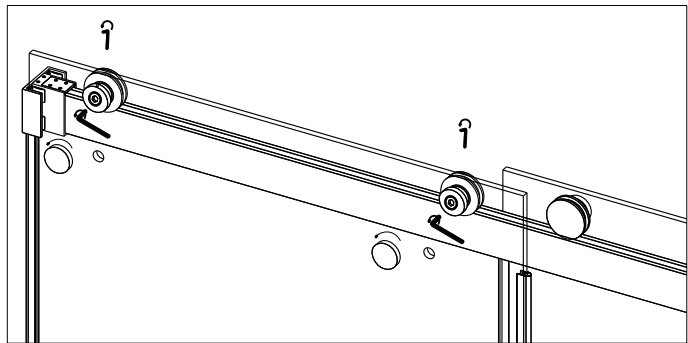
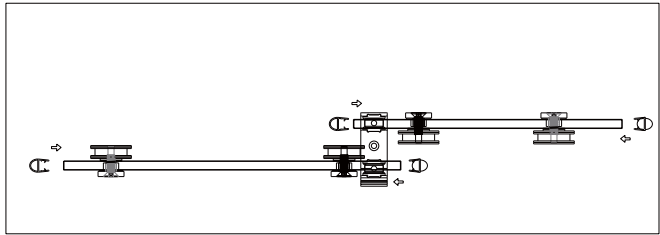
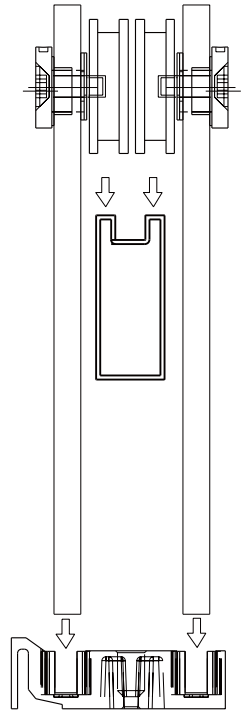
07


[12]		4X
[6]		2X
[5]		2X

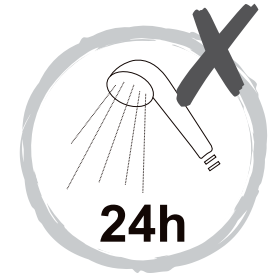
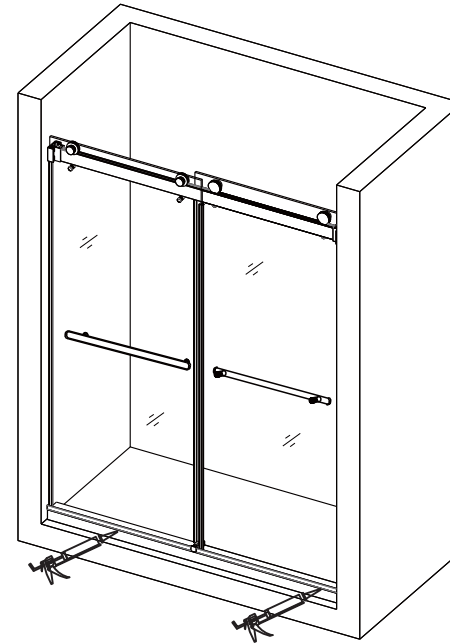
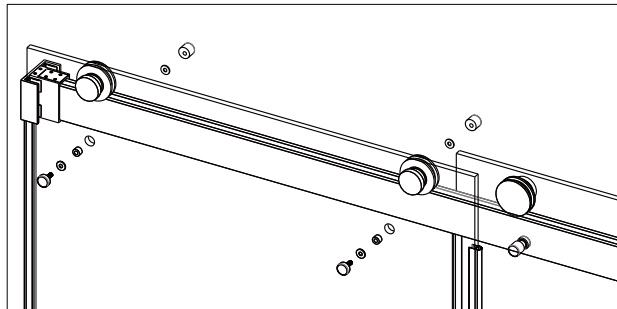
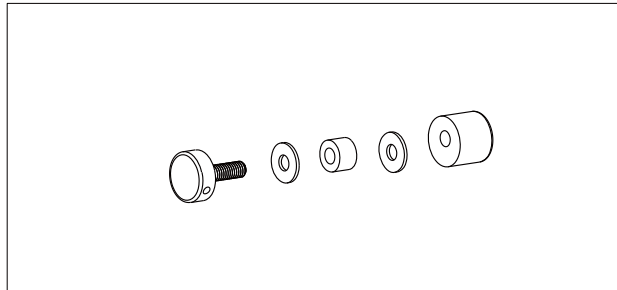
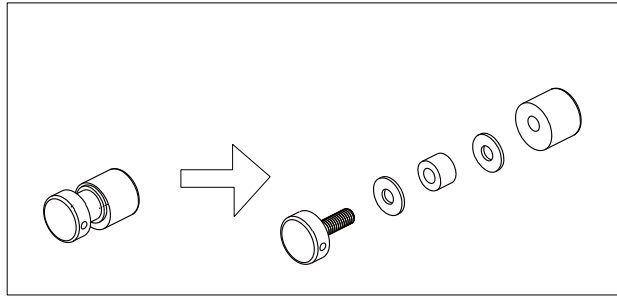


08

[1]		1X
-----	---	----




[4]	
	4X



24h

Seal with Silicone caulk between wall, shower tray or threshold.

 Please ensure the bottom horizontal is straight before the silicone sealant to cure fully

● Do not use the shower enclosure for at least 24 hour in order to allow the silicone sealant to cure fully.