



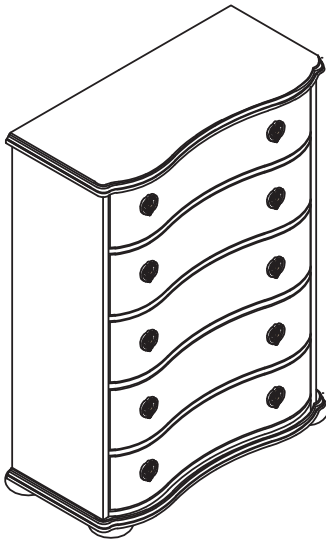
# LIBERTY FURNITURE

## ASSEMBLY INSTRUCTION

ITEM# **LB#545 - BR41**

**DESCRIPTION: 5 DRAWER CHEST**

Thank you for purchasing this quality product. Be sure to check all packing material carefully for small parts which may have come loose inside the carton during shipment. Identify and count all parts and compare with the parts List Below:



**PART LIST:**

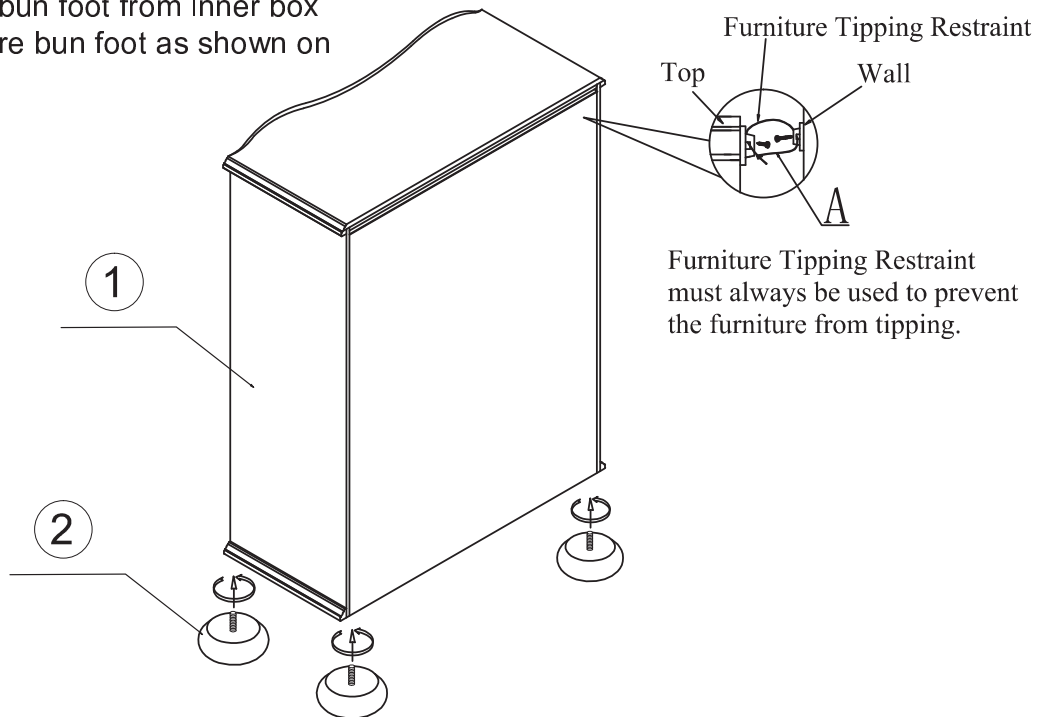
①		②	
<b>DRAWER CHEST: 1PC</b>		<b>BUN FOOT: 4PCS</b>	

**HARDWARE LIST**

NO.	Drawing	Description	Q'ty
A		Furniture Tipping Restraint	1 Set

Note: The box of bun foot are put in the drawer.

1. Remove bun foot from inner box and secure bun foot as shown on drawing.



Furniture Tipping Restraint must always be used to prevent the furniture from tipping.

### CLEANING INSTRUCTION

Clean the Drawer Chest surface with a furniture polish and a soft cloth.

Made in VietNam