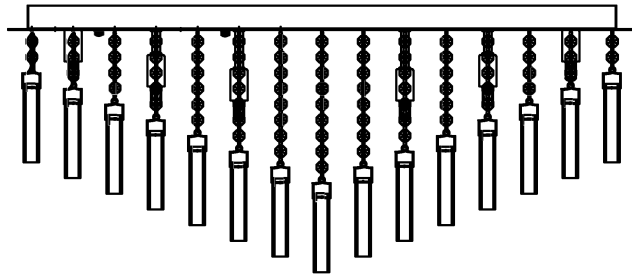


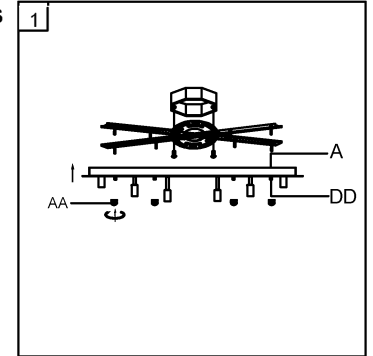
Trade Mark:  
CRYSTAL WORLD INC

Product Name: Ceiling lamp  
Model :5036C32C  
120Vac, 60Hz,AC ONLY  
Lamp size:Ø32"XH13"



## CEILING LAMP ASSEMBLY INSTRUCTIONS

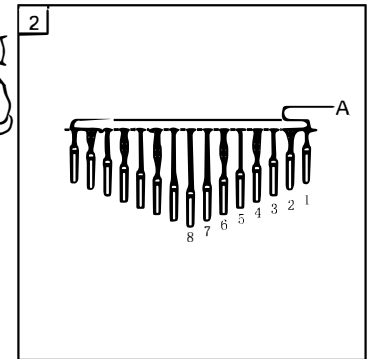
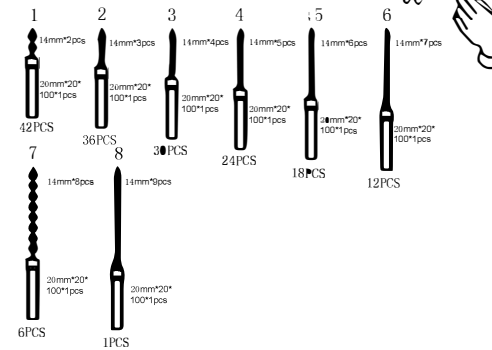
1. Place fixture(A) onto mounting screws (DD).secure with cap nuts (AA).




### Hardware Used

AA Cap nut  X 8  
DD Mounting screw  X 8

2. Please put the crystal(1) (2) (3) (4) (5) (6) (7) (8) to the fixture (A).



3. Install light bulbs ( not included).  
Use bulb  
120V G9  16\*40W Max.

