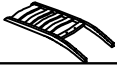



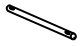
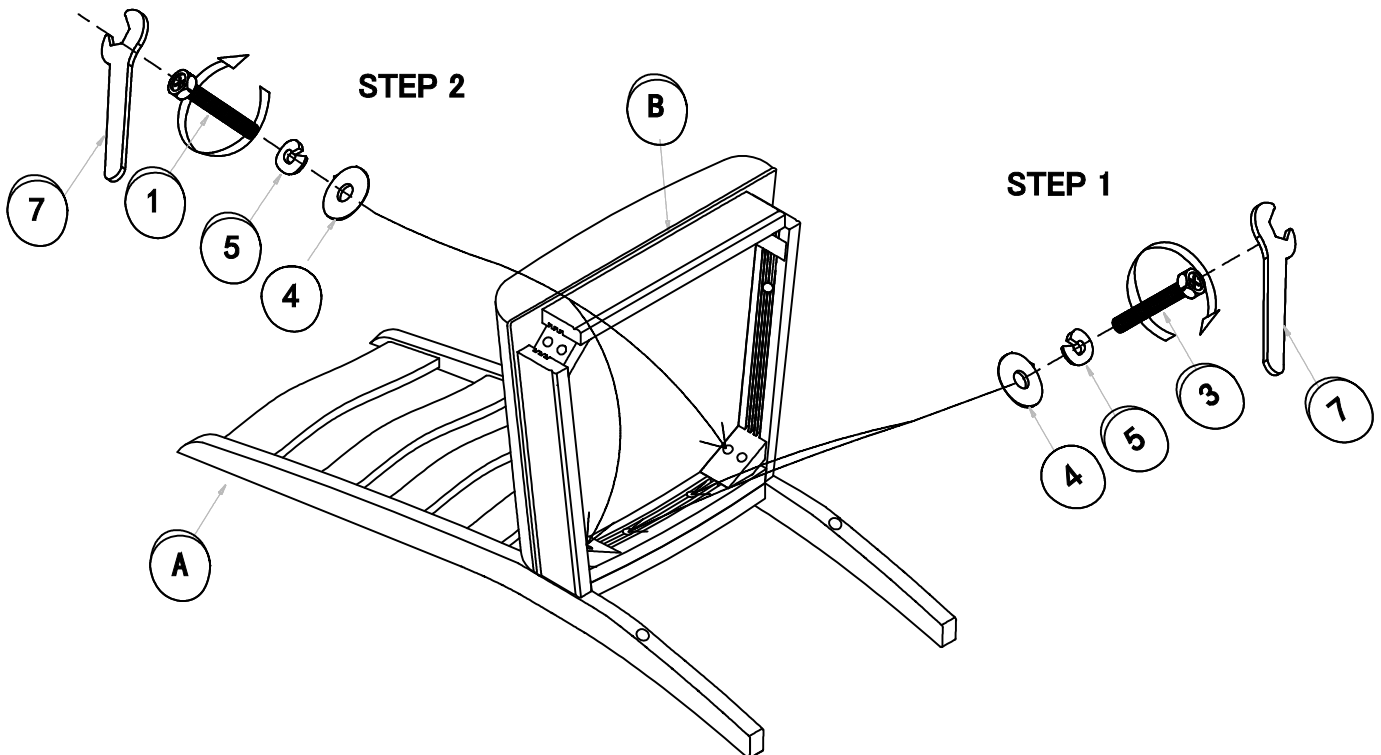


Assembly Instruction

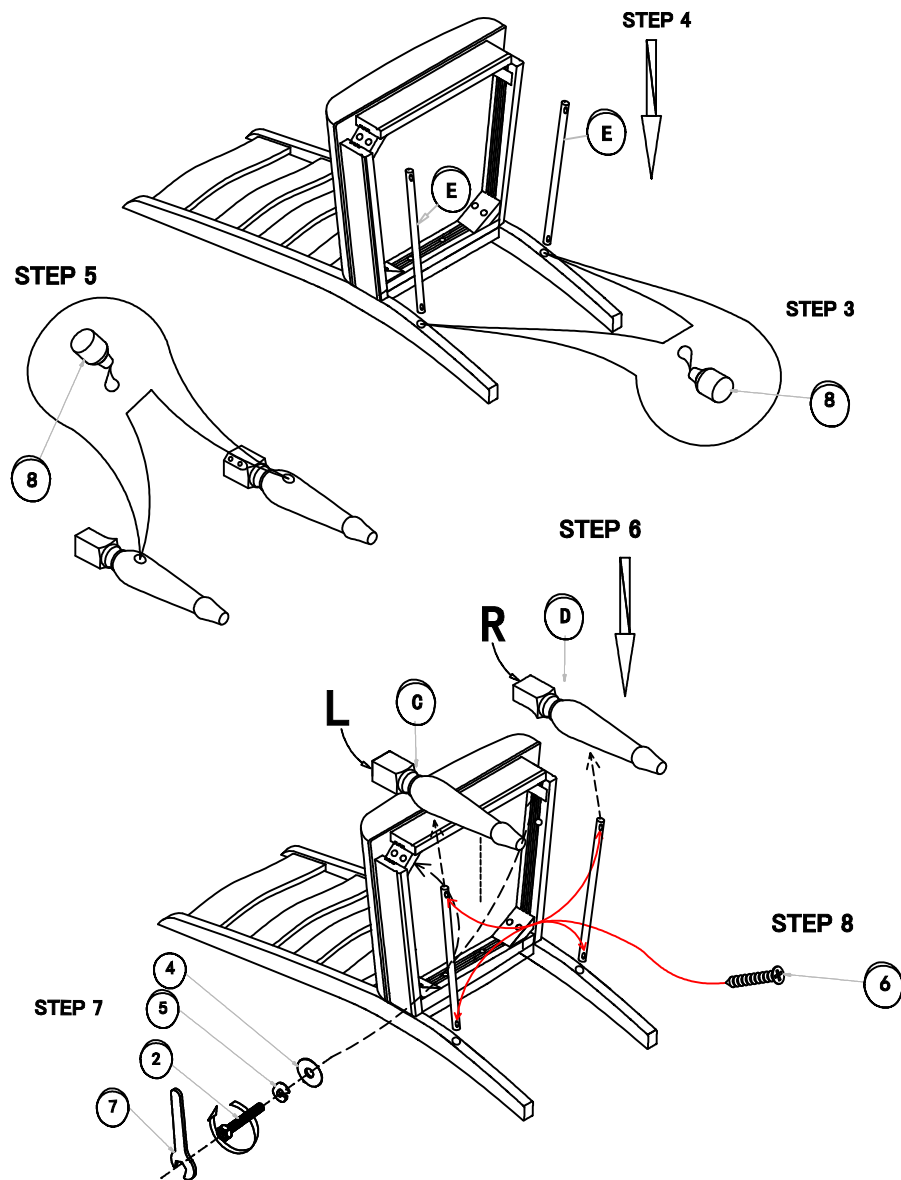
BEN-SQ-2-35-K

NO.	Parts List		Q'TY
A		Chair Back	1
B		Uph Seat	1
C		Left Front Leg	1
D		Right Front Leg	1
E		Side Stretcher	2

NO.	Hardware List		Q'TY
1		5/16*3-1/4" Allen Bolt	4
2		5/16*2-1/2" Allen Bolt	4
3		5/16*1-3/5" Allen Bolt	2
4		Flat Washer(8*19*2mm)	10
5		Spring Washer(8mm)	10
6		Wood Screw1/8" *1-1/2"	4
7		Open Wrench(13mm)	1
8		Wood Glue	1



MADE IN CHINA



* Turn the chair to the standing position. Check its balance and tighten all screw and bolts to complete the assembly.

IMPORTANT NOTE:

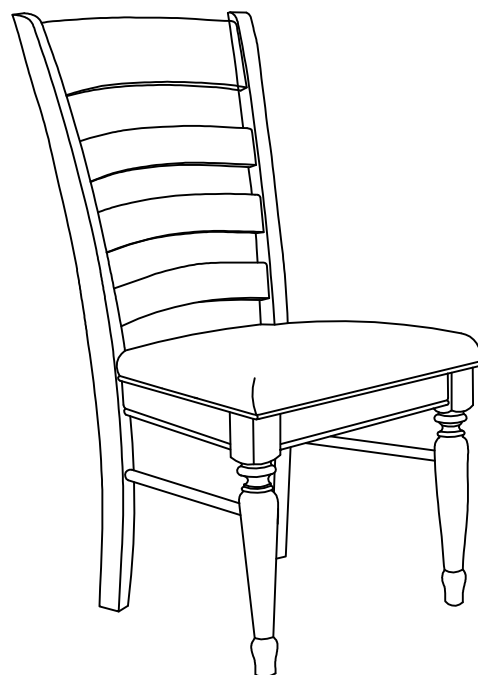
1. Use only the hardware supplied.
2. Do not over-tighten bolts.
3. This item may require periodic tightening.

IMPORTANT NOTE:

~Please keep all hardware out of the reach of children. Two or more people are needed for assembly.

CARE INSTRUCTION:

~Be sure to use the same type of polish consistently. Your furniture will appear cloudy or streaky if oil based or wax based polishes are interchanged.
 ~Spray your furniture surface evenly. Wipe in a circular motion with a soft clean cloth.



MADE IN CHINA