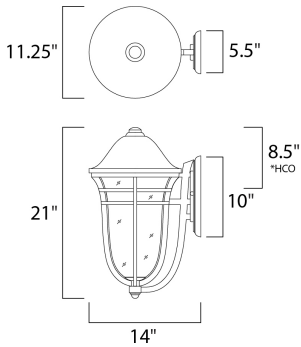




PRODUCT DESCRIPTION

Maxim Lighting's Westport VX Collection is made with Vivex, a material twice the strength of resin, is non-corrosive, UV resistant and backed with a 5-Year Limited Warranty. Westport VX features our Artesian Bronze finish and Mocha Cloud glass.



*height from center of outlet to the top of the fixture

MEASUREMENTS

DIMENSION : 11.25" W x 21" H x 14" Ext
 BACK PLATE : 5.5" W x 10" H x 8.5" HCO
 HANGING WEIGHT : 8.16 lb

LAMPING

INPUT VOLTAGE : 120V
 BULB : 1 x 60W Incandescent E26 Medium , 60W Total
 BULB INCLUDED : (Not Included)
 DIMMABLE : Yes

FINISHES OPTION

 Artesian Bronze

GLASS

Mocha Cloud MC

MATERIAL

Vivex Resin Composite

RATINGS

cETLus
 Wet Location



ADDITIONAL

OPERATING TEMPERATURE:
 -20°C (-4°F), 40°C (104°F)

Always consult a qualified electrician before installing any lighting product.



WESTERN DISTRIBUTION CENTER (HEADQUARTER)
 253 NORTH VINELAND AVE | CITY OF INDUSTRY, CA 91746
EASTERN DISTRIBUTION CENTER
 4200 SHIRLEY DR. | ATLANTA, GA 30336
 P. 626.956.4200 | F. 626.956.4225 | maximlighting.com