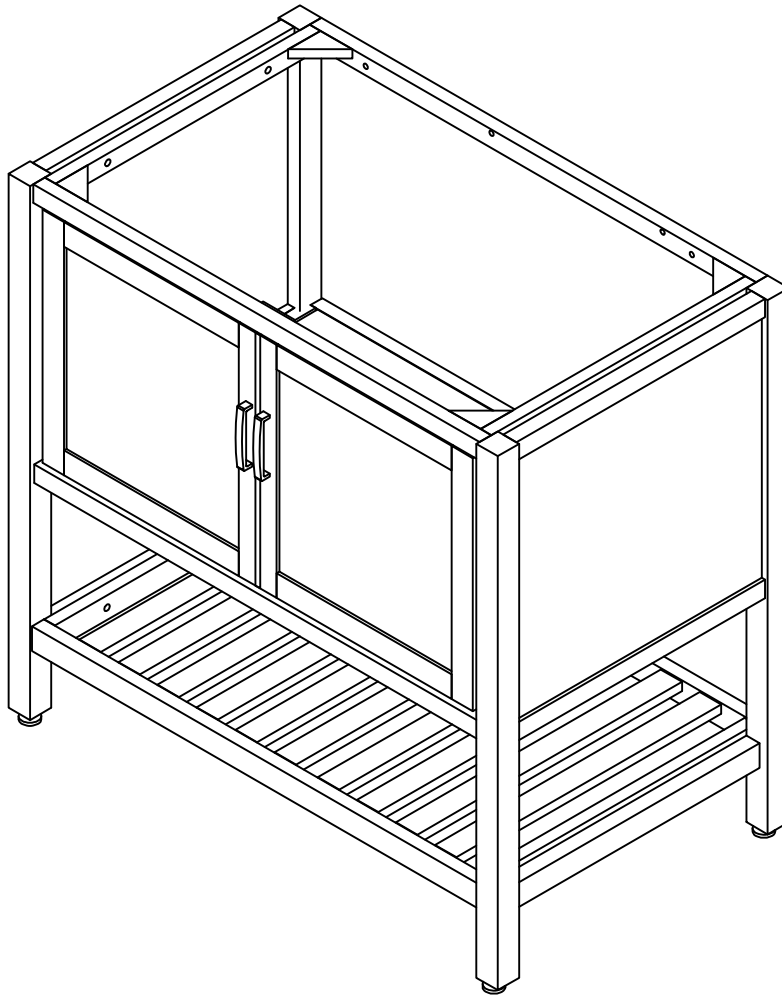


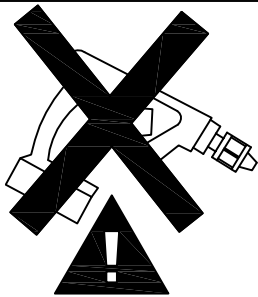
ASSEMBLY INSTRUCTION

36" Vanity

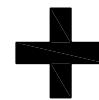
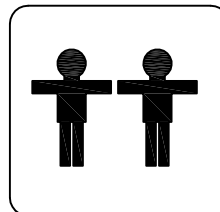


REPLACEMENT PARTS

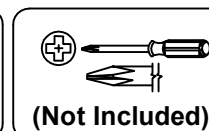
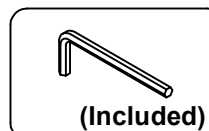
Please do not contact the company purchased from as we can help you faster.
Order replacement parts and hardware at " www.boltonfurniture.com "



. Use of power tool to assemble this product will invalidate any claim and damage this product making it unsafe !!!
. Please assemble on a clean soft surface to avoid damage.

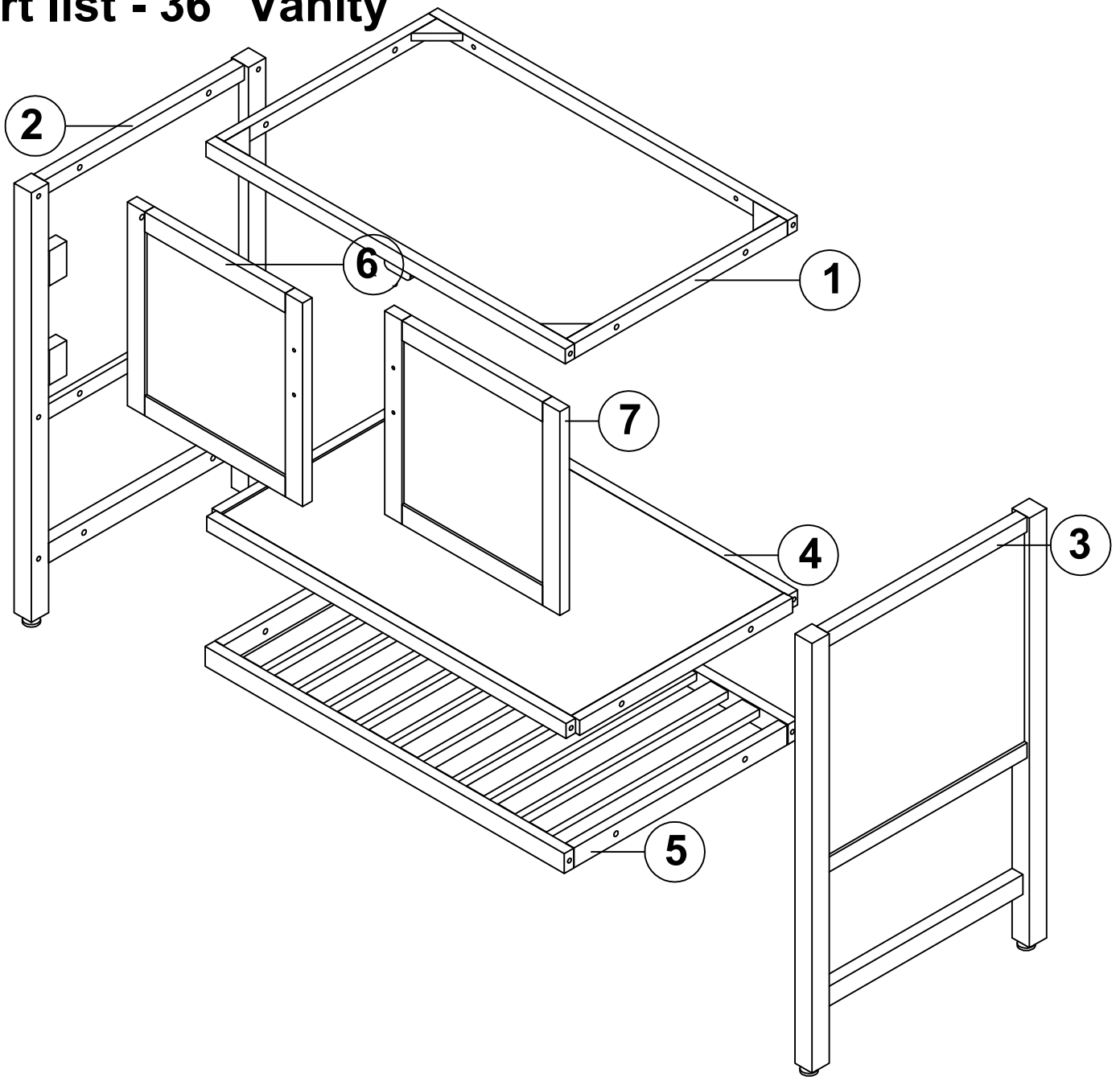


Tools Required

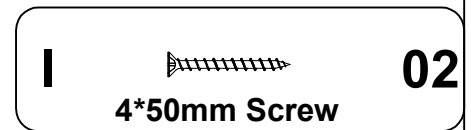
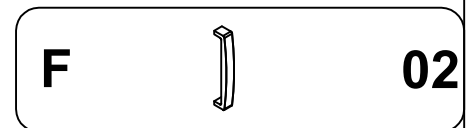
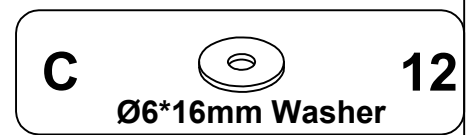
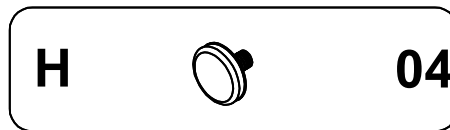
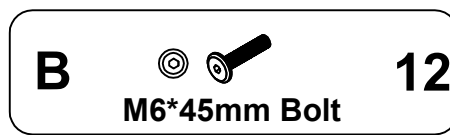
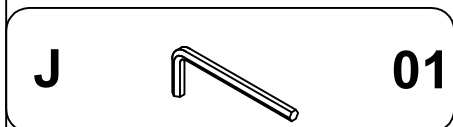
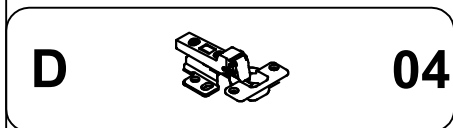


www.boltonfurniture.com

Part list - 36" Vanity



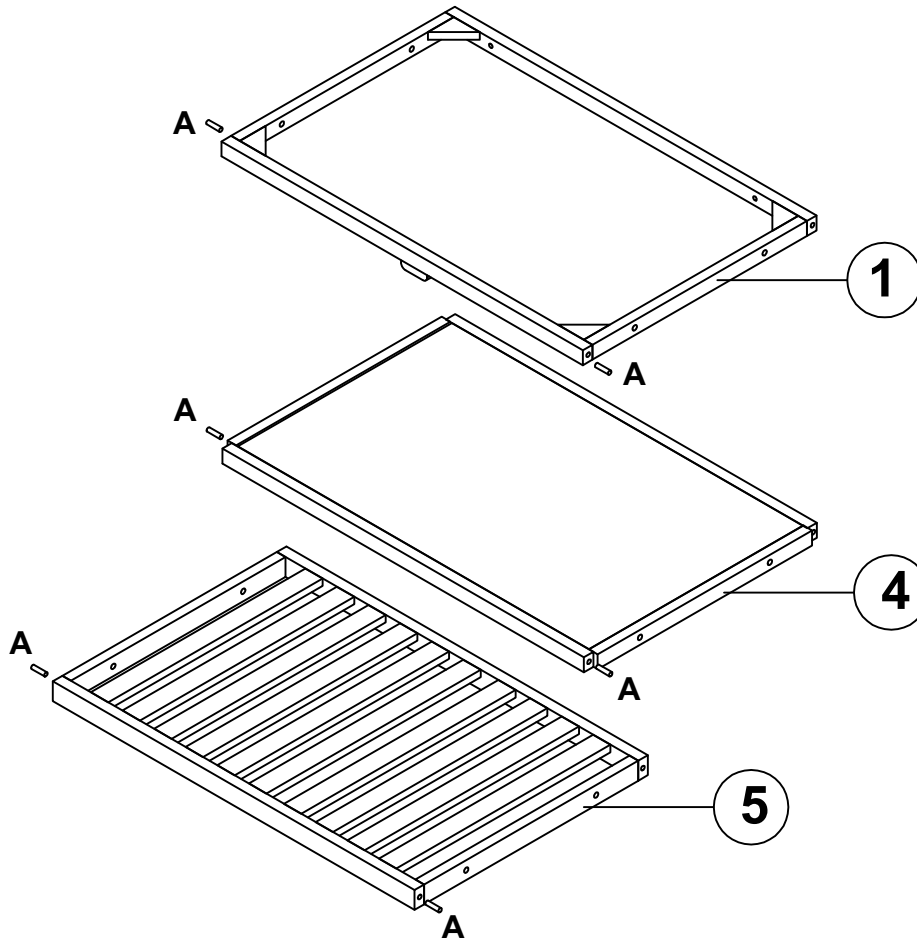
Identifying the hardware-Identify the hardware using the illustrations below



Step 01

A  **06**
Ø8*30mm Wood Dowel


 **01**
(Not Included)

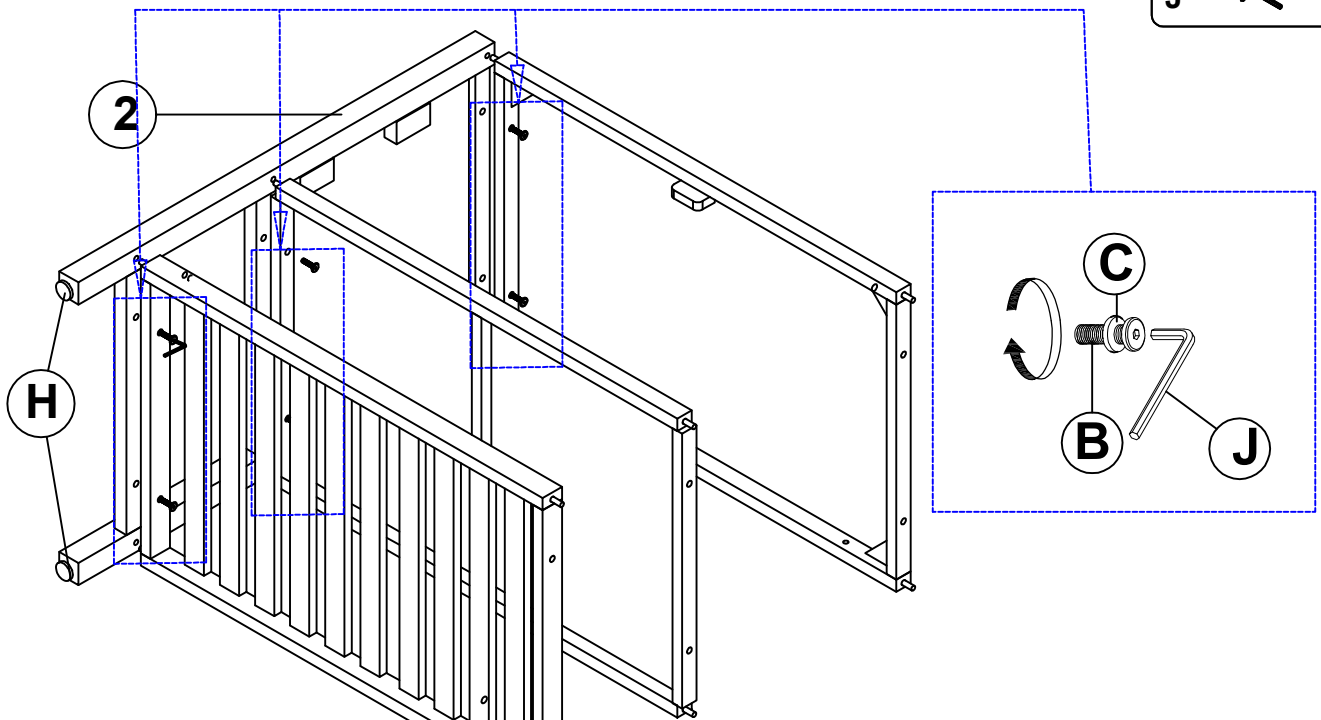


Step 02

B  **06**
M6*45mm Bolt

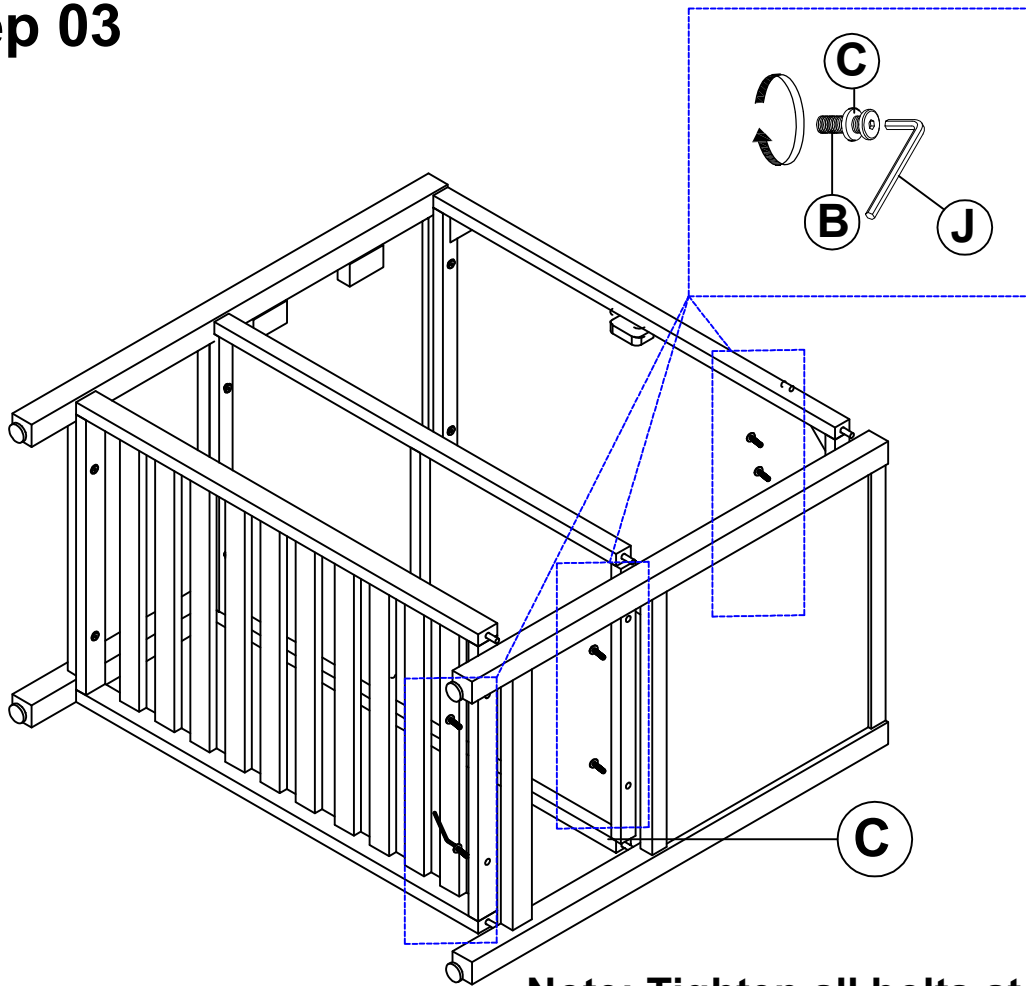
C  **06**
Ø6*16mm Washer




J  **01**



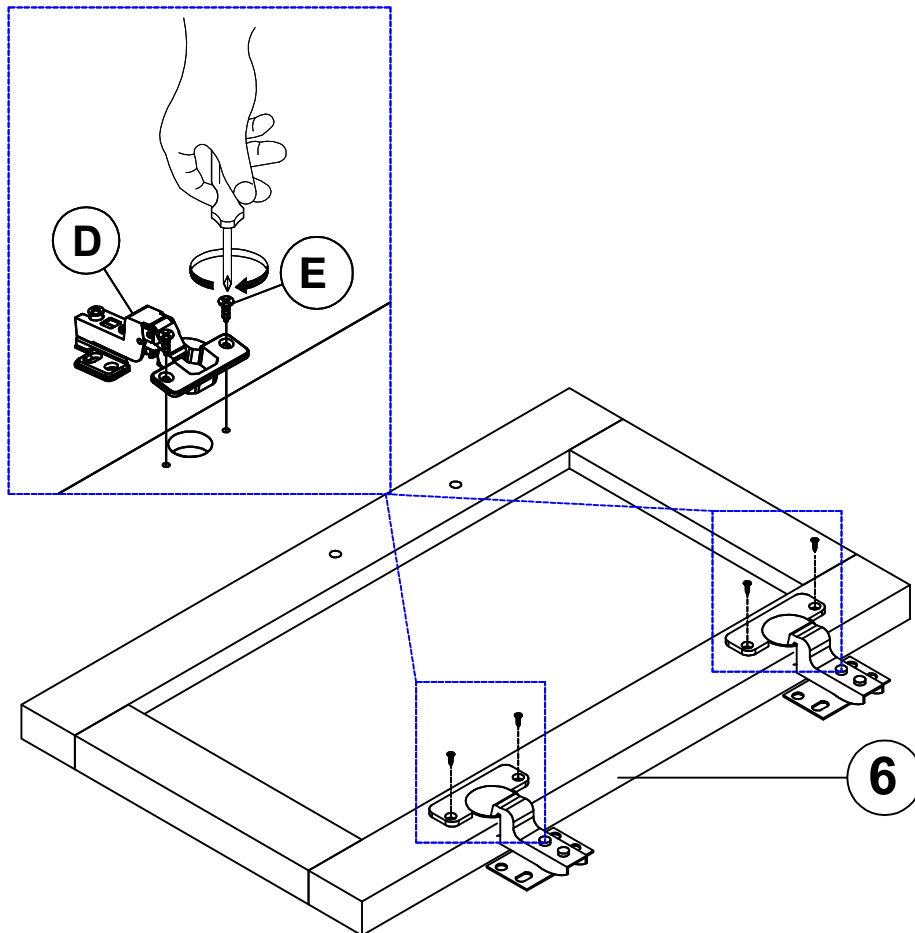
Note: Do not tighten bolts firmly at this time




Step 03



- B**  **06**
M6*45mm Bolt
- C**  **06**
Ø6*16mm Washer
- J**  **01**


Note: Tighten all bolts at this time

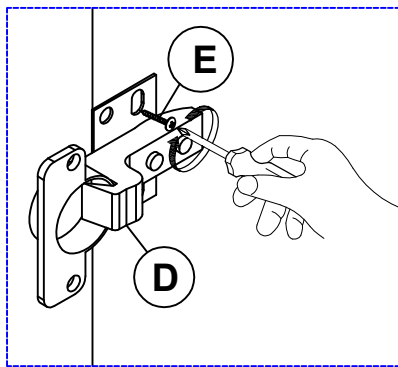
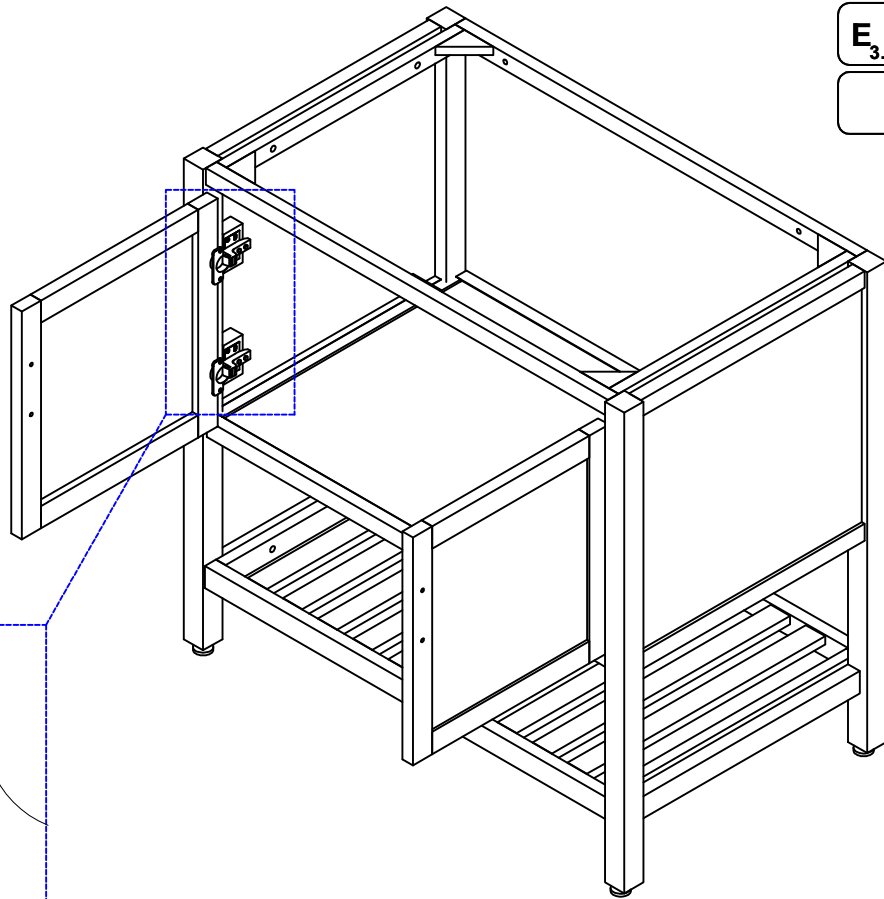


- D**  **04**
- E**  **08**
3.5*15mm Screw
-  **01**

X2


E  **16**
3.5*15mm Screw

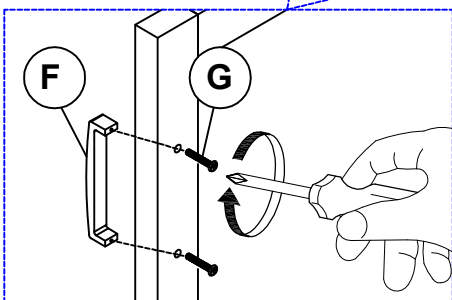
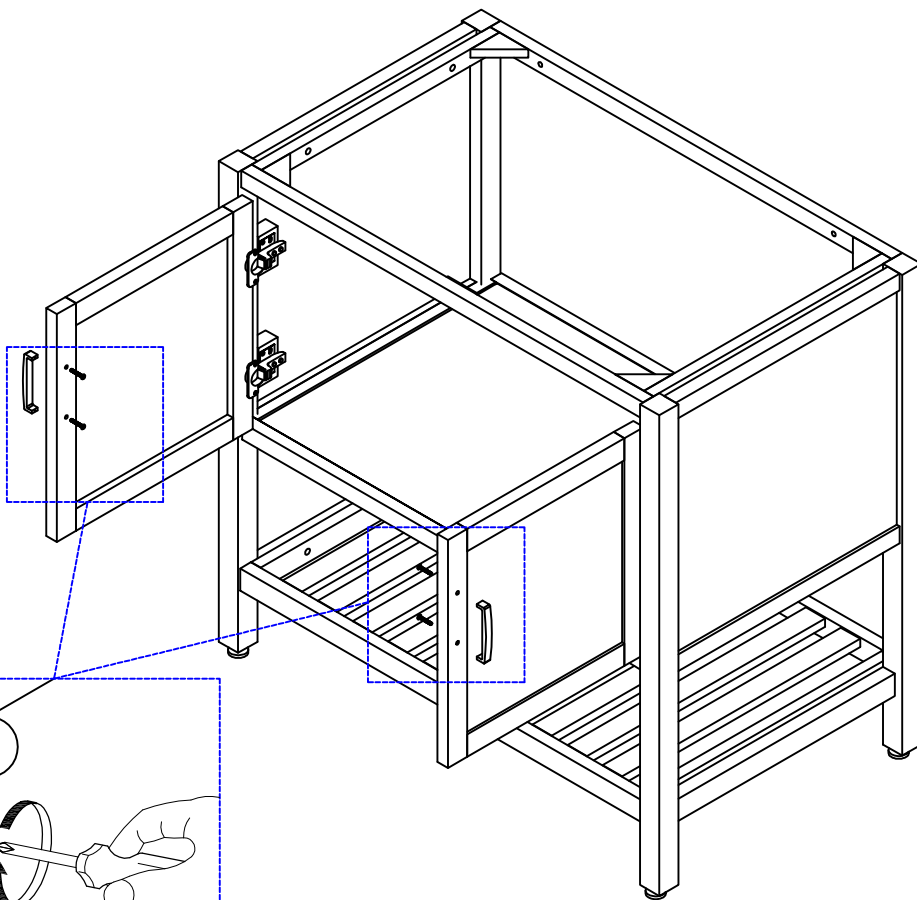
 **01**



F  **02**


G  **04**
4*25mm Screw

 **01**



Step 07

I  02
4*50mm Screw

 01

- . Mark the location of the Studs in the wall on the stretcher rail.
- . Drill a 1/16" thru hole in the center of the Stretcher Rail at the location of the studs in the wall.
- . Secure the Vanity to the wall using screws (I)
Make sure the screws align **with the** Studs in the wall.

