

USER GUIDE

MEDICINE CABINET - SINGLE DOOR WITH LED LIGHTED MIRROR



Model: 69402026, 69402426

IMPORTANT SAFETY INFORMATION

Please read through this installation instruction so you will know how to install and operate your model properly. Keep this document in a safe place for future reference after use.

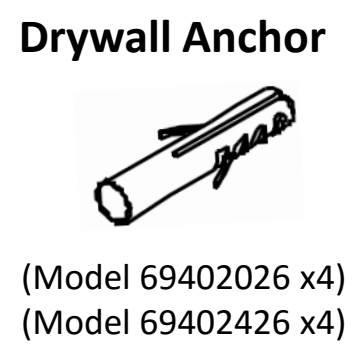
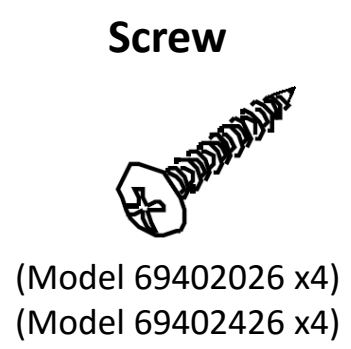
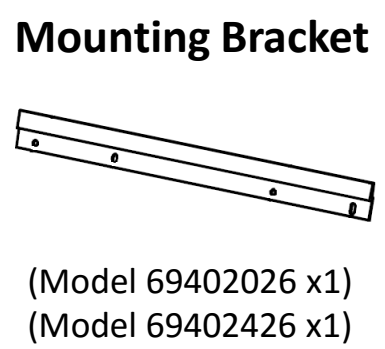
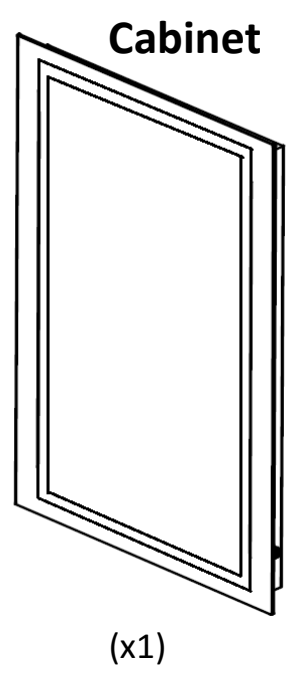
WARNING

This product must be installed in accordance with the installation instruction by qualified technician. Failure to follow instruction could result in death or serious bodily injury.

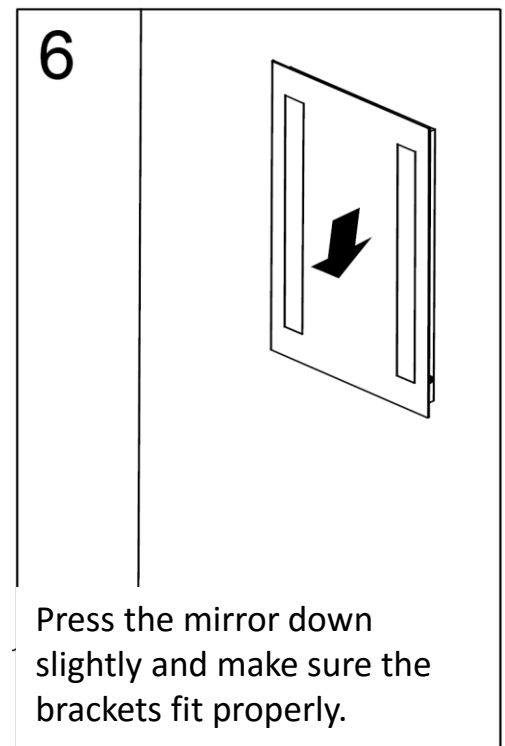
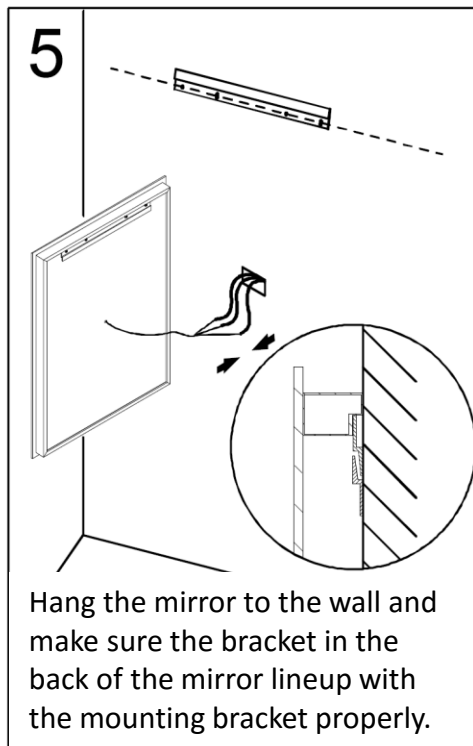
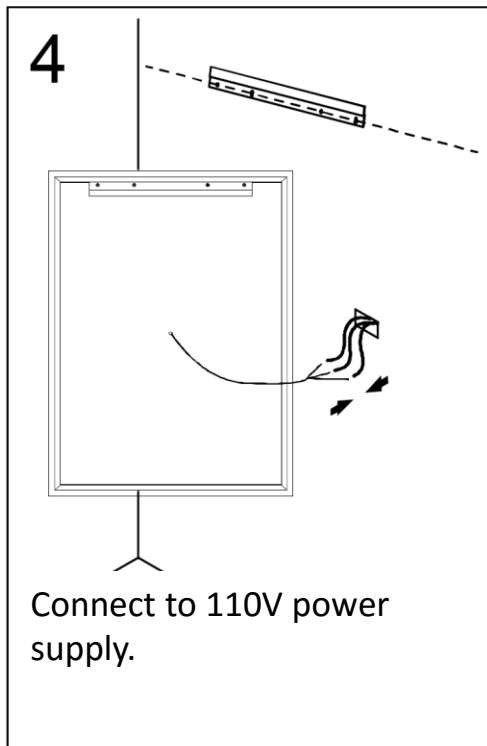
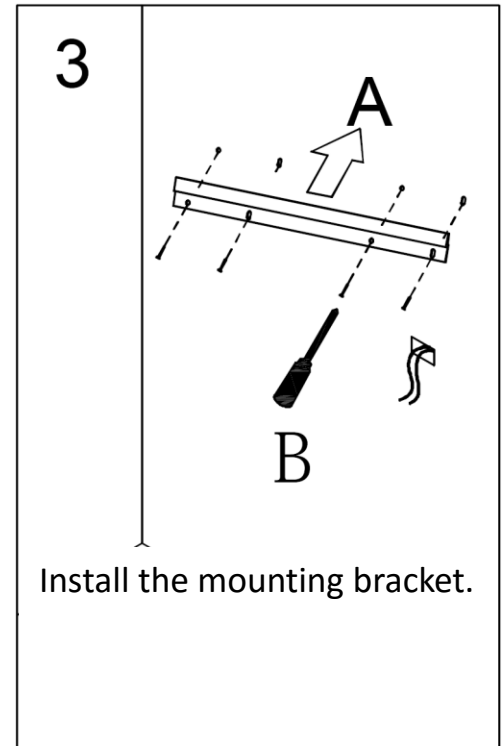
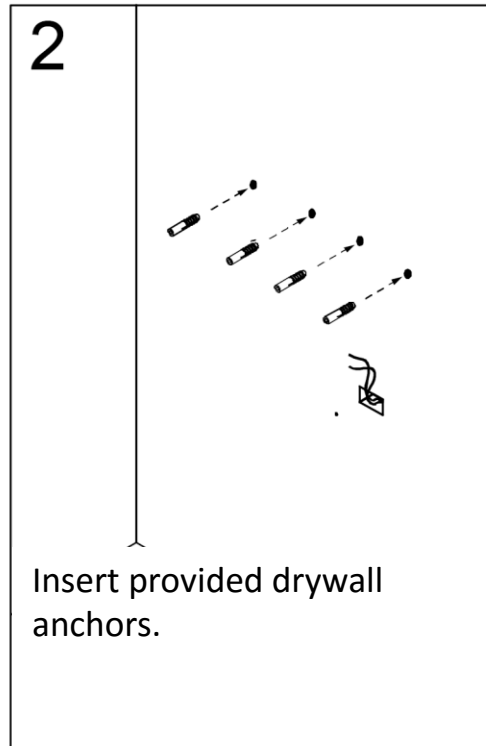
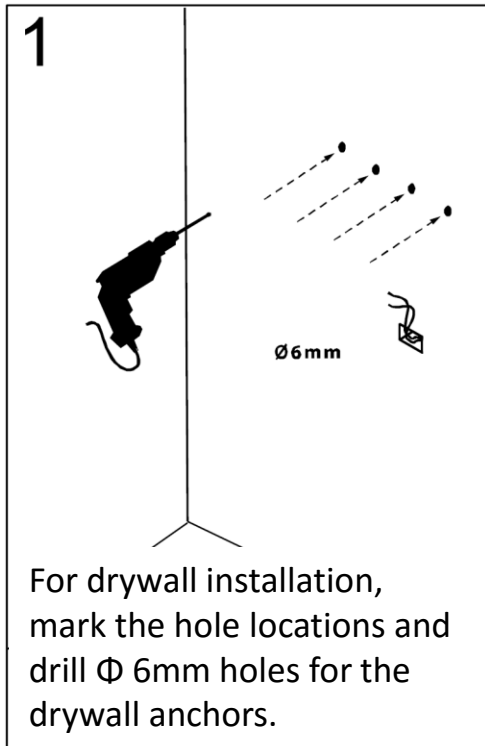
CAUTION

This product must be serviced by qualified personnel. ALWAYS unplug the power cord or turn off the circuit breaker before service.

PACKAGE CONTENTS

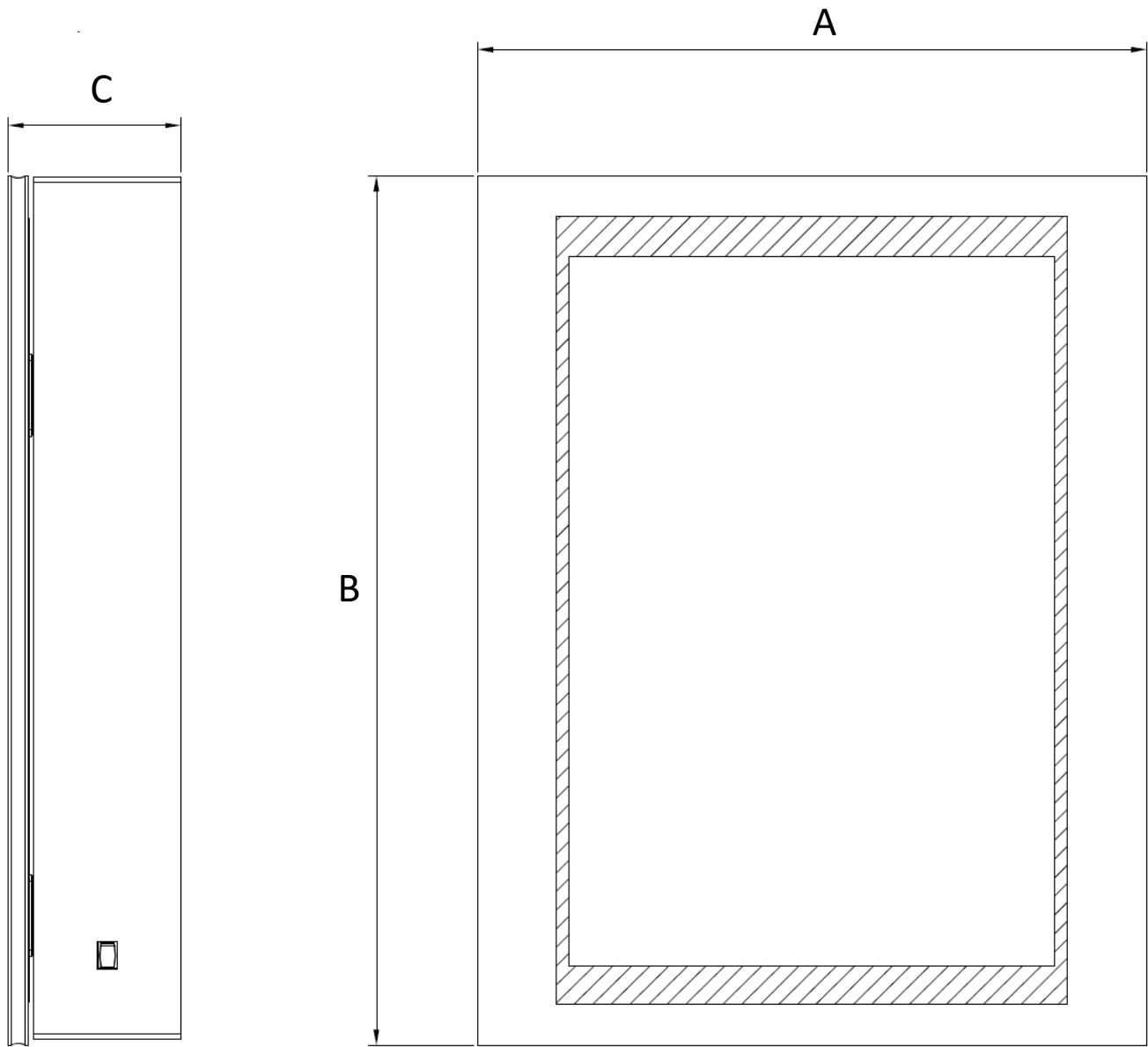


INSTALLATION

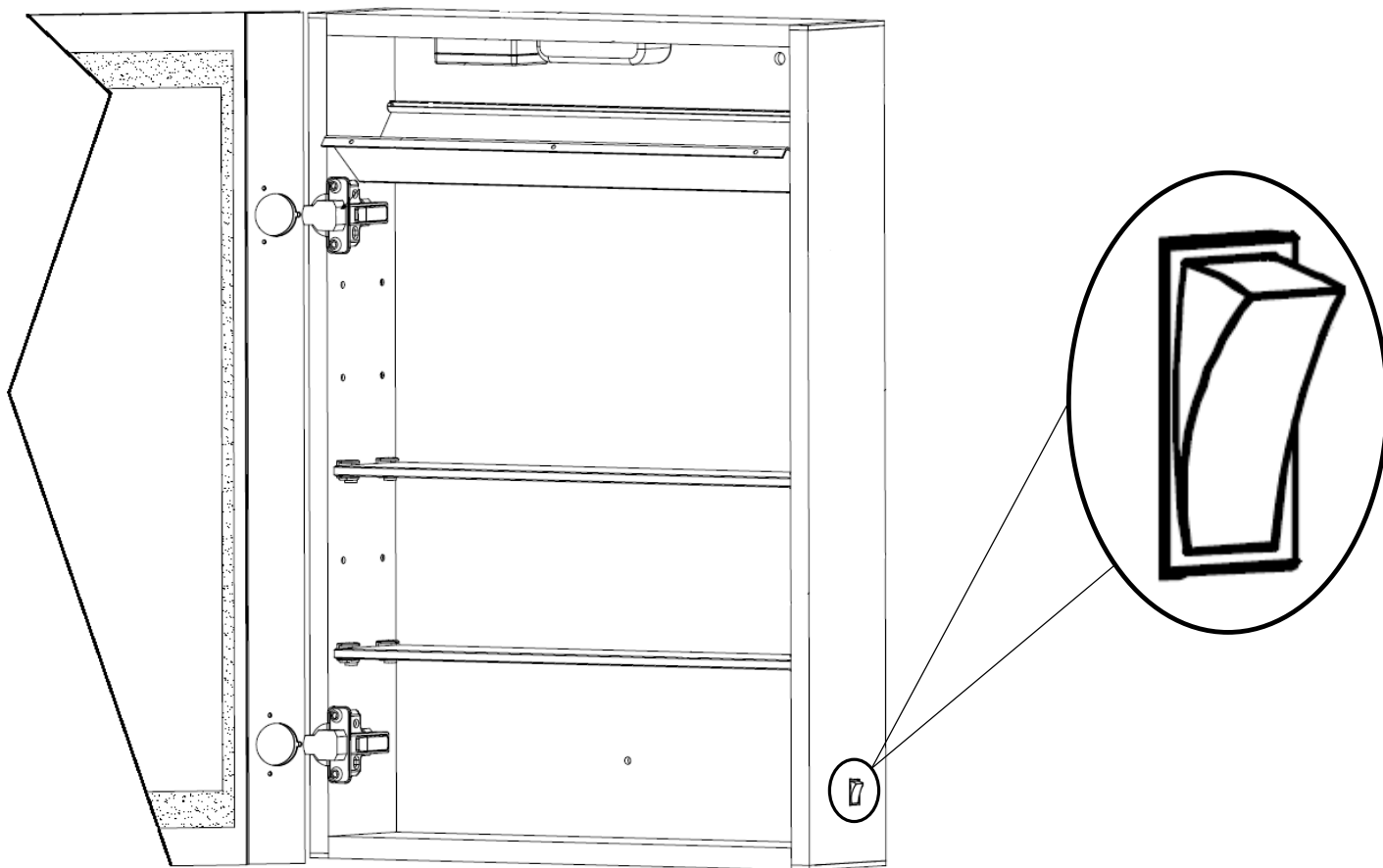


- Using the wall studs to hang the mirror is highly recommended.
- This mirror is NOT designed to work with dimmable wall switch.

INSTALLATION DIMENSIONS



Model #	A	B	C
69402026	20	26	5 1/4
69402426	24	26	5 1/4



1. Rocker switch

- a. Locate the rocker switch on the side of the cabinet.
- b. Turn the lights on or off by pressing the switch.

CARE AND MAINTENANCE

Clean the mirror with a soft, damp cloth and dry thoroughly with a soft towel. Do NOT allow the edges of the mirror to get or remain wet over a period of time. Please do NOT use glass cleaner that contains ammonia or vinegar. Never spray any cleaner directly onto a mirror. Instead apply the cleaner to a soft cloth and then wipe the mirror. Make sure no commercial cleaner comes in contact with the edge or backing.

WARRANTY

DEFECTIVE GOODS CONSUMER WARRANTY

innoci usa inspects all of its products prior to shipment. We offer a 5-year Limited warranty on our electric mirror products. Defective products should be returned to place of purchase for replacement. However, if this is not possible, we accept returns on defective product with our written authorization. Returns will be handled by product replacement. Defects or damage caused to product by the consumer are not accepted.

SHORTAGE OR DAMAGED PRODUCTS

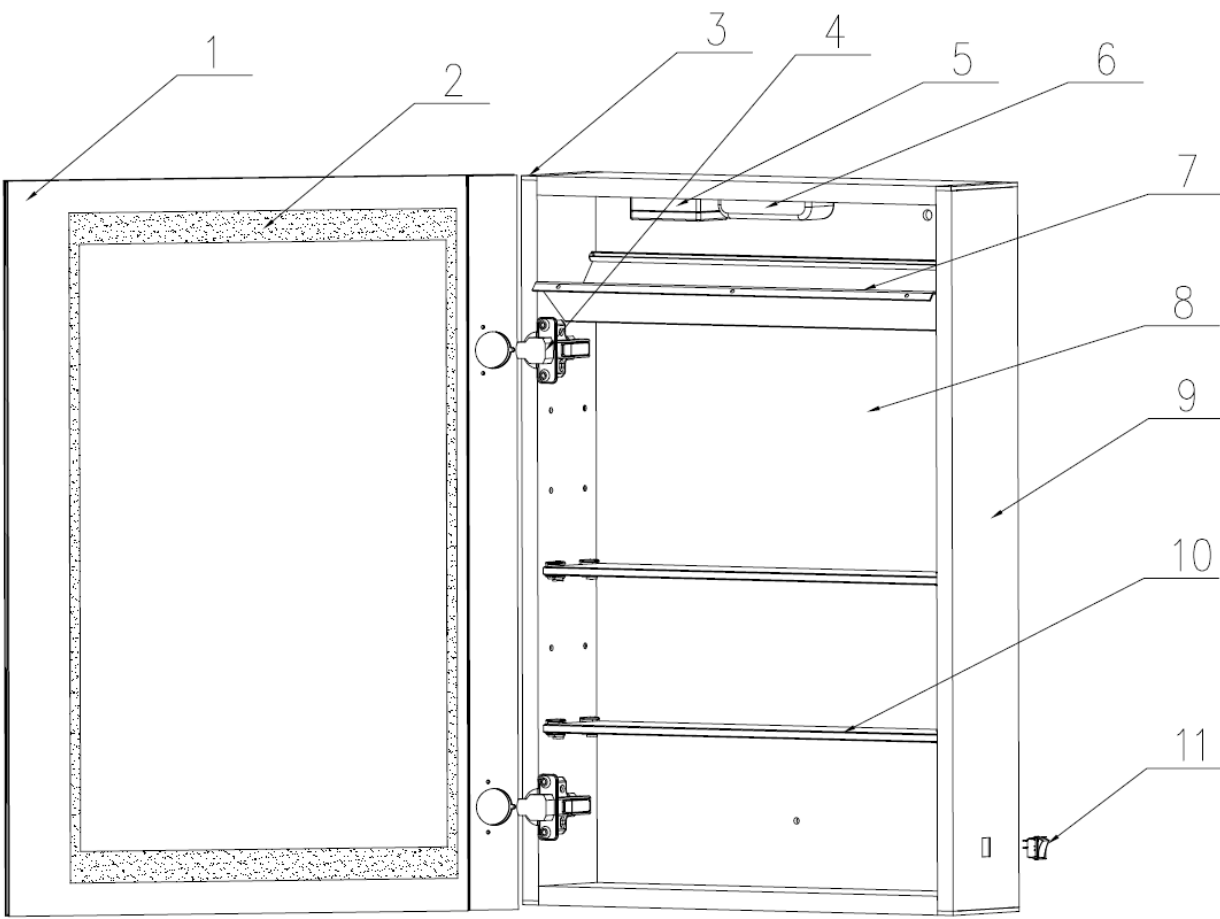
All shipments are carefully inspected and counted before leaving our distribution centers. Please inspect carefully on receipt of merchandise, noting any discrepancy or damage on the carrier's freight bill at that time, and file a claim with the carrier within 10 days from receipt of order. Then contact our office. Deductions from invoices for shortages or damage claims will not be allowed.

RETURN NEW GOODS

All claims for returns or adjustments must have prior approval and return authorization (RA) number. Only original, sealed product in salable condition are eligible for return. Credit for authorized returns will be issued at the net price paid for the product and subject to a 15% restocking/handling fee. Merchandise is to be returned via prepaid freight. All unauthorized returns will be refused or subject to a 25% restocking/handling fee.

How to request an "RA" number: Fill out the "RA" form and email it to Customer Service customerservice@innoci-usa.com. "RA" form can be obtained by emailing Customer Service or from our website www.innoci-usa.com. We will send you a Return Authorization Number (RA) by return by email. Please take necessary precautions when returning merchandise to prevent additional damage. Insurance is the responsibility of the shipper.

REPLACEMENT PARTS



Part	Description
1	Mirror Door
2	LED Light
3	Plastic Cover
4	Hinge
5	Connection Box
6	LED Driver
7	Electrical Cover
8	Back Board
9	Aluminum Side Panel
10	Glass Shelf
11	Rocker Switch

innoci usa, Inc.

14100 Alondra Blvd.,
Santa Fe Springs, CA 90670

www.innoci-usa.com