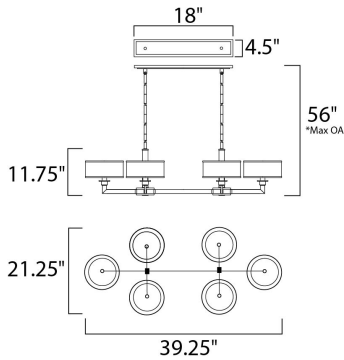




**PRODUCT DESCRIPTION**

The Nexus collection is the true standard for contemporary lighting. The flat rectangular tube arm forms to a perfect angle and comes finished in choice of Satin Nickel or Oil Rubbed Bronze. The White fabric drum shade is trimmed with metal rings in matching finish for a clean, tailored look.



\*max overall height

**MEASUREMENTS**

- DIMENSION : 39.25" L x 21.25" W x 11.75" H
- MAX OAH : 56" OAH
- CANOPY : 4.33" W x 0.79" H x 18" L
- HANGING WEIGHT : 17.42 lb

**LAMPING**

- INPUT VOLTAGE : 120V
- BULB : 6 x 60W Incandescent E12 Candelabra , 360W Total
- BULB INCLUDED : (Not Included)
- DIMMABLE : Yes

**FINISHES OPTION**

- Oil Rubbed Bronze
- Satin Nickel

**MATERIAL**

Steel, Fabric

**RATINGS**

cETLus  
Dry Location



**ADDITIONAL**

ADJUSTABLE  
OPERATING TEMPERATURE:  
-20°C (-4°F), 40°C (104°F)

Always consult a qualified electrician before installing any lighting product.



**WESTERN DISTRIBUTION CENTER (HEADQUARTER)**  
253 NORTH VINELAND AVE | CITY OF INDUSTRY, CA 91746

**EASTERN DISTRIBUTION CENTER**  
4200 SHIRLEY DR. | ATLANTA, GA 30336

P. 626.956.4200 | F. 626.956.4225 | maximlighting.com