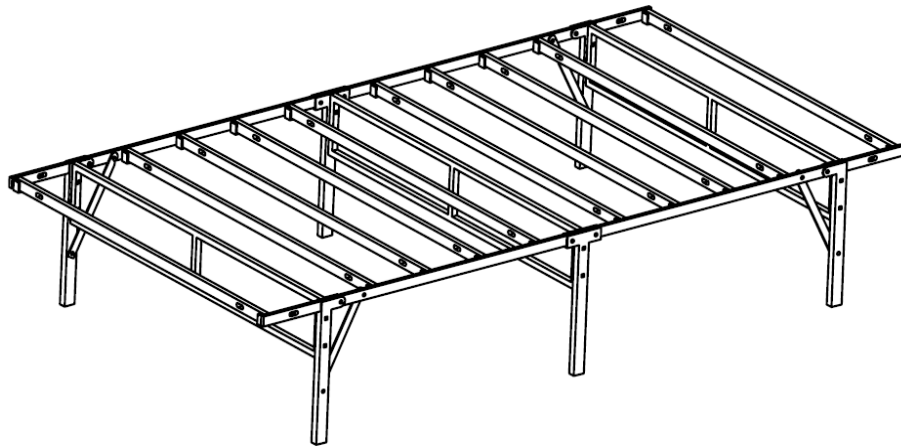







## ASSEMBLY INSTRUCTIONS

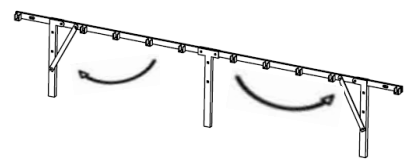
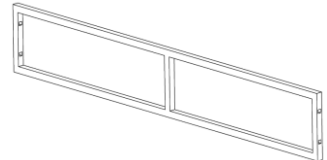
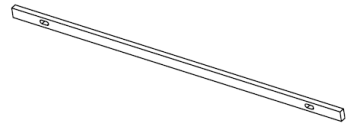



Twin Size



### Note:

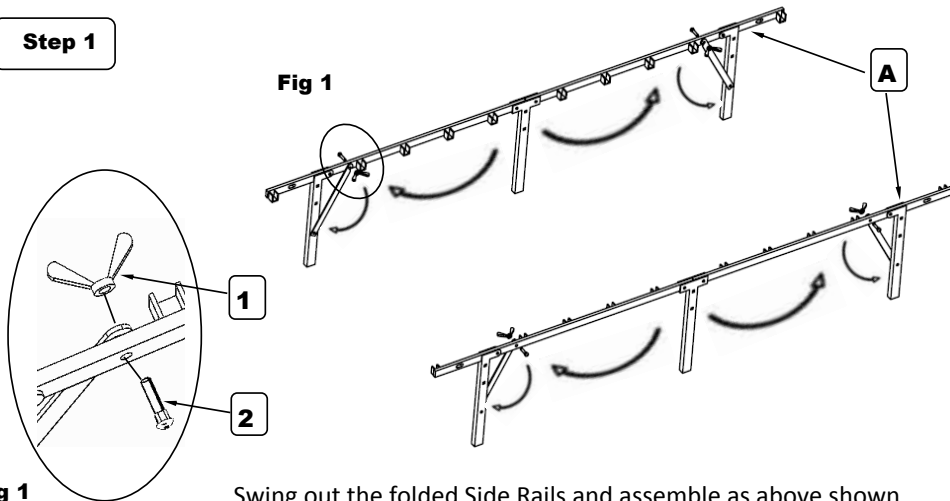
-  Save all packing until assembly is complete.
-  Follow instructions carefully.
-  We recommend to have 2 or more adults on hand for assembly.
-  Assemble on a clean non-marking protected surface.
-  Unpack all hardware and components to ensure that no parts are missing

## Parts List

Parts ID	Image	Description	Qty
A		Side Rail	2
B		Support Frame	3
C		Slats	10
Hardware Parts			
1		Wing Nut	16
2		Bolt 1 "	4
3		Bolt 1-1/2"	12

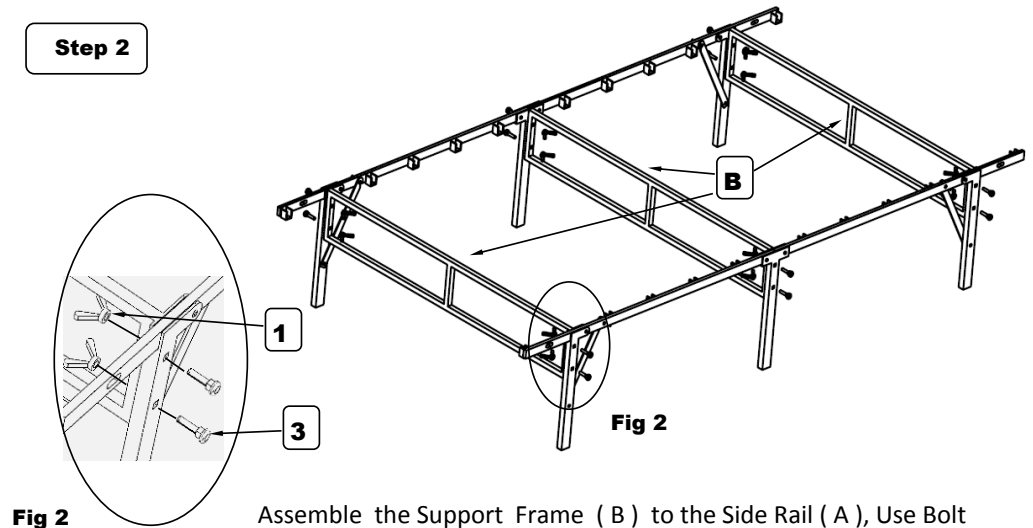
# Assembling

## Step 1



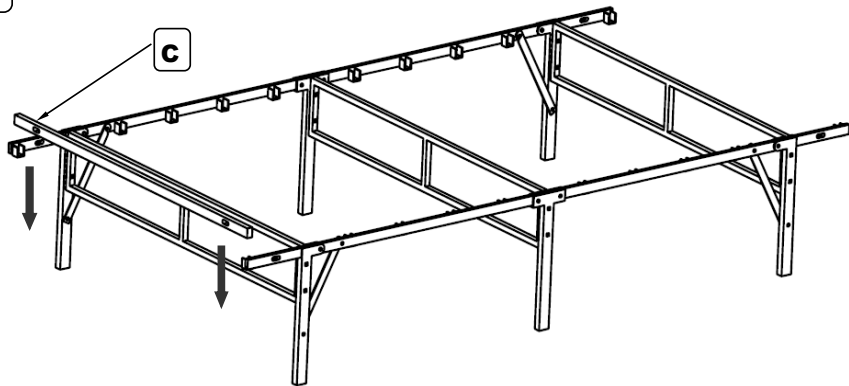
**Fig 1** Swing out the folded Side Rails and assemble as above shown Use Bolt #2 and Wing Nut #1 to lock Support Metal plate, See Fig 1

## Step 2



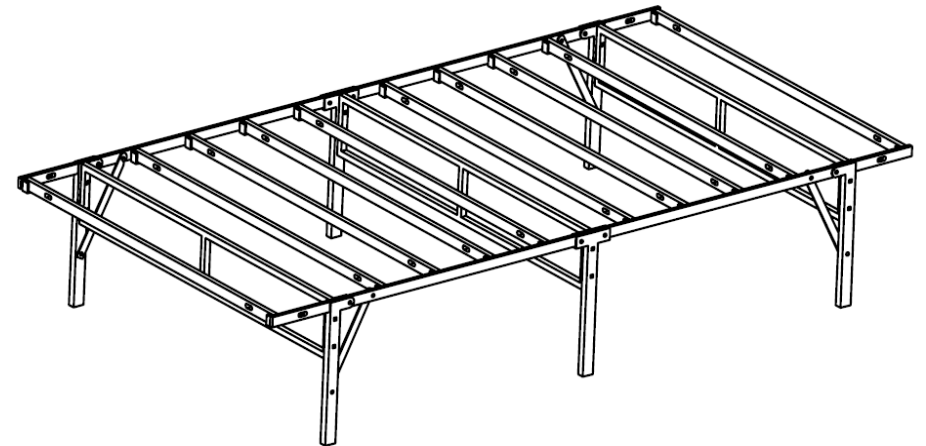
**Fig 2** Assemble the Support Frame ( B ) to the Side Rail ( A ), Use Bolt #3, and Wing Nut #1, See Fig 2

## Step 3



Put the Slats ( C ) to the U shape holder on Side Rail ( A )

## Finish



Your Platform Bed is ready for use. Please check the bolts or nuts during in use frequently, tighten it right away if any become loosened.