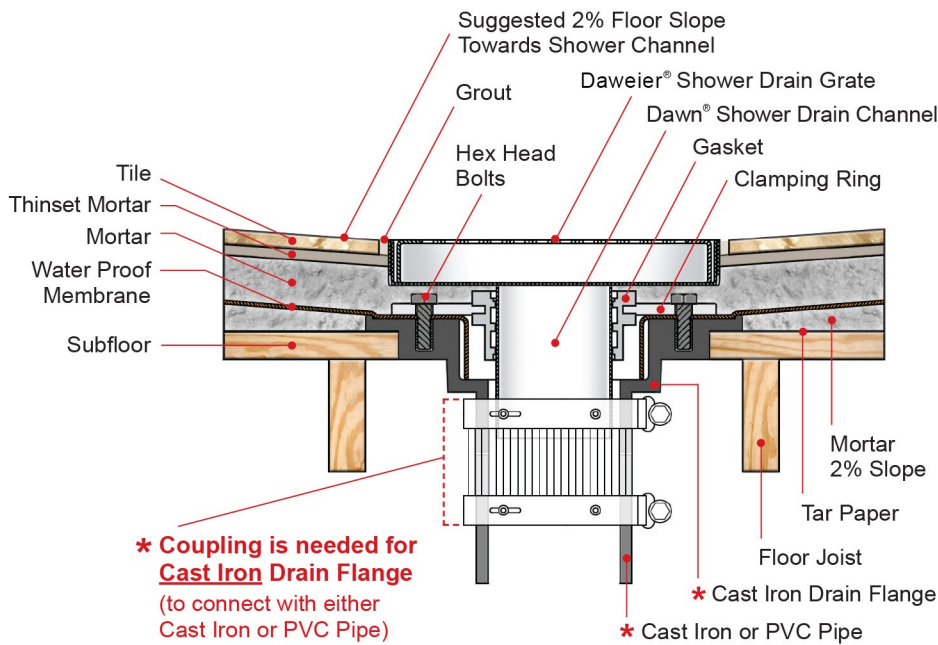


# Daweier® Shower Drain Installation Cross-section Diagram

## PREPARATION

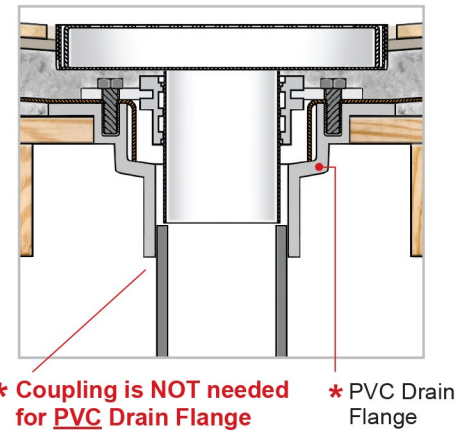
- Installation instructions are for reference only. Products should be installed by professional only. Before installing any products in your new or remodeled home, please make sure that you are in compliance with all local plumbing codes and regulations.
- Please check the condition of the product and its components prior to installation. Some items may be missing or sold separately. If there is any problem with the product and/or its components, please contact the store you purchased it from for a replacement. When you have finished inspecting the product, please return it to its original packaging until you are ready to install.
- If you will not be using a Dawn® Drain Base please make sure it is compatible with the application style of the Dawn® drain (Push-in/ Screw-in). If the drain is a push in you will need the compatible Dawn® Gasket (DGS000200).



## Material & Tools:

Safety glasses, assorted screwdrivers, silicone sealant, flooring mortar, and other tools as needed.

**IMPORTANT:** Recommended for professional installers only. The installer is responsible for installing the product safely.



## INSTALLATION

- Determine the desired position for your shower drain. If necessary, relocate rough-in pipes. Please remember to measure and leave at least 3-4 inches between the wall and base.
- Prepare your subfloor by stapling a layer of tar paper over the plywood substrate. Then, connect the flange to the sewer pipe and add a layer of mortar making sure you have suggested 2% slope towards the flange (Coupling is needed for cast iron flange, as shown in the diagram).
- Measure and press the waterproof membrane onto the first layer. Cut the membrane so that you have enough to go at least 6" up the wall. Make sure to cut holes on the membrane for the clamping ring screws and drain. Run a water test 24 hours after membrane is fitted to assure there are no leaks in the subfloor.
- Assemble the clamping ring and the drain channel (Threaded will screw-in; non-threaded will need a gasket to be pushed in).
- Apply a second layer of mortar with a 2% slope towards the drain, allowing enough space for the thinset and tile thickness so the drain is flushed to the surface of the finished Tile.
- Finish your shower by installing your tile to achieve your desired look.

We reserve the right to make any changes and corrections.  
© 2019 Dawn Kitchen & Bath Products, Inc.



**Daweier®**

By Dawn Kitchen & Bath Products, Inc.

Toll-Free 877.329.6872 • Fax 510.723.0099 • [dp@dawnusa.net](mailto:dp@dawnusa.net) • [www.dawnusa.net](http://www.dawnusa.net)