



10 : 00

---

estimated  
installation time



1 or more

---

people required

Ok, let's  
get started!



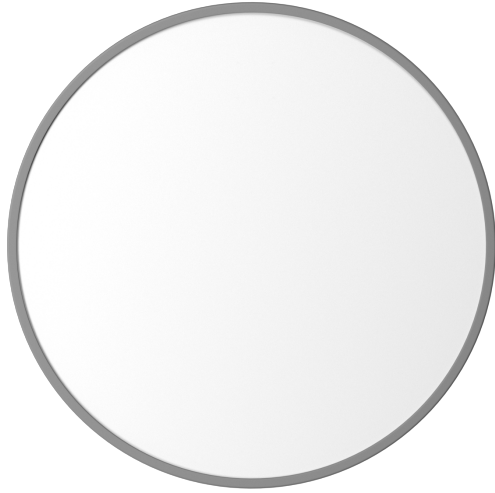
- Put on mood music!
- To prevent damage to product, use the clean side of package carton or rug as working surface.
- In the event of missing or damaged parts, delivery problems etc., please reach out to our team. We will be happy to fix the problem!

# care guide

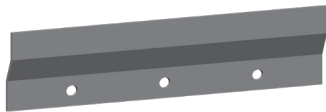
- Clean regularly with a soft and dry cloth.
- To protect finish, avoid use of abrasive cleaners.
- Wipe up spills immediately. Please!



product  
parts

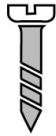


A  
Mirror  
x1



B  
French Cleat  
x1

# what's included



(C) - Screw  
x3



(D) - Wall Plug  
x3

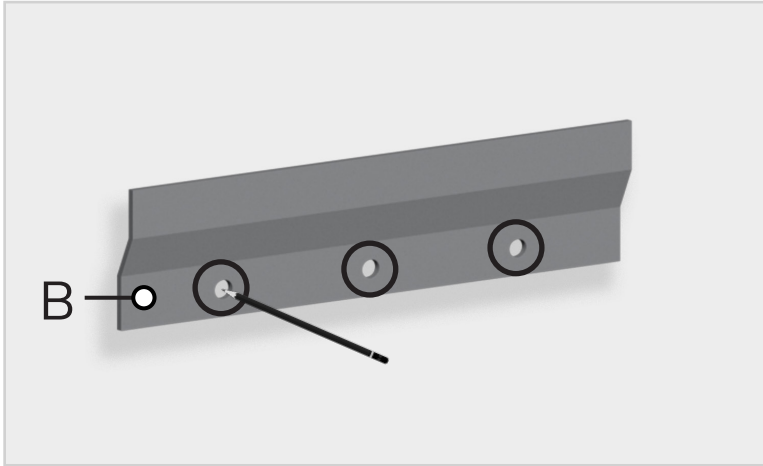
## installation instructions

Take a deep breath going in.  
This is easy even if you are not  
used to tools. Just follow these  
steps to the T, and the  
outcome will be  
worth it!



step 1:

Start by placing French cleat (B) on the wall you want to hang the mirror on. Taking this image as reference, mark three holes.



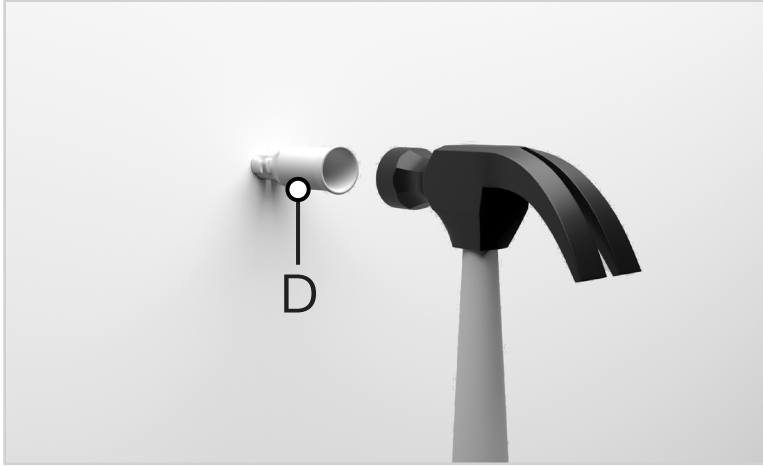
step 2:

Drill three holes on the points you just marked.



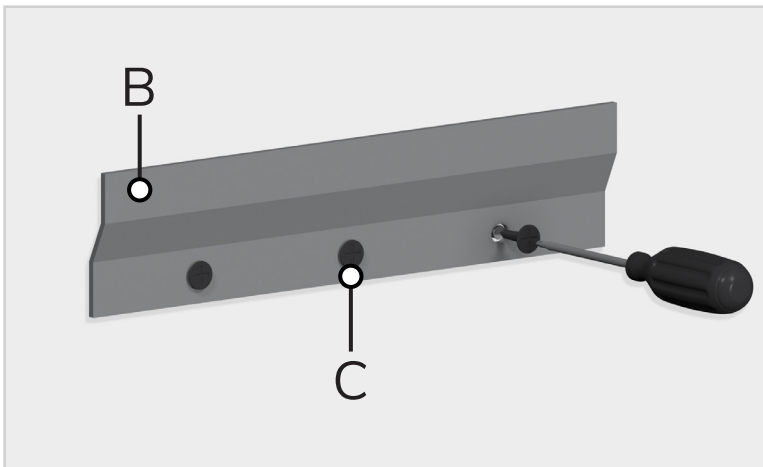
step 3:

Using a hammer, insert wall plugs (D) inside the holes.



step 4:

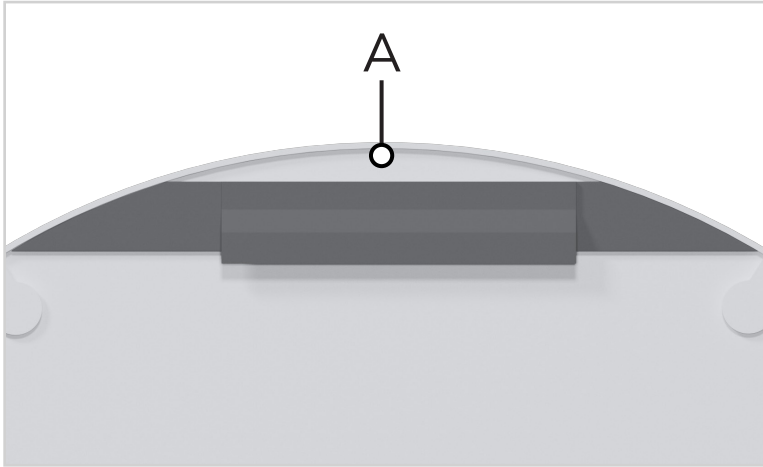
Fix screws (C) into the wall plugs (D). Use a screwdriver to make sure they are secure.





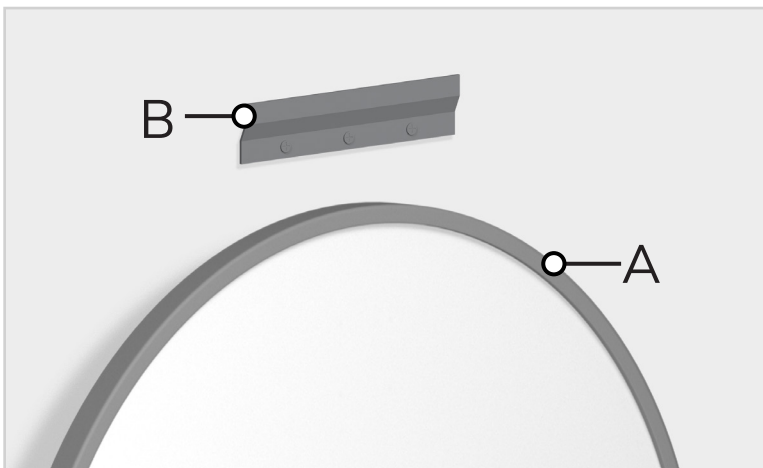
step 5:

Note the French cleat bracket prefixed on the mirror (A).



step 6:

Place the mirror's bracket into the French Cleat (B) on the wall.



---

**Voila! Your mirror is now installed and secure!**

you've  
got  
a home  
with us

